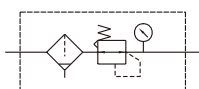


MAFR300 series

AIR UNITS (F.R.UNIT)



Symbol



Specification

Model	MAFR300	
Bore No.	8A	10A
Port size	1/4	3/8
Medium	Air	
Operating pressure range	0.05~1 MPa	
Proof pressure	1.5 MPa	
Regulated pressure range	0.05~0.85 MPa	
Ambient temperature	-5~+60°C (No freezing)	
Filter element	Standard: 5 μm Option: 40 μm	
Attachment	Pressure gauge (PG-40), bracket	
Weight	445 g	

※ Standard unit contains semi-auto-drain function when operating pressure below 0.05 MPa.

Order example

MAFR300 - 8A - N - □ - □

MODEL

BORE SIZE

8A: 1/4
10A: 3/8

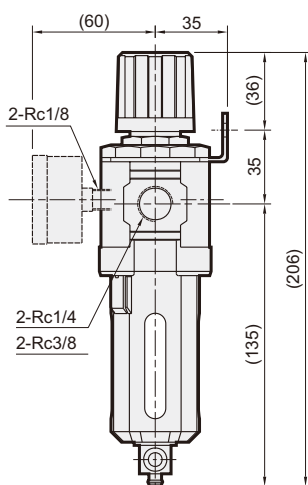
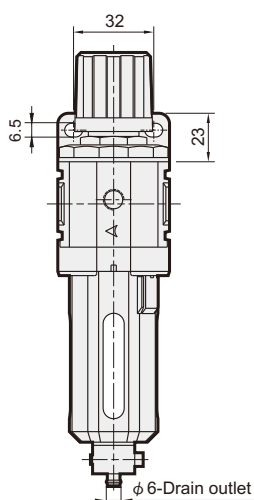
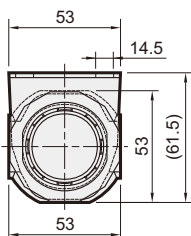
FILTER ELEMENT

Blank: 5 μm
40u: 40 μm

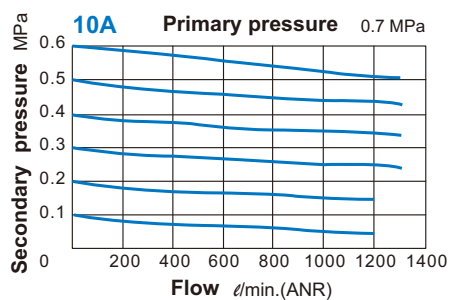
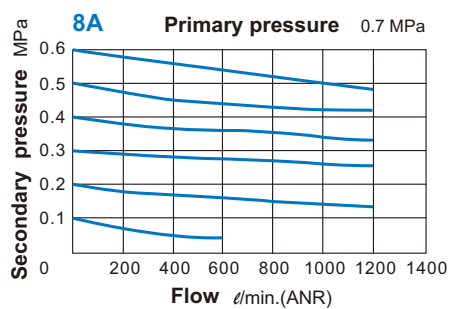
PORT THREAD

Blank: Rc thread
G: G thread
NPT: NPT thread

Blank: PC bowl
N: Nylon bowl



Flow feature



mindman