



EDB / EDC

All Digital AC Servo Systems



As a national support prior AC servo system research, development and production base, Estun Automation is devoted to R&D, manufacturing and sales of high-end products in the realm of motion control. We are holding completely with self-owned IPR technology of our AC servo systems which can be applied in CNC machine, textile machine, packing machine, printing machine, wood-working machine and robotization production line, etc., Now, Estun has established long-term strategy cooperation with many prestigious machine manufacturers and become their first cooperation option for motion control products home and abroad.



04 EDB/EDC All Digital AC Servo

08 EDB/EDC Series Servo Drive

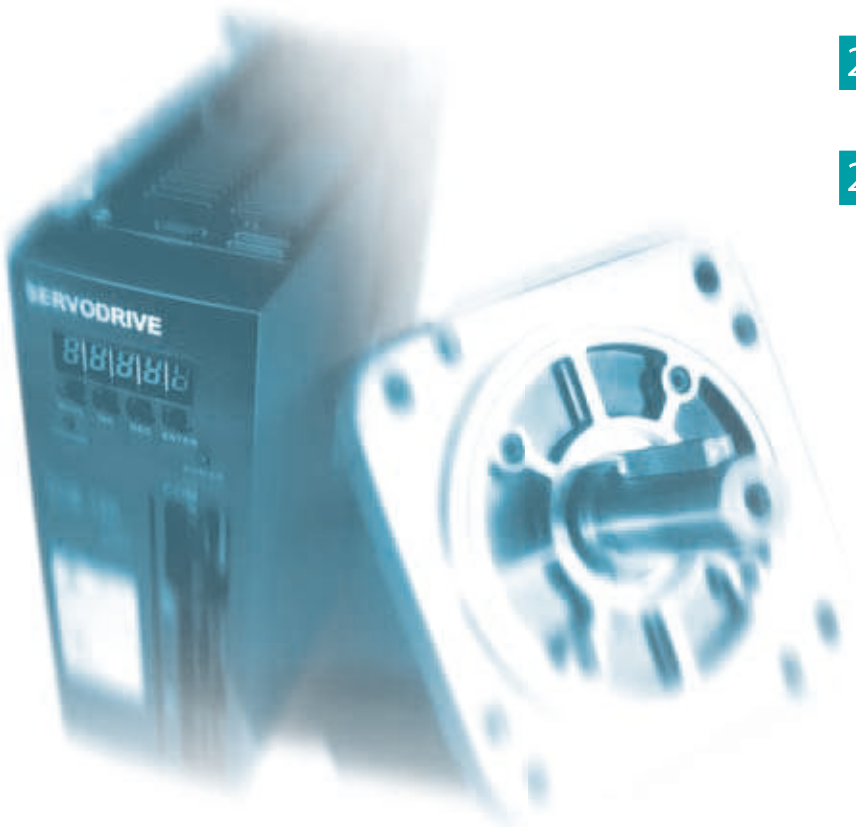
12 EMJ Series Servo Motor

15 EMG Series Servo Motor

18 EML Series Servo Motor

21 Mounting Dimension of Drives

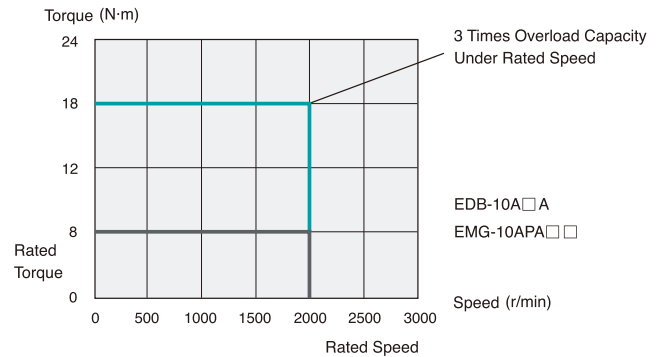
22 Typical Connection Example



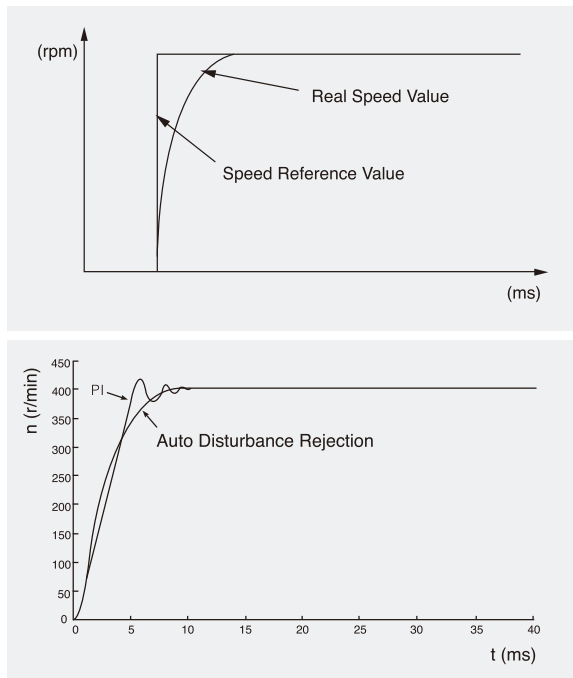
EDB/EDC All Digital AC Servo

High Overload Capacity

EDB/EDC servo drive utilizes a larger capacity industrial grade intelligent power modules (IPM) than a normal servo with the same power capacity. Therefore, they have stronger overload capacity, higher disturbance rejection capacity and larger startup torque. The servo drives assure three times overload capacity for types below 1.5kW and 2.5 times above 2kW at rated speed.



High Level



The most updated high speed DSP is used to meet the control requirements of high speed, high precision servo. With its auto disturbance rejection control and speed observation control algorithm, combined with compensation servo delay's forward-feedback control, reference smoothing technique, the servo drives have much better dynamic features and stabilities than those with conventional PI control. Servo's real fast response, high precision, high speed and high stability are realized. In addition, being equipped with automatic inertia identification, it makes adjustment operations easier.

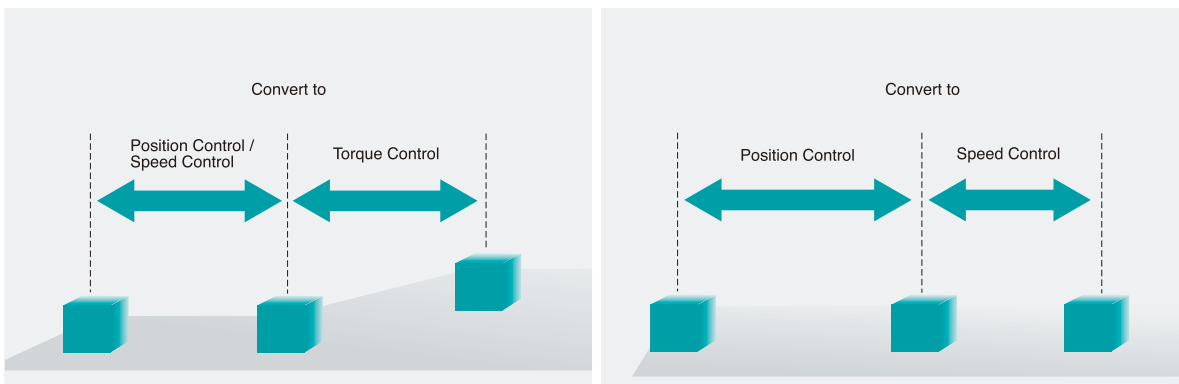
Communication Interface

Standard CAN bus interfaces are available in EDC series servo which makes it easy to get integrated into a distributed control system. Based on Modbus Protocols of RS485 or RS232 interfaces, the host can be connected up to 32 servos for network control & the transmission distance can reach 1200 meter in maximum(if RS485 interface be used). Besides, the host can also communicate with PLC, DCS, intelligent instruments, touch screen and so on for centralized monitor.



Flexibility

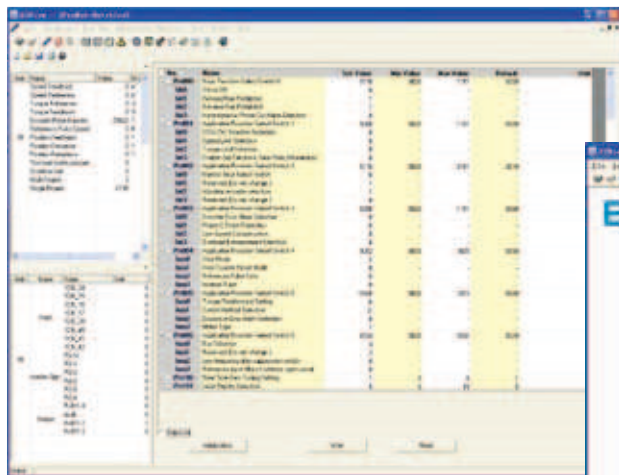
Position control, speed control and torque control are combined all in one in EDB servo drives. It's available to switch dynamically among different control modes and operation is more convenient and flexible.



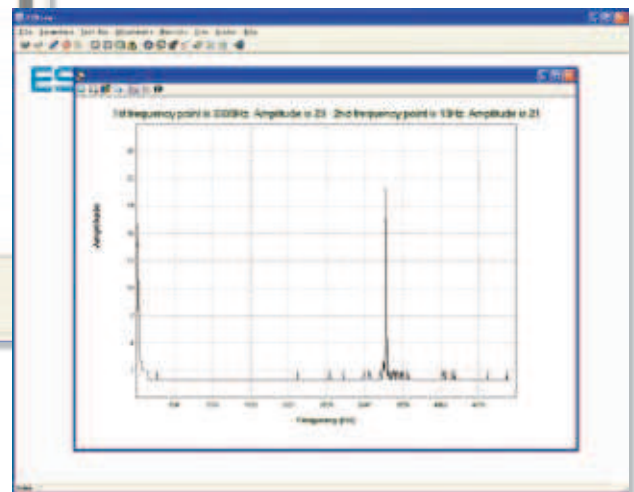
Windows-based ESView Computer Software

With special window-based computer software, the following functions are achieved:

- Parameter management
Fast and convenient operations to all parameters are available, such as editing, transmission, comparison and initialization.
- Monitoring
Real time monitoring of all I/O signals, alarm of the present and history record, and system status etc.
- Real time sampling
Real time sampling the curves of speed and torque facilitates the adjustment and analysis.
- Adjusting
Fast adjustment of gains is available.
Simple test is available when there is no position or speed reference input.



Parameter Management Interface



Sampling Diagram

Single Axis Positioning Function

The 16-node single axis positioning function is built inside the servo drives, and a touch screen can be connected directly to the RS-485 interface on the servo drives. Thus the costs is lower since an intermediate PLC unit is eliminated. With the touch screen, users may easily program every node's position, speed, acceleration, deceleration time, latency time, start point and stop point, moreover, the above info can be transmitted to the servo drive via RS-485 interface. Users may select to program absolute values or incremental values and select cycle run or not. Users may also use a reference point search function and program the go and back speed for reference point search and it's also available to use external signals for step changes. Users may develop their own application programs to meet different demands on different occasions.



EDB/EDC

Series Servo Drive

Model Features

- The Responding performance has been greatly improved with new functions like current forward-feed control, acceleration forward-feed control and speed observer.
- Updated with control mode switch function, effectively reduce overshoot and adjustment time by setting appropriate switch function.



Model Specification Description

EDC – 08

EDC Model Servo Drive

Rated Power

Sign	Specification
02	200W
04	400W
08	750W
10	1000W

A

Power Voltage

Sign	Specification
A	200VAC

P

Control Style

Sign	Specification
P	Position Control

E

Designing Sequence

Sign	Specification
E	Designing Sequence

EDB – 10

EDB Model Servo Drive

Rated Power

Sign	Specification
08	0.75kW
10	1.0kW
15	1.5kW
20	2.0kW
30	3.0kW
50	5.0kW

A

Power Voltage

Sign	Specification
A	200VAC

M

Control Style

Sign	Specification
P	Position Control
M	Speed Control, Torque Control, Position Control

A

Designing Sequence

Sign	Specification
A	Designing Sequence

Model Comparison Table

Servo Motor				Servo Drive			Application
Series	Power	Model	Single Phase(200V)	Three Phase(200V)			
Medium Inertia	Small	EMJ 3000min ⁻¹	200W	EMJ-02APA□□	EDC-02APE		SMM(Surface Mounting Machine) PCB Puncher Machine Robot Arm Handling Machinery Foodstuff Processing Machinery Textile Machinery
			400W	EMJ-04APB□□	EDC-04APE		
			750W	EMJ-08APB□□	EDC-08APE	EDB-08A□A	
			1000W	EMJ-10APB□□	EDC-10APE	EDB-10A□A	
	Medium	EMG 2000min ⁻¹	1.0kW	EMG-10APA□□	EDC-10APE	EDB-10A□A	Machine Tools Handling Machinery Foodstuff Processing Machinery Textile Machinery
			1.5kW	EMG-15APA□□		EDB-15A□A	
			2.0kW	EMG-20APA□□		EDB-20A□A	
			3.0kW	EMG-30APA□□		EDB-30A□A	
			5.0kW	EMG-50APA□□		EDB-50A□A	
		EML 1000min ⁻¹	1.0kW	EML-10APA□□		EDB-10A□A	Machine Tools Handling Machinery Foodstuff Processing Machinery Textile Machinery
			2.0kW	EML-20APA□□		EDB-20A□A	
			3.0kW	EML-30APA□□		EDB-30A□A	
		4.0kW	EML-40APA□□		EDB-50A□A		

Table of Cable Models

Servo Drive	Servo Motor	Power Cable Model	Encoder Cable Model	Communication Cable Model	Handheld Operator Model
EDC-02APE	EMJ-02APA□□	CDM-JB18 CDM-JE18(Option)	CMP-JB26 CMP-JE24(Option)	CSC-CC24A	OP-01A
EDC-04APE	EMJ-04APB□□				
EDC-08APE	EMJ-08APB□□				
EDC-10APE	EMJ-10APB□□				
EDC-10APE	EMG-10APA□□	CDM-GA16	CMP-GA26	BSC-CC24A	—
EDB-08A□A	EMJ-08APB□□	BDM-JB18	BMP-JB24		
EDB-10A□A	EMJ-10APB□□	BDM-JE18(Option)	BMP-JE24(Option)		
EDB-10A□A	EMG-10APA□□	BDM-GA16	BMP-GA24		
EDB-15A□A	EMG-15APA□□				
EDB-20A□A	EMG-20APA□□	BDM-GA14			
EDB-30A□A	EMG-30APA□□	BDM-GD12			
EDB-50A□A	EMG-50APA□□				
EDB-10A□A	EML-10APA□□	BDM-GA16			
EDB-20A□A	EML-20APA□□	BDM-GD14			
EDB-30A□A	EML-30APA□□	BDM-GD12			
EDB-50A□A	EML-40APA□□				

Technical Specification and Model of Servo Drives

Servo Drive Model		EDB Series	EDC Series	
Basic Data	Power Supply	Three Phase AC200V+10-15%, 50/60Hz	Single Phase AC200V+10-15%, 50/60Hz	
	Control Mode	SVPWM	SVPWM	
	Feedback	8 Cores (Wire-saving) Incremental Type Encoder (2500P/R)	8 Cores (Wire-saving) Incremental Type Encoder (2500P/R)	
	Working Condition	Operating / Storage Temperature	0~55℃ / -20~85℃	0~55℃ / -20~85℃
		Operating / Storage Humidity	Below 90%RH (Non-condensing)	Below 90%RH (Non-condensing)
		Shock / Vibration Resistance	4.9m/s ² / 19.6m/s ²	4.9m/s ² / 19.6m/s ²
	Structure	Base Mounted	Base Mounted	
Speed Control Range	1:5000	1:5000		
Speed Control Mode	Speed Regulation	Load Regulation	0~100%: Below 0.01%(At Rated Speed)	0~100%: Below 0.01%(At Rated Speed)
		Voltage Regulation	Rated speed ±10%: 0% (At Rated Speed)	Rated Speed ±10%: 0% (At Rated Speed)
		Temperature Regulation	25±25℃: Below 0.1% (At Rated Speed)	0~40℃: Below 0.1% (At Rated Speed)
	Frequency Characteristics	250Hz (J _L ≤J _M)	250Hz (J _L ≤J _M)	
	Software Startup Time Setting	0~10s (Set Acceleration and Deceleration Individually)	—	
	Speed Ref. Input	Reference Voltage	±10V DC	—
		Input Resistance	40KΩ	—
		Loop Time Constant	47μS	—
	Torque Ref. Input	Reference Voltage	±10V DC	—
		Input Resistance	40KΩ	—
		Loop Time Constant	47μS	—
Node Speed Reference	Reverse Rotation Direction Selection	Use P-CON Signal	—	
	Speed Selection	Use FWD/REV current limit signal (select speed 1~3), when both not OFF, select stop or other control mode	—	
Position Control Mode	Reference Pulse	Type	SIGN+PULSE Train, Sin. Pulse Phase A and Phase B, CCW+CW Pulse Train	SIGN+PULSE Train, Sin. Pulse Phase A and Phase B, CCW+CW Pulse Train
		Pulse Buffer	Line Driving (+5V Level) . Open Collector	Line Driving (+5V Level) . Open Collector
		Pulse Frequency	Maxi.500Kpps (Difference) / 200Kpps (Collector)	Maxi.500Kpps (Difference) / 200Kpps (Collector)

Next

Servo Drive Model		EDB Series	EDC Series
Position Control Mode	Control Signal	CLR Clear	CLR Clear
	Offset Setting	0~300r/min (Set Resolution as 1r/min)	—
	Feed Forward Compensation	0~100% (Set Resolution as 1%)	—
	In Position Error Setting	0~500 Reference Unit (Set resolution as 1 reference unit)	—
I/O Signals	Position Output	Output Signal	Phase A, Phase B and Phase C: Line Driving Output
		Dividing Ratio	(1~2500) / 2500
	Sequence Control Input	Servo ON, Proportional Control or Control Mode Switch, Forward Run Prohibited, Reverse Run Prohibited, Alarm Reset, FWD Torque External Limit, REV Torque External Limit, Zero Clamp Signal	Servo ON, Alarm Reset, Error Counter Clear Signal, Zero Clamp Signal.
	Sequence Control Output	Servo Alarm, Servo Ready, Positioning Complete (Speed Coincidence), Brake Release, Limiting Torque, Motor Run Detection	Servo Alarm, Positioning Complete (Speed Coincidence), Brake Release, Limiting Torque
Built-in Function	COM Function	With RS485 interface for communication with host controller's special software, parameter setting, run operation and status display can be done in windows mode. Compatible with modbus com protocol.	With RS232 interface for communication with host controller's special software, parameter setting, run operation and status display can be done in windows mode. Compatible with modbus com protocol and CANopen protocol.
	LED Display	Charge, Power, Five 7-segment LEDs and 4 Pushbuttons (Digital Operation Panel)	Charge, Power & ALM Indicator, Five 7 Segment Tube (On Handheld Operator)
	Braking	Dynamic Brake, Overtravel Protection	Dynamic Brake
	Protection	Overcurrent, Overload, Overspeed, Under Voltage, Overvoltage, Encoder Error, Parameter Error, etc.	IPM Power Module Error, Overload, Overspeed, Voltage Error, Position Error Counter Overflow, Encoder Disconnected, Parameter Damaged, etc.
	Regenerative Treatment Function	Built in Regenerative Resistance	—
	Other	Zero Clamp (With 16 Internal Position Nodes)	—

Model Features

- Medium inertia
- Peak torque up to 300% of rated torque
- Various models (200W~1000W, with brake , etc.)
- Run at speed of up to 4500r/min
- Equipped with wire-saving encoder(2500P/R)

Applications

- SMM(surface mounting machine)
- Pcb puncher machine
- Robot arm
- Handing machinery
- Foodstuff processing machinery
- Textile machinery



Model Specification Description

EMJ - 08	A	P	B	1	1	WR	
EMJ Model Servo Motor	Rated Power	Power Voltage	Encoder	Designing Sequence	Shaft End	Optional Parts	Connector

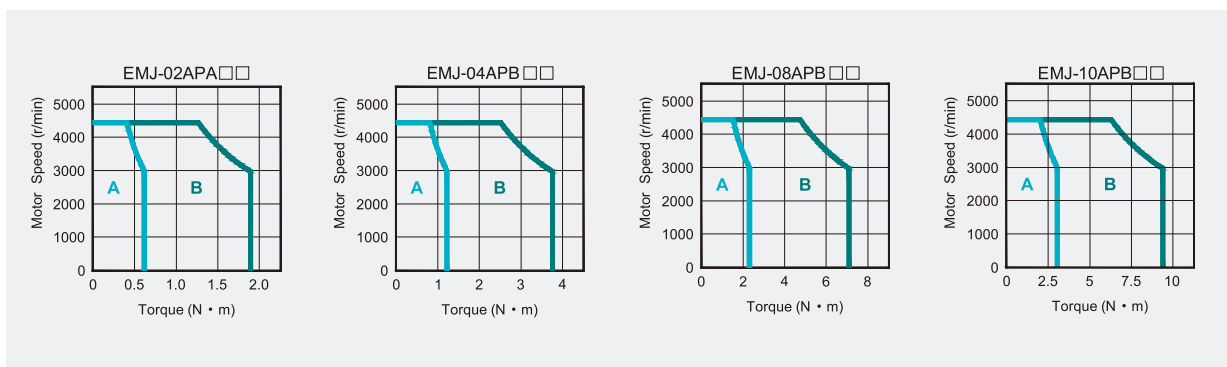
Sign	Spec.	Sign	Spec.	Sign	Spec.	Sign	Spec.	Sign	Spec.
02	200W	A	200VAC	P	Incremental Wire-saving Type: 2500P/R	A,B	Designing Sequence	1	Flat, Without Key (Standard)
04	400W							2	Flat, With Key, with screw thread
08	750W							3	With Brake (DC24V)
10	1000W							4	With Oil Seal, With Brake (DC24V)
								1	None
								2	With Oil Seal
								3	With Brake (DC24V)
								4	With Oil Seal, With Brake (DC24V)
									Standard
								WR	Water-proof connector

Rated Value and Specification

Voltage		200VAC			
Servo Motor Model	EMJ-	02APA□□	04APB□□	08APB□□	10APB□□
Rated Output Power	W	200	400	750	1000
Rated Torque	N.m	0.64	1.27	2.40	3.18
Instantaneous Peak Torque	N.m	1.92	3.82	7.16	9.55
Rated Current	Arms	1.4	2.8	4.0	5.3
Instantaneous Peak Current	Arms	4.2	8.4	12.0	15.9
Rated Rotated Speed	min ⁻¹	3000			
The Highest Rotated Speed	min ⁻¹	4500			
Rotator Rotated Inertia	X10 ⁻⁴ kg/m ²	0.19 (0.23)	0.31 (0.35)	1.35 (1.47)	1.74 (1.87)
Encoder	Standard	Incremental wire-saving type: 2500P/R			
Heat Endurance Level		F			
Environment Temperature		0 to + 40°C (Non-iced)			
Environment Humidity		20 to 80% RH (No dew)			
Protection Method		Totally enclosed, self-cooled, IP65(Except for shaft opening, when not equipped with oil seal; Except for encoder, when not equipped with water-proof connector.)			
Anti-Vibration Performance		49m/s ²			

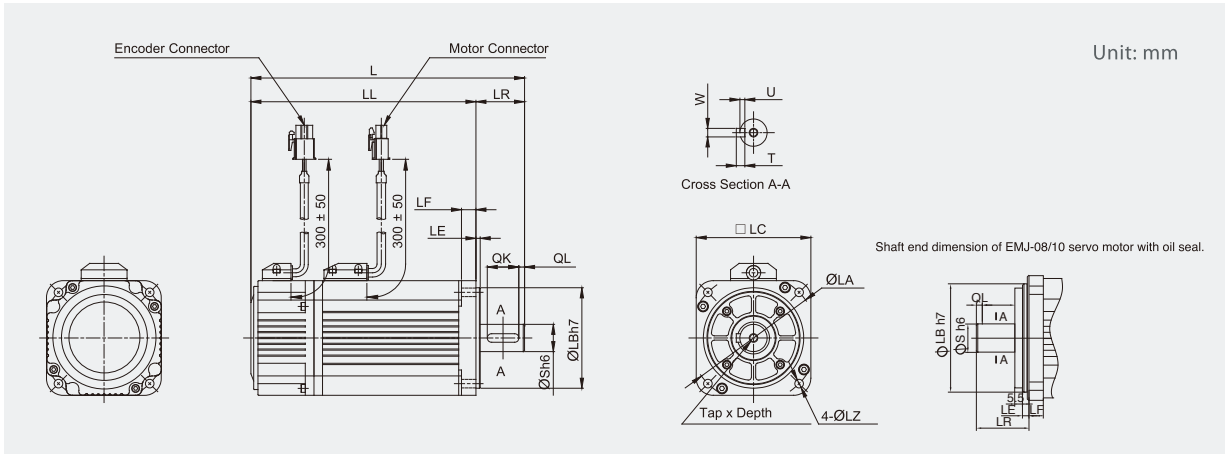
Notes: The values in parentheses are for servo motors with holding brakes.

Torque-Speed Feature



A: Continuous Working Area B: Repeatedly Working Area

Dimension



Unit: mm

Model EMJ-	L	LL	Flange Side							S	TapxDepth	Key				
			LR	LE	LF	LC	LA	LB	LZ			QK	QL	W	T	U
02APA□□	141(181)	111(151)	30	3	6	60	70	50	5.5	14	M5×10L	16	4	5	5	3
04APB□□	161(201)	131(171)	30	3	6	60	70	50	5.5	14	M5×10L	16	4	5	5	3
08APB□□	170(213)	135(178)	35	3	9	80	90	70	6	19	M6×15L	22	4	6	6	3.5
10APB□□	188(231)	153(196)	35	3	9	80	90	70	6	19	M6×15L	22	4	6	6	3.5

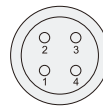
Notes: The dimension in parentheses are for servo motors with holding brakes.



Motor Connector Specification

- Plug: 172167-1(AMP)
- Pin: 170360-1(AMP)

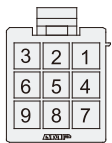
Pin No.	Signal	Color
1	U	Red
2	V	Blue
3	W	White
4	FG	Green/Yellow



Motor Connector Specification-Waterproof (Option)

- Plug: CGRSB-4BFMA-SL8001

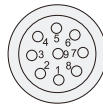
Pin No.	Signal	Color
1	U	Red
2	V	Blue
3	W	White
4	FG	Green/Yellow



Encoder Connector Specification

- Plug: 172169-1(AMP)
- Pin: 170359-3(AMP)

Pin No.	Signal	Color
1	A+	Blue
2	B+	Green
3	C+	Yellow
4	A-	Blue/Black
5	B-	Green/Black
6	C-	Yellow/Black
7	PG5V	Red
8	PG0V	Black
9	FG	Shield



Motor Connector Specification-Waterproof (Option)

- Plug: CGRSD-9BFMA-SL8001

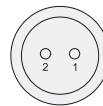
Pin No.	Signal	Color
1	A+	Blue
2	A-	Blue/Black
3	B+	Green
4	B-	Green/Black
5	C+	Yellow
6	C-	Yellow/Black
7	PG5V	Red
8	PG0V	Black
9	FG	Shield



Brake Connector Specifications

- Plug: 172165-1(AMP)
- Pin: 170360-1(AMP)

Pin No.	Signal	Color
1	B1	Blue
2	B2	White



Brake Connector Specification-Waterproof (Option)

- Plug: CGRSB-2BFMA-SL8001

Pin No.	Signal	Color
1	B1	Blue
2	B2	White

EMG Series Servo Motor

Model Features

- Be used to drive the feed shaft of various machinery
- Various products (1.0kW~5.0kW, with brake, etc.)
- Equipped with wire-saving encoder (2500P/R)
- Standard configuration is IP65

Applications

- Machine tools
- Handling machinery
- Foodstuff processing machinery
- Textile machinery



Model Specification Description

EMG-10	A	P	A	1	1	
EMG Model Servo Motor	Rated Power	Power Voltage	Encoder	Designing Sequence	Shaft End	Optional Parts

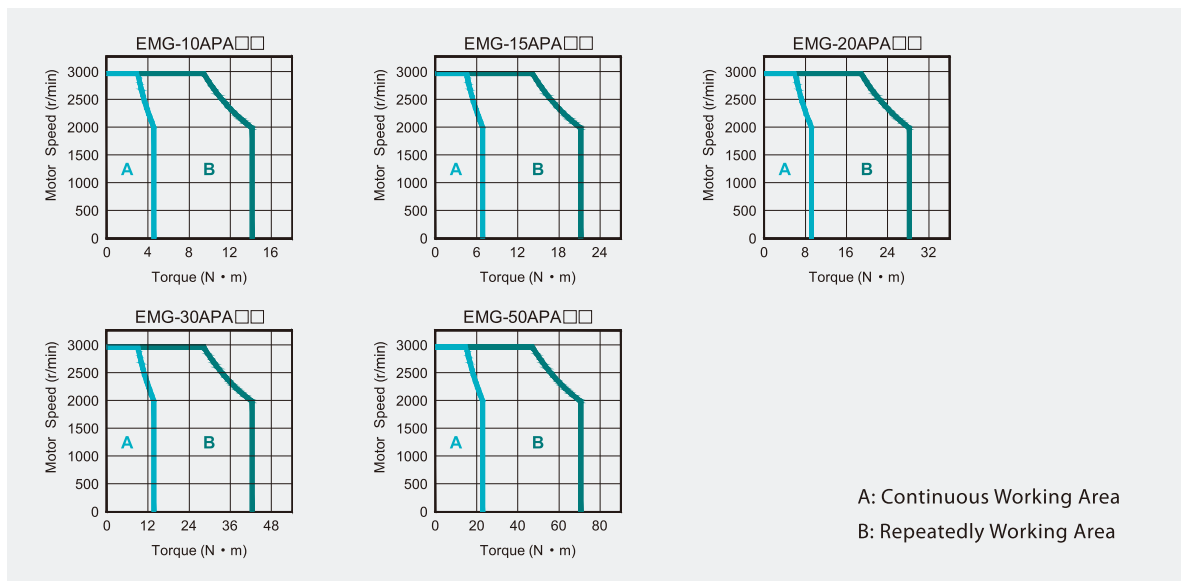
Sign	Spec.	Sign	Spec.	Sign	Spec.	Sign	Spec.	Sign	Spec.	Sign	Spec.
10	1.0kW	A	200VAC	P	Incremental Wire-saving Type: 2500P/R	A	Designing Sequence	1	Flat, Without Keys (Standard)	1	None
15	1.5kW							2	Flat, With Keys, with screw thread	2	With Oil Seal
20	2.0kW									3	With Brake (DC24V)
30	3.0kW									4	With Oil Seal, With Brake (DC24V)
50	5.0kW										

Rated Value and Specification

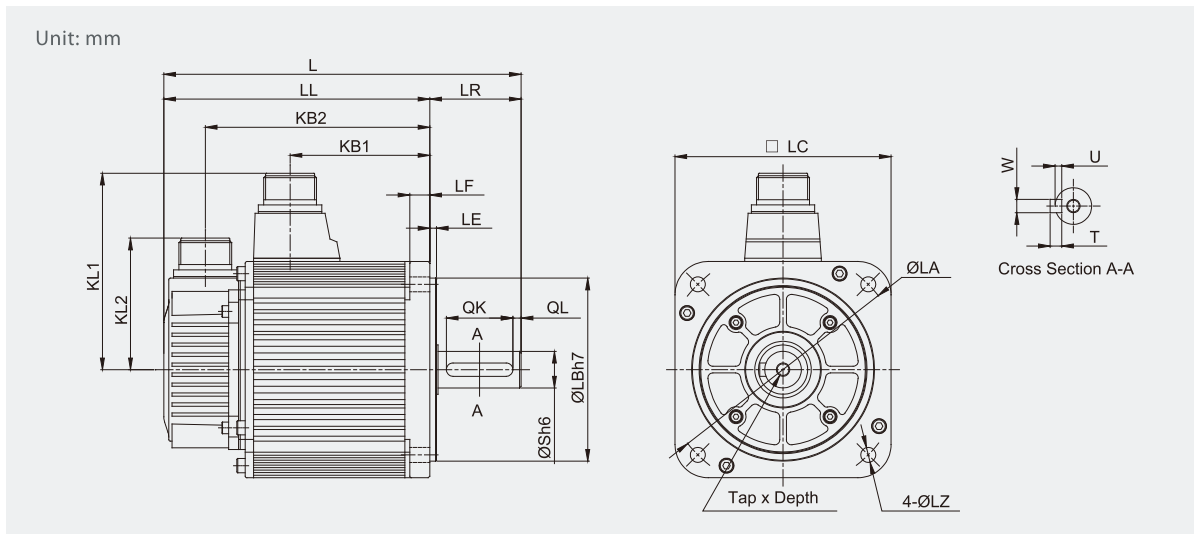
Voltage		200VAC				
Servo Motor Model	EMG-	10APA□□	15APA□□	20APA□□	30APA□□	50APA□□
Rated Output Power	kW	1.0	1.5	2.0	3.0	5.0
Rated Torque	N.m	4.78	7.16	9.55	14.3	23.9
Instantaneous Peak Torque	N.m	14.3	21.5	28.7	43.0	71.6
Rated Current	Arms	6.0	9.0	12.0	18.0	28.0
Instantaneous Peak Current	Arms	18.0	27.0	36.0	54.0	84.0
Rated Rotated Speed	min ⁻¹	2000				
Peak Rotated Speed	min ⁻¹	3000				
Rotator Rotated Inertia	X10 ⁻⁴ kg/m ²	10 (10.6)	14.5 (15.1)	19.0 (19.6)	41.3 (44.5)	65.7 (68.9)
Feedback Unit	Standard	Incremental cable-saved type: 2500P/R				
Heat-Endurance Level		F				
Environment Humidity Temperature		0 to + 40°C (Non-iced)				
Environment Humidity		20 to 80% RH (No dew)				
Protection Method		Totally enclosed, self-cooled, IP65(Except for shaft opening, when not equipped with oil seal.)				
Anti-Vibration Performance		24.5m/s ²				

Notes: The values in parentheses are for servo motors with holding brakes.

Torque-Speed Feature



Dimension

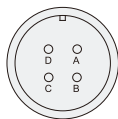


Model EMG-	L	LL	KB1	KB2	KL1	KL2	Flange Side							S	TapxDepth	Key				
							LR	LE	LF	LC	LA	LB	LZ			QK	QL	W	T	U
10APA□□	215(269.5)	160(214.5)	84	135(189.5)	118	79	55	4	12	130	145	110	9	22	M6x20L	40	5	8	7	4
15APA□□	240(294.5)	185(239.5)	109	160(214.5)	118	79	55	4	12	130	145	110	9	22	M6x20L	40	5	8	7	4
20APA□□	265(319.5)	210(264.5)	134	185(239.5)	118	79	55	4	12	130	145	110	9	22	M6x20L	40	5	8	7	4
30APA□□	307(378)	228(299)	143	203(274)	140	79	79	3.2	18	180	200	114.3	13.5	35	M8x16L	55	6	10	8	5
50APA□□	347(418)	268(339)	183	243(314)	140	79	79	3.2	18	180	200	114.3	13.5	35	M8x16L	55	6	10	8	5

Notes: The dimension in parentheses are for servo motors with holding brakes.

Motor Connector Specification

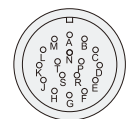
- Receptacle: MS3102A20-4P (LC=130)
MS3102A22-22P (LC=180)
- Plug: MS3108B20-4S (LC=130)
MS3108B22-22S (LC=180)
- Cable Clamp: MS3057-12A



Pin No.	Signal
A	U
B	V
C	W
D	FG

Encoder Connector Specification

- Receptacle: MS3102A20-29P
- Plug: MS3108B20-29S
- Cable Clamp: MS3057-12A



Incremental Encoder

Pin No.	Signal	Color
A	A+	Blue
B	A-	Blue/Black
C	B+	Green
D	B-	Green/Black
E	C+	Yellow
F	C-	Yellow/Black
G	PG0V	Black
H	PG5V	Red
J	FG	Shield

Brake Connector Specification

- Receptacle: MS3102A10SL-3P
- Plug: MS3106A10SL-3S
- Cable Clamp: MS3057-4A



Pin No.	Signal
A	B1
B	B2
C	-

Model Features

- Be used to drive the feed shaft of various machinery
- Various products (1.0kW~4.0kW, with brake, etc.)
- Equipped with wire-saving encoder (2500P/R)
- Standard configuration is IP65

Applications

- Machine tools
- Handling machinery
- Foodstuff processing machinery
- Textile machinery



Model Specification Description

EML-10 A P A 1 1

EML Model Servo Motor Rated Power Power Voltage Encoder Designing Sequence Shaft End Optional Parts

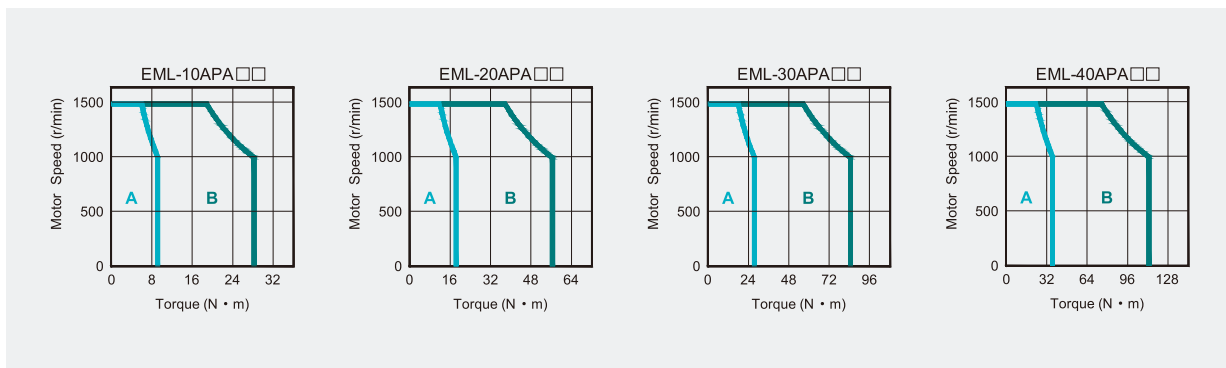
Sign	Spec.	Sign	Spec.	Sign	Spec.	Sign	Spec.	Sign	Spec.	Sign	Spec.
10	1.0kW	A	200VAC	P	Incremental Wire-saving Type: 2500P/R	A	Designing Sequence	1	Flat, Without Keys (Standard)	1	None
20	2.0kW							2	Flat, With Keys, with screw thread	2	With Oil Seal
30	3.0kW									3	With Brake (DC24V)
40	4.0kW									4	With Oil Seal, With Brake (DC24V)

Rated Value and Specification

Voltage		200VAC			
Servo Motor Model	EML-	10APA□□	20APA□□	30APA□□	40APA□□
Rated Output Power	kW	1.0	2.0	3.0	4.0
Rated Torque	N.m	9.55	19.1	28.7	38.2
Instantaneous Peak Torque	N.m	28.7	57.3	86.0	114.6
Rated Current	Arms	6.0	12.0	18.0	24.0
Instantaneous Peak Current	Arms	18.0	36.0	54.0	72.0
Rated Rotated Speed	min ⁻¹	1000			
The Highest Rotated Speed	min ⁻¹	1500			
Rotator Rotated Inertia	X10 ⁻⁴ kg/m ²	19.0 (19.6)	53.5 (56.7)	77.8 (81.0)	102.2 (105.4)
Feedback Unit	Standard	Incremental cable-saved type: 2500P/R			
Heat Endurance Level		F			
Environment Temperature		0 to + 40°C (Non-iced)			
Environment Humidity		20 to 80% RH (No dew)			
Protection Method		Totally enclosed, self-cooled, IP65(Except for shaft opening, when not equipped with oil seal.)			
Anti-Vibration Performance		24.5m/s ²			

Notes: The values in parentheses are for servo motors with holding brakes.

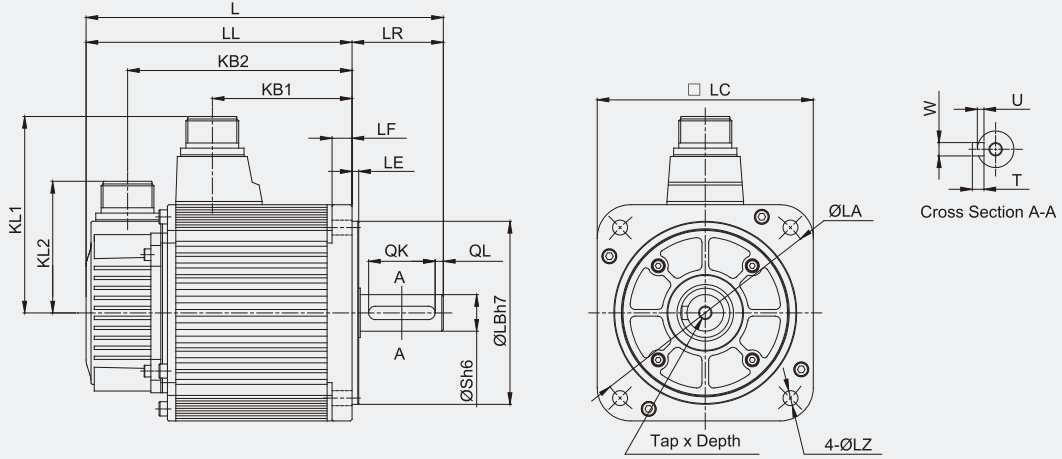
Torque-Speed Feature



A: Continuous Working Area B: Repeatedly Working Area

Dimension

Unit: mm

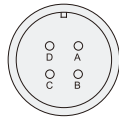


Model EML-	L	LL	KB1	KB2	KL1	KL2	Flange Side							S	Tap×Depth	Key				
							LR	LE	LF	LC	LA	LB	LZ			QK	QL	W	T	U
10APA□□	265(319.5)	210(264.5)	134	185(187.5)	118	79	55	4	12	130	145	110	9	22	M6×20L	40	5	8	7	4
20APA□□	332(401)	253(322)	168	228(245)	140	79	79	3.2	18	180	200	114.3	13.5	35	M8×16L	55	6	10	8	5
30APA□□	372(443)	293(364)	208	268(287)	140	79	79	3.2	18	180	200	114.3	13.5	35	M8×16L	55	6	10	8	5
40APA□□	412(478)	333(399)	243	308(322)	140	79	79	3.2	18	180	200	114.3	13.5	35	M8×16L	55	6	10	8	5

Notes: The dimension in parentheses are for servo motors with holding brakes.

Motor Connector Specification

- Receptacle:
 - MS3102A20-4P (LC=130)
 - MS3102A22-22P (LC=180)
- Plug:
 - MS3108B20-4S (LC=130)
 - MS3108B22-22S (LC=180)
- Cable Clamp: MS3057-12A



Pin No.	Signal
A	U
B	V
C	W
D	FG

Brake Connector Specification

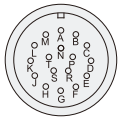
- Receptacle: MS3102A10SL-3P
- Plug: MS3106A10SL-3S
- Cable Clamp: MS3057-4A



Pin No.	Signal
A	B1
B	B2
C	-

Encoder Connector Specification

- Receptacle: MS3102A20-29P
- Plug: MS3108B20-29S
- Cable Clamp: MS3057-12A



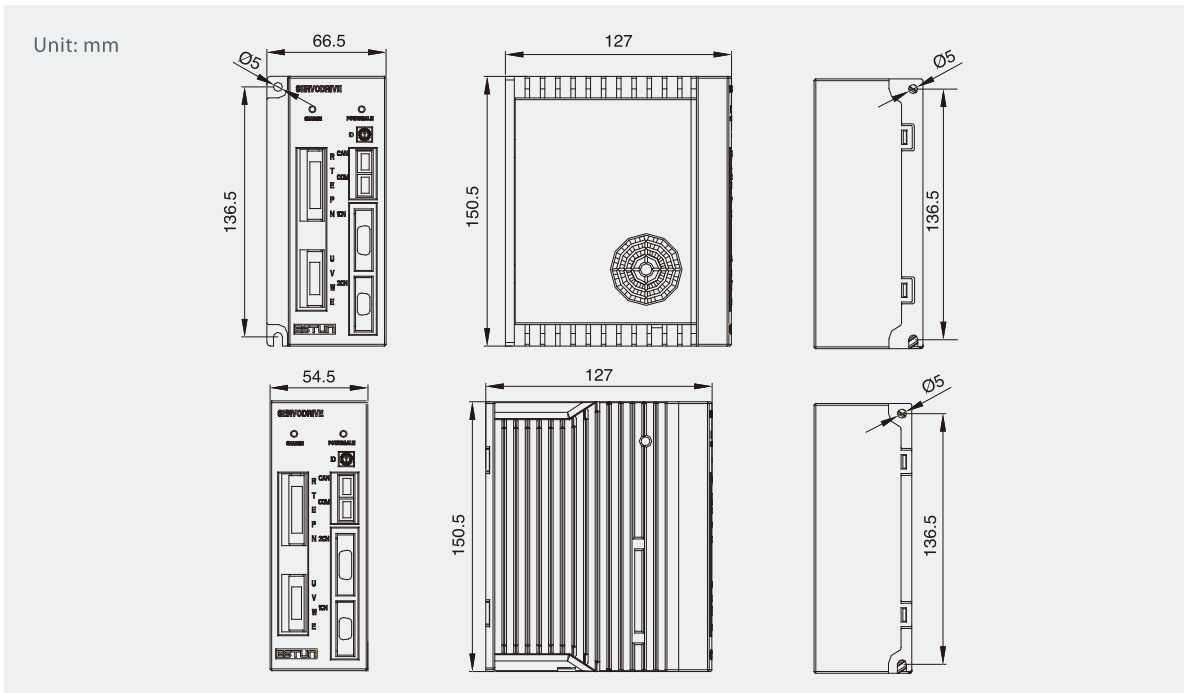
Incremental Encoder

Pin No.	Signal	Color
A	A+	Blue
B	A-	Blue/Black
C	B+	Green/Black
D	B-	Green
E	C+	Yellow
F	C-	Yellow/Black
G	PG0V	Black
H	PG5V	Red
J	FG	Shield

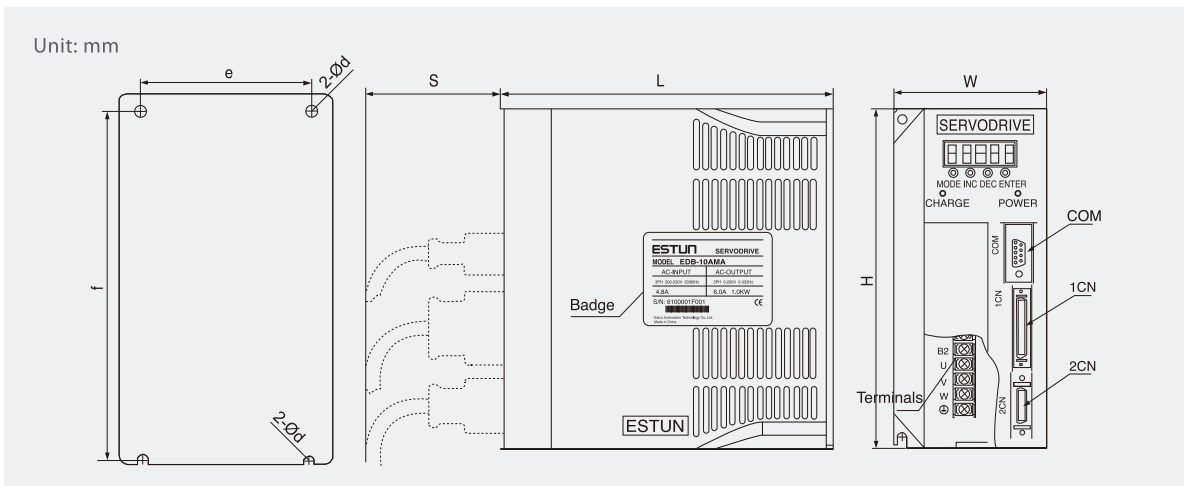
EDB/EDC

Mounting Dimension of Drives

Mounting Dimension of EDC Servo Drives

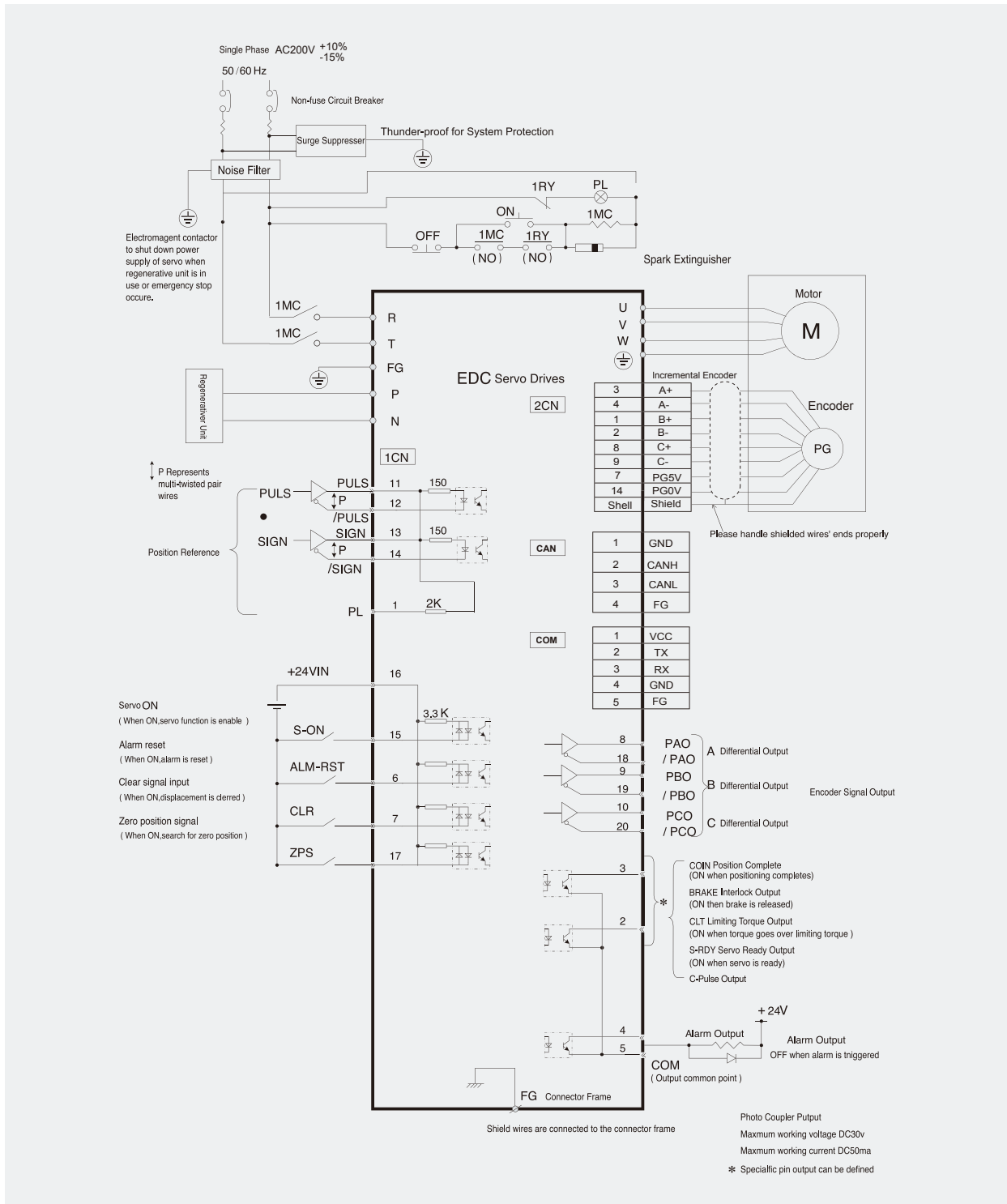


Mounting Dimension of EDB Servo Drives



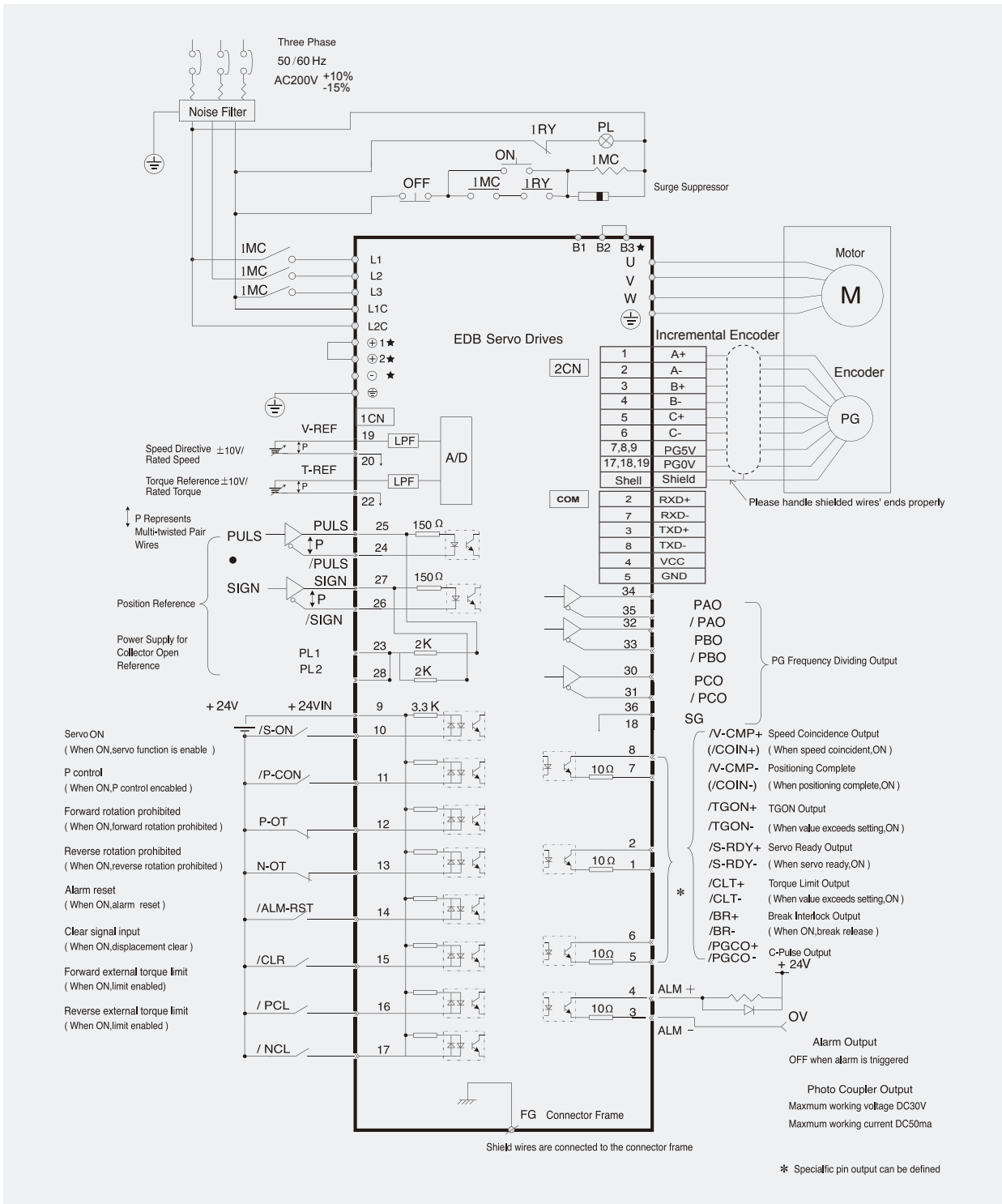
Model	L	W	H	S	e	f	d
EDB-08A□A, EDB-10A□A, EDB-15A□A	185	85	187.5	75	75	177.5	5
EDB-20A□A, EDB-30A□A, EDB-50A□A	207	123	270.5	75	111	258.5	6

Typical Connection Example of EDC Servo



● Notes: External Current-limiting Resistance is Required when Servopack is Collector Open Output.

Typical Connection Example of EDB Servo



★ Notes: EDB-08/10/15, there are no terminals: B3, ⊕1, ⊕2, ⊖, no need of any connection.

● Notes: External Current-limiting Resistance is Required when Servopack is Collector Open Output.



ESTUN

Drive Your Success!

Mission — We are offering Accuracy & Efficiency!

Vision — Enjoy your life from Automation!

Values — Focus, Integrity, Growing together!