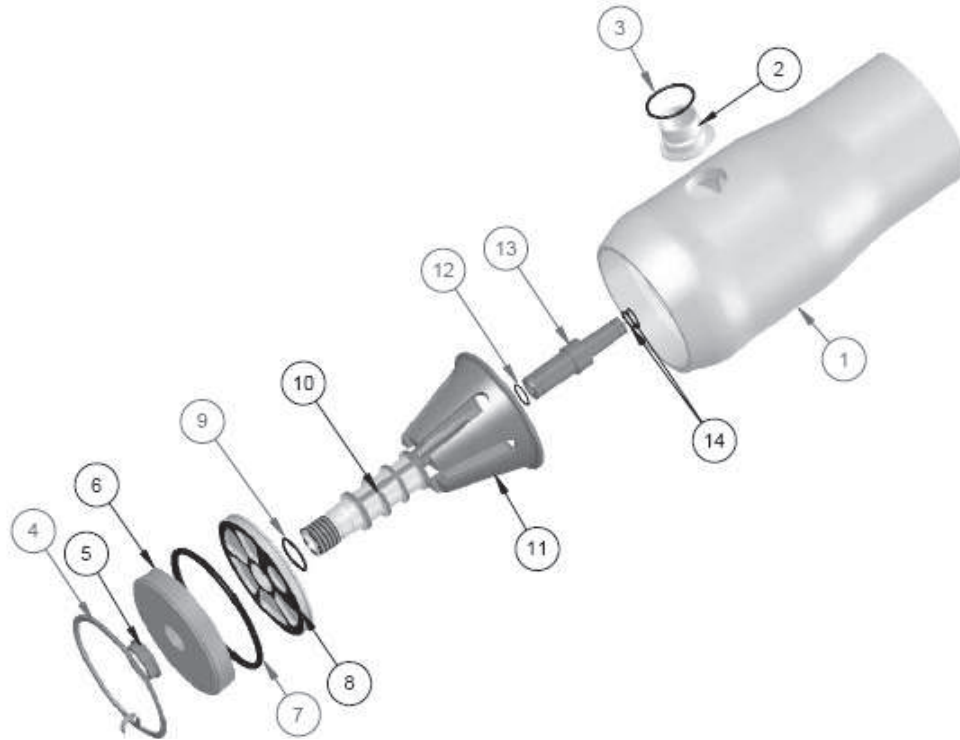


## COMPONENT IDENTIFICATION

**CODELINE® 80H15, 80H30, 80H45, 80H60, 80H100, 80H120 - Coded**



DWG REF	QTY	DESCRIPTION	MATERIAL	80H15/30	80H45/60	80H100/120
				PART NUMBER	PART NUMBER	PART NUMBER
1	1	SHELL	Filament Wound Epoxy/Glass composites – Head Locking grooves integrally wound in place.			
2	A/R	F/C Port	80H15 / 30 / 45 / 60: CF3M# 80H100 / 120: CD3MWCuN##	ORDER SECTION	ORDER SECTION	ORDER SECTION
3	A/R	F/C Port Seal	Ethylene Propylene			
4	2	Spiral Ring	316 SST	47336	47336	47336
5	2	Port Nut	Engineering Thermoplastic	45066	45066	45066
6	2	Bearing Plate	6061-T6 Aluminum Alloy – Hard anodized	96156	96157	96158
7	2	Head Seal	Ethylene Propylene – O – Ring	96000	96000	96000
8	2	Sealing Plate	Engineering Thermoplastic	96159	96159	96159
9	2	Perm Port Seal	Ethylene Propylene – O – Ring	45312	45312	45312
10	2	Permeate Port	Engineering Thermoplastic	96161	96161	96161
11	1	Thrust Cone	Engineering Thermoplastic	96163	96163	96163
12	2	Adapter Seal	Ethylene Propylene – O – Ring	52245	52245	52245
13	2	Adapter	Engineering Thermoplastic	A/R	A/R	A/R
14	4	PWT Seal	Ethylene Propylene – O – Ring	A/R	A/R	A/R
15*	3**	Strap Assy.	304 Stainless Steel – PVC Cushion	45042	45042	45042
16*	3**	Universal Saddle	Engineering Thermoplastic	52169	52169	52169
17*	6	Strap Screw	5/ 16-18 UNC, 18-8 Stainless Steel	46265	46265	46265
* Not shown in above cross section view.						
** 2 each furnished with length code 1, 2 & 3.						

