

771 XS BALL VALVE

FEATURES

The 771XS ball valve is designed for the opening/closing of pipes with non-loaded industrial fluids, up to a pressure of 16 bar. The narrow “wafer” construction of the valve makes installation easier compared with traditional “flange” models. It is a full-bore, EC- and ATEX-certified valve. The ISO 5211 mounting pad allows the actuator to be directly assembled.

AVAILABLE MODELS

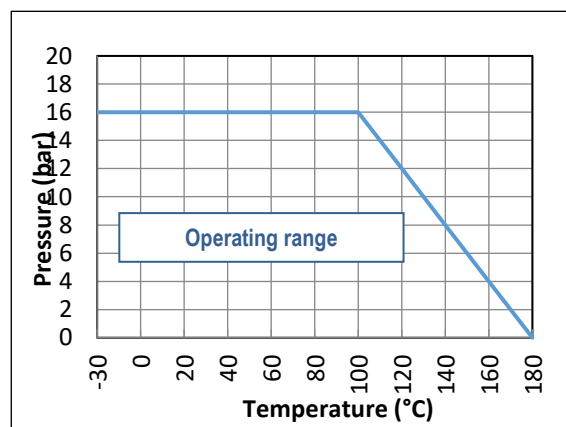
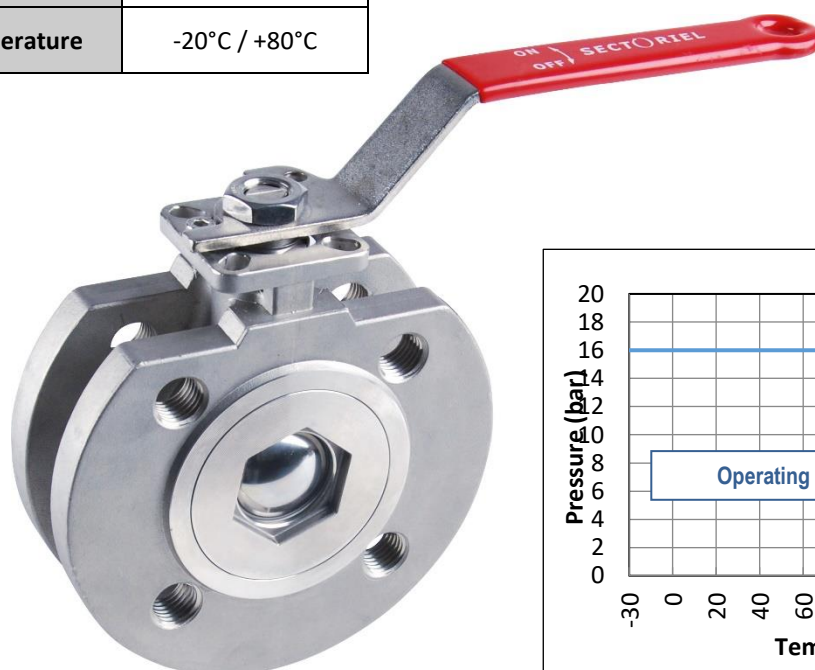
1.4408 stainless steel body.
DN15 to DN100 diameters.
PN16 RF wafer mounting.

LIMITS OF USE

Fluid pressure: PS	16 bar (20°C)
Fluid temperature: WT°	-30°C / +180°C
Ambient temperature	-20°C / +80°C



EMICO



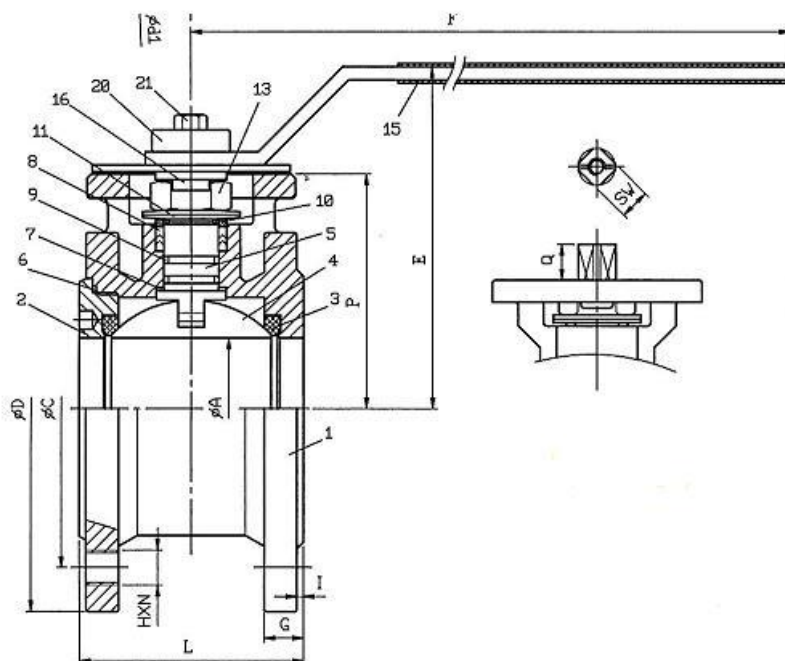
DIRECTIVES AND MANUFACTURING STANDARDS

OBJECT	Standard	ON	OBJECT	Standard
Pressure Equipment Directive 2014/68/EC	DN15 and 20: not subject		Final test	EN 12266
	DN25 to DN100: category III	TÜV 0035	Material certificate	EN 10204
Size	EN 12516-1		Connection Motorisation	ISO 5211
Steel grades	EN 1503-1			
ATEX Directive	II 2G/D Tx zones 1,2,21 and 22	SIRA 0518		
	EN 13463-1 and 5			

771 XS BALL VALVE

CONSTRUCTION

No.	Name	Material	No.	Name	Material
1	Body	1.4408 SS	12	Lever	304 SS
2	F	1.4408 SS	13	Lever nut	304 SS
3	Seats	PTFE + +15% GF	14	Stop	304 SS
4	Ball	316 SS	15	Plastic coupling	PVC
5	Stem	316 SS	16	Locking device	304 SS
6	Body gasket	PTFE	17	Spring	316 SS
7	Stem gasket	PTFE + +15% GF	18	Antistatic device	316 SS
8	Cable gland gasket	PTFE	19	Stop plate	304 SS
9	O-ring	FKM	20	Spacer	304 SS
10	Spacer	304 SS	21	Screw	304 SS
11	Belleville spring	301 SS			



DIMENSIONS (mm)

DN	15	20	25	32	40	50	65	80	100
A	16	20	25	32	40	50	65	80	96
C	65	75	85	100	110	125	145	160	180
D	95	105	115	140	150	165	185	200	220
E	89	89	101	112	116	125	154	165	180
F	114	114	187	187	222	222	350	350	350
G	14	16	16	16	16	18	18	20	20
H x N	M12x4	M12x4	M12x4	M16x4	M16x4	M16x4	M16x4	M16x8	M16x8
L	42	44	50	54	68	82	103	122	152
I	2	2	2	2	3	3	3	3	3
P	54	56	62.5	72	78	87.2	107	117.3	132.3
Weight (kg)	01:45	1.92	2.60	3.70	4.65	06:45	10:25	13:55	19.85