



FORTY 270 – FORTY 390

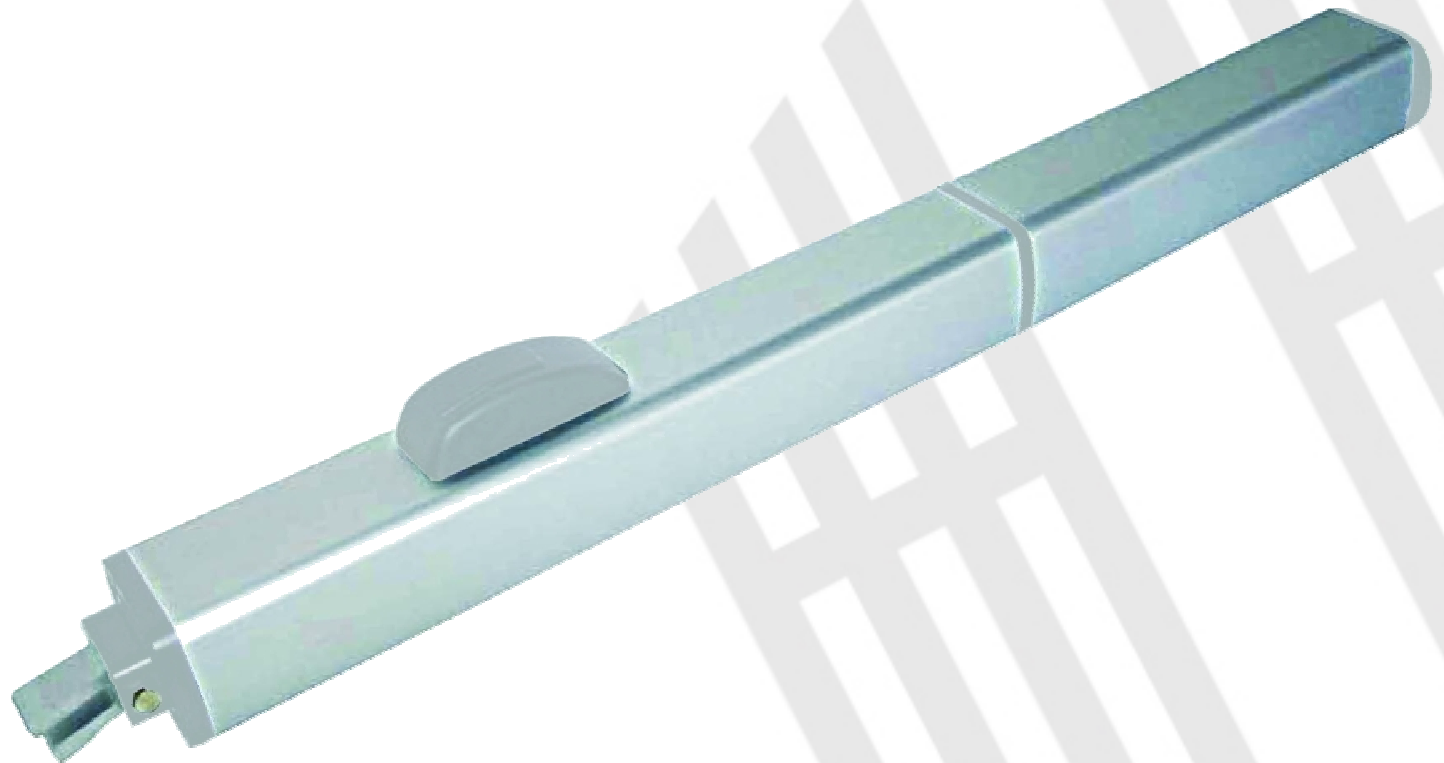
30 Marzo 2016

URMET IS IN YOUR LIFE



ACTUATORS FOR SWING GATES

New range of hydraulic actuators for swing gates fitted with electric pump and hydraulic piston.
Ideal for a condominium and intensive use.

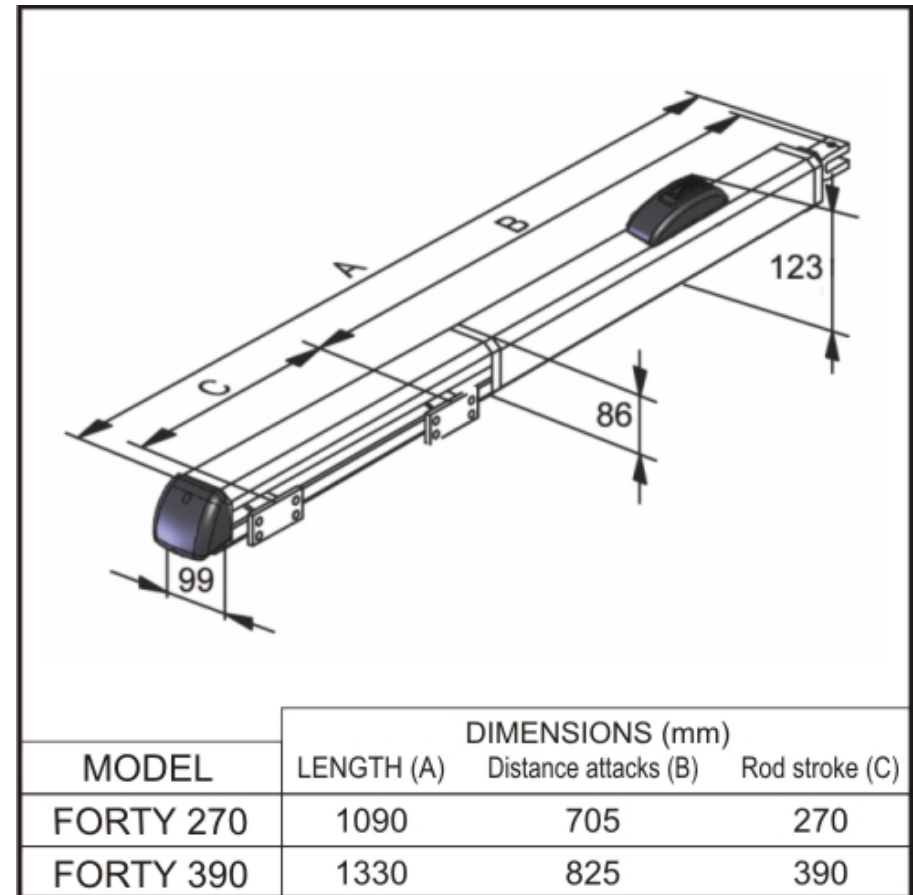


URMET IS IN YOUR LIFE



FORTY 270 - FORTY 390

- Simple and linear design with a compatible aesthetics for all types of gates.
- It equipped with front hitch ball joint uniball threaded 20mm, like the previous range ZT40, which allows to retrieve any tolerances during the fixing;
- The standard hydraulic slowing down system in the closing (non-adjustable) allows a soft approach of the wings, silently and without mechanical stress to the structure;

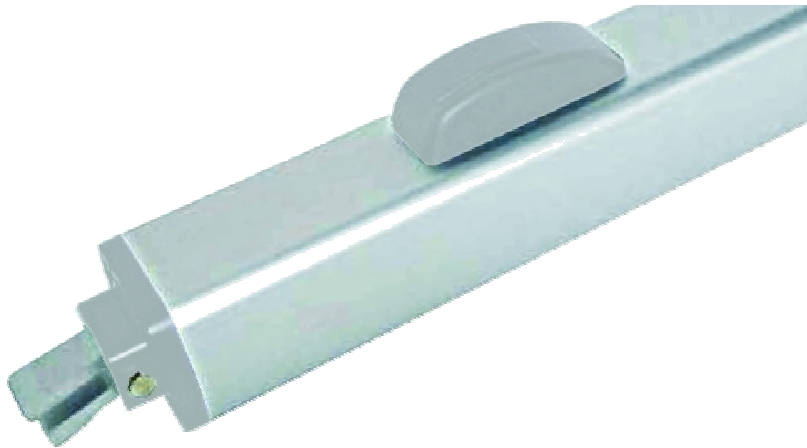


URMET IS IN YOUR LIFE



FORTY 270 - FORTY 390

- Emergency release protected inside the upper lid and doesn't alter the pleasant aesthetic line of the actuator.
- The rear flange with articulated aluminum fork movement, ensures flexible and sturdy assembly on the pillar.
- The motors work with the new control unit BA230.



URMET IS IN YOUR LIFE



TECHNICAL DATA FORTY 270

POWER SUPPLY	230Vac(+6% -10%)- 50Hz
ABSORBED POWER	250 W
ABSORBED CURRENT	1A
ELECTRIC MOTOR (rpm)	1400
ROD STROKE	270 mm
ROD SPEED	1,3 cm./sec.
THRUST FORCE MAX. 45bar	6700 N
PUMP CAPACITY (l/m)	1
OPERATING TEMPERATURE	-25°C +70°C
OVERLOAD CUTOUT	120°C
PROTECTION DEGREE	IP55
CAPACITOR BREAKAWAY	8uF – 400 V

URMET IS IN YOUR LIFE



TECHNICAL DATA FORTY 390

POWER SUPPLY	230Vac(+6% -10%)- 50Hz
ABSORBED POWER	350 W
ABSORBED CURRENT	1,9 A
ELECTRIC MOTOR (RPM)	1400
ROD STROKE	390 mm
ROD SPEED	1,3 cm./sec.
THRUST FORCE MAX. 45bar	7800 N
PUMP CAPACITY (l/m)	1
OPERATING TEMPERATURE	-25°C +70°C
OVERLOAD CUTOUT	120°C
PROTECTION DEGREE	IP55
CAPACITOR BREAKAWAY	10uF – 400 V

URMET IS IN YOUR LIFE



...MODELS FORTY 270 AND 390

MODEL	FORTY 270			FORTY 390		
	SF	C	B	SF	C	B
HYDRAULIC LOCK	SF: NO C: closing B: opening/ closing			SF: NO C: closing B: opening / closing		
HYDRAULIC SLOWDOWN ON CLOSING	YES			YES		
OIL	Total 52 – AT52			Total 52 – AT52		
WEIGHT OF THE MOTOR	9 Kg			10 Kg		

URMET IS IN YOUR LIFE