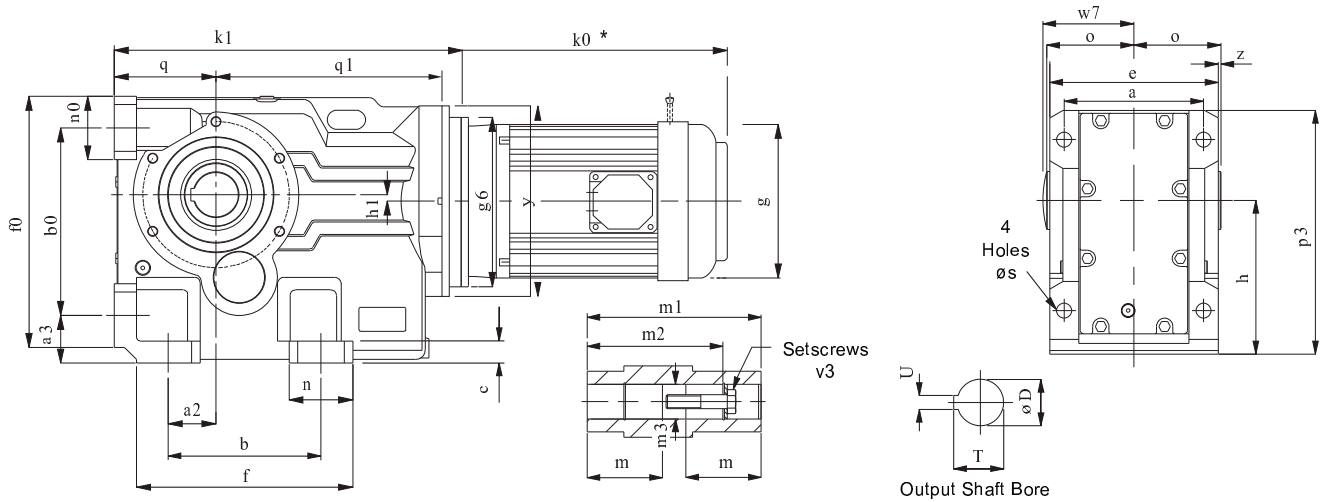


SERIES K

DIMENSIONS

TRIPLE REDUCTION



Size	a	a2	a3	b	b0	c	e	f	f0	h	h1	n	n0	o	p3
K0332	100	28	32	110	115	11	120	143	152	100	16	38	38	60	167
K0432	120	35	37	130	130	16	145	168	171	112	13	38	40	75	187
K0532	130	30	45	130	150	15	157	170	192	132	5	40	40	83	217
K0632	140	30	45	120	160	20	170	176	208	140	13	55	48	90	233
K0732	165	40	55	150	200	27	200	210	263	180	25	60	55	105	288
K0832	180	55	70	180	233	30	230	256	309	212	15	76	76	120	341
K0931	240	75	75	240	295	35	290	340	395	265	10	100	100	150	420
K1031	270	95	95	280	360	40	340	390	455	315	41	110	115	175	513
K1231	330	115	110	350	420	45	400	470	540	375	65	120	120	205	590

Size	q	q1	s	w7	y	z	Hollow Output Bore							
							D	m	m1	m2	m3	T	U	v3
K0332	63	159	11	63	140	0	30	52.5	120	105	30.3	33.5	8	M10x50L
K0432	71	179	11	78	140	2.5	35	66	150	132	35.3	38.5	10	M12x55L
K0532	80	219	14	87	180	4.5	40	73	166	142	40.3	43.5	12	M16x70L
K0632	90	229	14	94	180	5	40	80	180	156	40.3	43.5	12	M16x70L
K0732	112	265	18	109	212	5	50	92.5	210	183	50.5	54	14	M16x70L
K0832	132	330	23	124	250	5	60	105	240	210	60.5	64.5	18	M20x80L
K0931	160	355	27	154	300	5	70	132.5	300	270	70.5	75	20	M20x80L
K1031	200	423	34	180	360	5	80	155	350	313	80.5	85.5	22	M20x80L
K1231	225	476	39	210	400	5	100	180	410	373	100.5	106.5	28	M24x110L

MOTOR FRAME SIZE	K0332	K0432	K0532	K0632	K0732	K0832	K0931	K1031	K1231
		K1	K1	K1	K1	K1	K1	K1	K1
63	256	284	311	331	-	-	-	-	-
71	260	288	317	337	-	-	-	-	-
80	273	301	335	355	414	544	573	-	-
90	283	311	345	365	424	544	573	-	-
100	291	319	372	392	436	550	579	670	797
112	291	319	372	392	436	550	579	670	797
132	-	-	372	392	458	550	579	670	797
160	-	-	-	-	466	580	614	705	790
180	-	-	-	-	-	-	614	705	790
200	-	-	-	-	-	-	614	705	790
225	-	-	-	-	-	-	641	732	817
250	-	-	-	-	-	-	-	-	989
280	-	-	-	-	-	-	-	-	989

* Motor Lengths for own brand standard motors can be found on the motor dimension page.