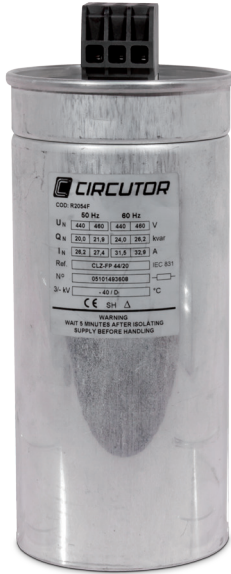


# CLZ-FP

## Tubular capacitor with connection strip



### Description

The **CLZ** tubular capacitor range is composed of capacitors with a tubular casing, of the dry-type, covering a wide range of power and voltage ratings, at 50 and 60 Hz. The design, manufacturing and testing processes of **CLZ** tubular capacitors guarantee top quality and long-lasting capacitors. New refrigeration technology. **CLZ** capacitors up to 25 kvar offer new refrigeration technology that uses nitrogen gas, offering a highly efficient, harmless, fireproof refrigeration system.

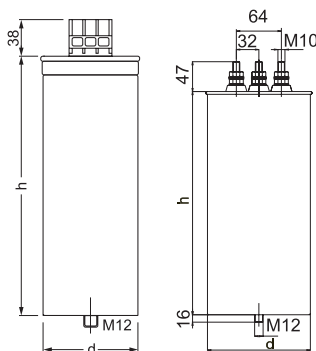
### Application

Its application is based on compensation in installations with static and variable loads (capacitor banks).

### Technical features

<b>Electrical features</b>	Overload	1.3 times the nominal hold current	
	Overvoltage	10%, 8 over 24 hours	
		15%, up to 30 minutes over 24 hours	
		20%, up to 5 minutes over 24 hours	
		30%, up to 1 minute over 24 hours	
	Insulation level	3 / 15 kV	
	Tolerance	-5%...+15%	
	Discharge resistance	75 V / 3 minutes	
	Frequency	50 or 60 Hz	
	Losses:	Dielectric	CLZ system levels:
Total		< 0.2 W / kvar < 0.4 W / kvar	
Protections	Dielectric regeneration Expansion system		
<b>Mechanical features</b>	Enclosure	Aluminium	
	Power terminals	M10	
	Fixing screws	M12	
	Protection degree	IP 00 for CLZ-FPT and CLZ-FP >30 kvar IP 20 for CLZ-FP ≤ 30 kvar IP 54 for CLZ-FP, with terminal cover	
<b>Environmental conditions</b>	Temperature class D:	Daily measurement: 45 °C	
		Annual mean: 35 °C	
		Maximum: 55 °C	
		Minimum: -25 °C	
Relative humidity	80% without condensation		
Maximum altitude	2,000 m		
<b>Assembly conditions</b>	Type of assembly	Vertical / Horizontal	
	Ventilation	Natural or forced, depending on the cabinet design	
	Distance between capacitors	At least 2 cm	
<b>Standards</b>	<b>IEC 60831-1, IEC 70/7, UNE 20827, UNE 20010, BS 1650, VDE 560</b>		

### Dimensions



Type	d	h	Type	d	h
B	85	175	G	136	220
C	85	245	H	136	261
D	110	220	I	136	355
E	110	245			
F	110	261			

# CLZ-FP

## Tubular capacitor with connection strip

### References

#### 230 V Single-phase

##### kvar (50 Hz)

1x230 V	1x240 V	Dimensions	Weight (kg)	Fig.	Type	Code
2,5	2,7	85 x 245 mm	1	C	CLZ-FP-M-23/2,5	R205C4
5	5,4	85 x 245 mm	1,2	C	CLZ-FP-M-23/5	R205C8
7,5	8,2	116 x 245 mm	1,7	F	CLZ-FP-M-23/7,5	R205CM
10	10,9	116 x 245 mm	2,0	F	CLZ-FP-M-23/10	R205CN

#### 440 V Three-phase

##### kvar (50 Hz)

400 V	440 V	Dimensions	Weight (kg)	Fig.	Type	Code
6.25	7.5	85 x 175 mm	0,9	B	CLZ-FP-44/7,5	R2057P
8	10	85 x 245 mm	1	C	CLZ-FP-44/10	R2057C
10	12.5	85 x 245 mm	1,2	C	CLZ-FP-44/12.5	R2057D
12.5	15	85 x 245 mm	1,3	C	CLZ-FP-44/15	R2057E
15	18.2	116 x 245 mm	2	E	CLZ-FP-44/18.2N	R2057M
16	20	116 x 245 mm	2	E	CLZ-FP-44/20N	R2057F
20	25	116 x 245 mm	2,2	E	CLZ-FP-44/25N	R2057G
25	30	116 x 245 mm	3,3	E	CLZ-FP-44/30N	R2057H
32	40	136 x 261 mm	4,2	H	CLZ-FP-44/40	R2057J
40	50	136 x 261 mm	5,5	H	CLZ-FP-44/50	R2057K

#### 525 V Three-phase

##### kvar (50 Hz)

480 V	525 V	550 V	Dimensions	Weight (kg)	Fig.	Type	Code
1.7	2	2.2	85 x 175 mm	0.6	B	CLZ-FP-52/2	R20553
2.1	2.5	2.7	85 x 175 mm	0.6	B	CLZ-FP-52/2.5	R20554
2.5	3	3.3	85 x 175 mm	0.7	B	CLZ-FP-52/3	R20555
3.3	4	4.4	85 x 175 mm	0.8	B	CLZ-FP-52/4	R20557
4.2	5	5.5	85 x 175 mm	0.8	B	CLZ-FP-52/5	R20558
5.2	6.25	6.8	85 x 175 mm	0.9	B	CLZ-FP-52/6.25	R20559
6.3	7.5	8.2	85 x 245 mm	0.9	C	CLZ-FP-52/7.5	R2055A
6.7	8	8.7	85 x 245 mm	0.9	C	CLZ-FP-52/8	R2055B
8.4	10	11	85 x 245 mm	1.0	C	CLZ-FP-52/10	R2055C
10.4	12.5	13.7	85 x 245 mm	1.1	D	CLZ-FP-52/12.5	R2055D
12.5	15	16.5	116 x 245 mm	1.3	E	CLZ-FP-52/15	R2055E
16.7	20	22	116 x 245 mm	1.9	E	CLZ-FP-52/20	R2055F
20.89	25	27.4	116 x 245 mm	2.1	E	CLZ-FP-52/25	R2055G
25	30	33	136 x 220 mm	3.3	G	CLZ-FP-52/30	R2055H
31.3	37.5	41.5	136 x 220 mm	3.1	G	CLZ-FP-52/37.5	R2415I
33	40	44	136 x 261 mm	4.0	H	CLZ-FP-52/40	R2055J
42	50	55	136 x 355 mm	5.5	I	CLZ-FP-52/50	R2055K

#### 690 V Three-phase

##### kvar (690 V)

50 Hz	60 Hz	Dimensions	Weight (kg)	Fig.	Type	Code
5	6	85 x 245 mm	0,8	C	CLZ-FP-69/5	R20598
10	12	85 x 245 mm	1,0	C	CLZ-FP-69/10	R2059C
12,5	15	85 x 245 mm	1,2	C	CLZ-FP-69/12,5	R2059D
15	18	85 x 245 mm	1,3	C	CLZ-FP-69/15	R2059E
20	25	116 x 245 mm	1,9	E	CLZ-FP-69/20	R2059F
25	30	116 x 245 mm	2,1	E	CLZ-FP-69/25	R2059G
50	60	136 x 355 mm	5,5	I	CLZ-FP-69/50	R2059K

#### 525 V Three-phase, for filtering

##### kvar (60 Hz)

480 V	525 V	For reactor	Dimensions	Weight (kg)	Fig.	Type	Code
2	2.5		85 x 175 mm	0.6	B	CLZ-FP-52/2,5	R205G4
4	5		85 x 175 mm	0.8	B	CLZ-FP-52/5	R205G8
5	6.25	RX-6.25-480-60Hz-7%	85 x 245 mm	0.9	C	CLZ-FP-52/6,25	R205G9
6.25	7.5	RX-7.5-480-60Hz-7%	85 x 245 mm	0.9	C	CLZ-FP-52/7,5	R205GA
8	10		85 x 245 mm	1.0	C	CLZ-FP-52/10	R205GC
12.5	15	RX-15-480-60Hz-7%	85 x 245 mm	1.3	C	CLZ-FP-52/15	R205GE
20	25	RBX-25-480-60Hz-7%	116 x 245 mm	2.1	E	CLZ-FP-52/25	R205GG
25	30	RBX-30-480-60Hz-7%	116 x 245 mm	3.3	E	CLZ-FP-52/30	R205GH

#### 230 V Three-phase

##### kvar (50 Hz)

220 V	230 V	240 V	Dimensions	Weight (kg)	Fig.	Type	Code
2.3	2.5	2.7	85 x 175 mm	1.2	B	CLZ-FP-23/2.5	R20514
3.7	4	4.4	85 x 245 mm	1.6	C	CLZ-FP-23/4	R20517
4.6	5	5.4	85 x 245 mm	1.6	C	CLZ-FP-23/5	R20518
5.7	7.5	8.2	116 x 245 mm	2.6	E	CLZ-FP-23/7.5	R205CA
9.1	10	10.9	116 x 245 mm	2.6	E	CLZ-FP-23/10	R205CC
11.4	12.5	13.6	116 x 245 mm	3.3	E	CLZ-FP-23/12.5	R205CD
13.7	25	-	136 x 220 mm	3.3	G	CLZ-FP-23/15	R2051E

#### 460 V Three-phase, for filtering

##### kvar (50 Hz)

460 V	For reactor	Dimensions	Weight (kg)	Fig.	Type	Code
6	RX-5-400-7%	85 x 175 mm	0,9	B	CLZ-FP-44/7,5	R2057P
12,5	RX-10-400-7%	85 x 245 mm	1,2	C	CLZ-FP-44/10	R2057C
15	RX-12,5-400-7%	85 x 245 mm	1,4	C	CLZ-FP-44/12,5	R2057D
19	RX-15-400-7%	116 x 245 mm	1,9	E	CLZ-FP-44/15	R2057E
25	RBX-20-400-7%	116 x 245 mm	2,1	E	CLZ-FP-44/18,2	R2057M
30	RBX-25-400-7%	136 x 220 mm	3,0	G	CLZ-FP-44/50	R2057K

#### 240 V Three-phase

##### kvar (60 Hz)

240 V	Dimensions	Weight (kg)	Fig.	Type	Code
2.5	85 x 245 mm	1.2	C	CLZ-FP-24/2,5	R205C1
5	85 x 245 mm	1.6	C	CLZ-FP-24/5	R205C3
6.25	85 x 245 mm	1.6	C	CLZ-FP-24/6,25	R205C5
7.5	85 x 245 mm	2.6	C	CLZ-FP-24/7,5	R205C7
10	116 x 245 mm	2.6	E	CLZ-FP-24/10	R205C9
12.5	136 x 220 mm	3.3	G	CLZ-FP-24/12.5	R205CB
15	136 x 220 mm	3.3	G	CLZ-FP-24/15	R205CP

#### 480 V Three-phase

##### kvar (60 Hz)

480 V	Dimensions	Weight (kg)	Fig.	Type	Code
3	85 x 175 mm	0.8	B	CLZ-FP-48/3	R205B1
5	85 x 175 mm	0.9	B	CLZ-FP-48/5	R205B2
7.5	85 x 245 mm	1.0	C	CLZ-FP-48/7.5	R205B3
10	85 x 245 mm	1.0	C	CLZ-FP-48/10	R205B4
12.5	85 x 245 mm	1.1	C	CLZ-FP-48/12.5	R205B5
15	85 x 245 mm	1.2	C	CLZ-FP-48/15	R205B6
20	116 x 245 mm	1.9	E	CLZ-FP-48/20	R205B9
25	116 x 245 mm	2.1	E	CLZ-FP-48/25	R205BA
30	136 x 220 mm	2.6	G	CLZ-FP-48/30	R205BB
40	136 x 261 mm	3.8	H	CLZ-FP-48/40	R205BF
50	136 x 355 mm	5.2	I	CLZ-FP-48/50	R205BH