

Flow and check valves ▶ Quick exhaust valves

Quick exhaust valve, Series 573

▶ Qn = 220 - 12000 l/min ▶ Internal thread / Internal thread



5735-041

Version
Working pressure min./max.
Ambient temperature min./max.
Medium temperature
Medium

Poppet valve
0.8 bar / 10 bar
-18°C / +70°C
-18°C / +70°C
Compressed air

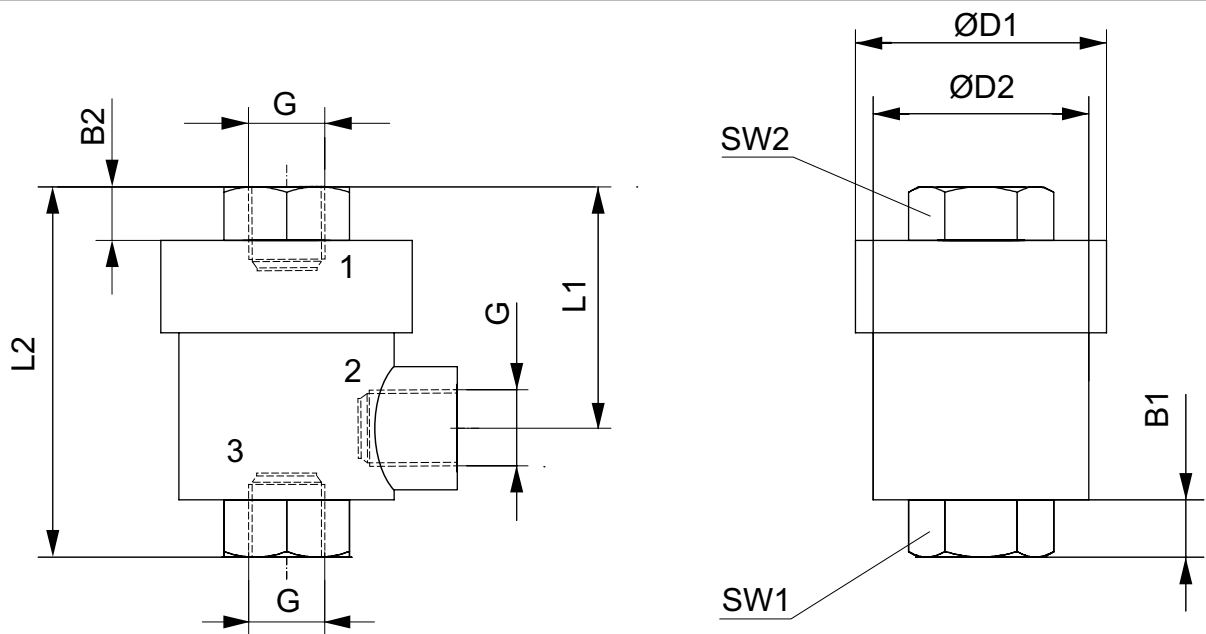
Materials:
Housing

Brass, nickel-plated

	Port 1	Port 2	Port 3 (Exhaust)	Qn	Qn	Weight	Fig.	Note	Part No.
				1▶2	2▶3				
				[l/min]	[l/min]	[kg]			
	M5	M5	M5	220	300	0.03	Fig. 2	1)	5735040900
	G 1/8	G 1/8	G 1/8	680	1100	0.08	Fig. 1	2)	5735040000
	G 1/4	G 1/4	G 1/4	1200	2100	0.15	Fig. 1	2)	5735040100
	G 3/8	G 3/8	G 3/8	1800	3450	0.21	Fig. 1	2)	R412010750
	G 1/2	G 1/2	G 1/2	3400	6100	0.32	Fig. 1	2)	5735040300
	G 3/4	G 3/4	G 3/4	2500	9800	0.45	Fig. 1	2)	R412010751
	G 1	G 1	G 1	7200	12000	1.65	Fig. 1	2)	R412010752

1) Seal: Acrylonitrile Butadiene Rubber
2) Seal: Polyurethane
Port 2: Internal thread
Port 3 (Exhaust): Internal thread
Nominal flow Qn at 6 bar and Δp = 1 bar

Fig. 1



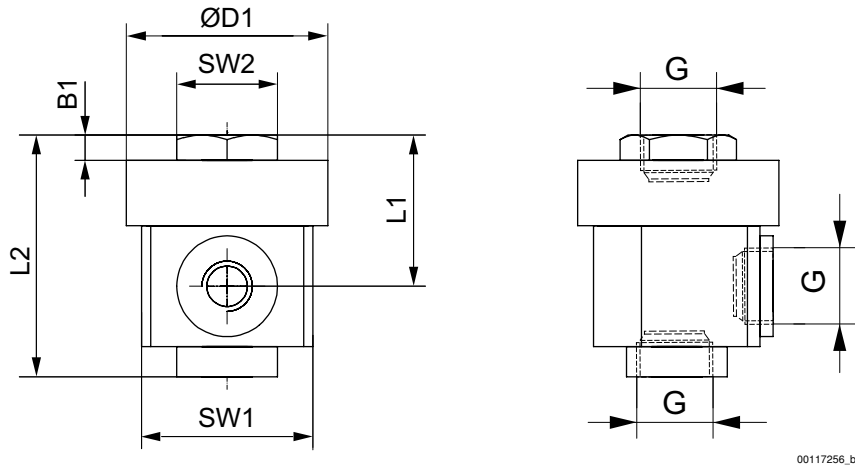
00117256_a

Quick exhaust valve, Series 573

▶ Qn = 220 - 12000 l/min ▶ Internal thread / Internal thread

Part No.	Port G	B1	B2	ØD1	ØD2	L1	L2	SW1	SW2	Weight kg		
5735040000	G 1/8	6.5	6.5	28	24	27	42	15	15	0.08		
5735040100	G 1/4	9.5	9	33.5	29.5	35	53	19	19	0.15		
R412010750	G 3/8	10	10	32.5	29.5	36	56	21	21	0.21		
5735040300	G 1/2	13.5	13	43	40	43	72	26	26	0.32		
R412010751	G 3/4	19	16	49	45.5	55	90	32	32	0.45		
R412010752	G 1	17	17	80	70	70	110	46	46	1.65		

Fig. 2



00117256_b

Part No.	Port G	B1	ØD1	L1	L2	SW1	SW2	Weight kg				
5735040900	M5	2.5	20	17	25	17	10	0.03				