



SPRING RETURN ACTUATORS (15 Nm)

DB-DAx F, -DM24F

FUNCTION

On / Off or modulating spring return damper control.
The actuator opens the damper loading the return-spring: when current is cut-off the spring moves the damper in a safe position.
The actuator can be controlled manually by a suitable handle.
By this way the spring can be loaded, and the actuator can be positioned as required.

APPLICATIONS

Well-suited for applications with security dampers used as anti-freeze, antismoke or for sealing in the hygienic-sanitary field.

TYPE	POWER SUPPLY	SIGNAL CONTROL
DB-DA24F	24 Vac/dc	On/Off
DB-DA230F	230 Vac	On/Off
DB-DM24F	24 Vac/dc	0...10 Vdc

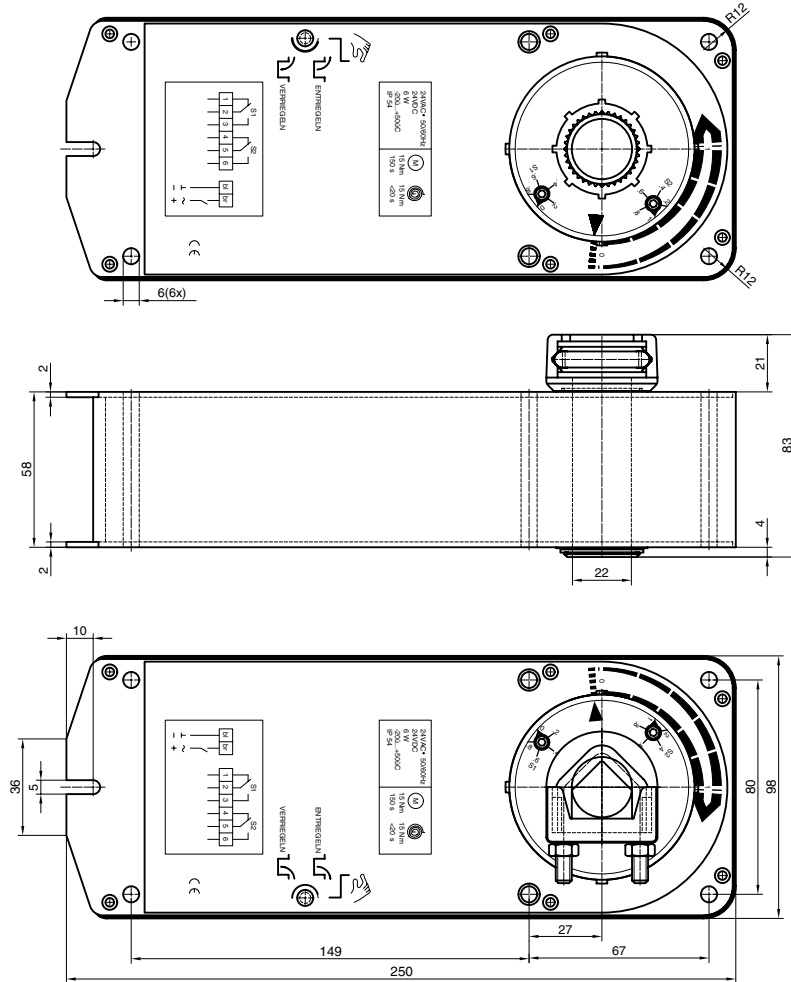
Optional:

-S2 with 2 auxiliary switches (not for DB-DM24F)

Actuator	DB-	DA24F	DA230F	DM24F
Position transducers		-	-	-
Drive torque	Nm	15	15	15
Damper area (*)	m ²	3	3	3
Power supply	V	24 Vac/dc±20%	230 Vac ±15%	24 Vac/dc±20%
Frequency	Hz	50...60	50...60	50...60
Power consumption		24 Vac/dc	230 Vac	proportional
- operating		6.0W / 8.0 VA	9.0 W / 10.0 VA	7.0 W / 9.0 VA
Cable connection		0.9 m / 0.75 mm ²	0.9 m / 0.75 mm ²	0.9 m / 0.75 mm ²
Running time				
- motor	s	150	150	150
- spring	s	20	20	20
Weight	g	1800	1800	1800
Control signal		2- point	2- point	0...10 Vdc
Angle/of/rotation:				
- working range		90°	90°	90°
Auxiliary switches		5 A / AC 230 V	5 A / AC 230 V	-
Direction of rotation		bidirectional	bidirectional	bidirectional
Protection class		III	II	III
Degree of protection		IP54	IP54	IP54
Room temperature		-20...+50 °C	-20...+50 °C	-20...+50 °C
Room humidity		5...95% r.h.	5...95% r.h.	5...95% r.h.
Maintenance		free	free	free
Standards		CE	CE	CE

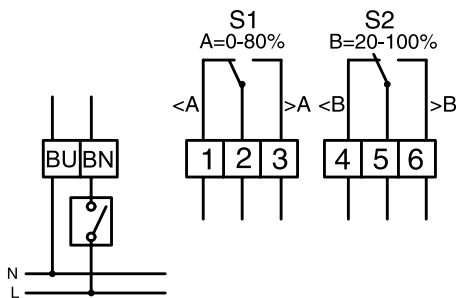
(*) the indication of the damper area is not significant, the data that must be taken into account is the value of the torque in N.m

DIMENSIONS (mm)



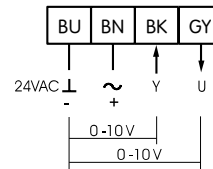
Electrical wiring

DB-DA24F, DB-DA230F with 2 auxiliary switches



- BU - blue
- BN - brown
- BK - black
- GY - grey

DB-DM24F



Direction of rotation setting

