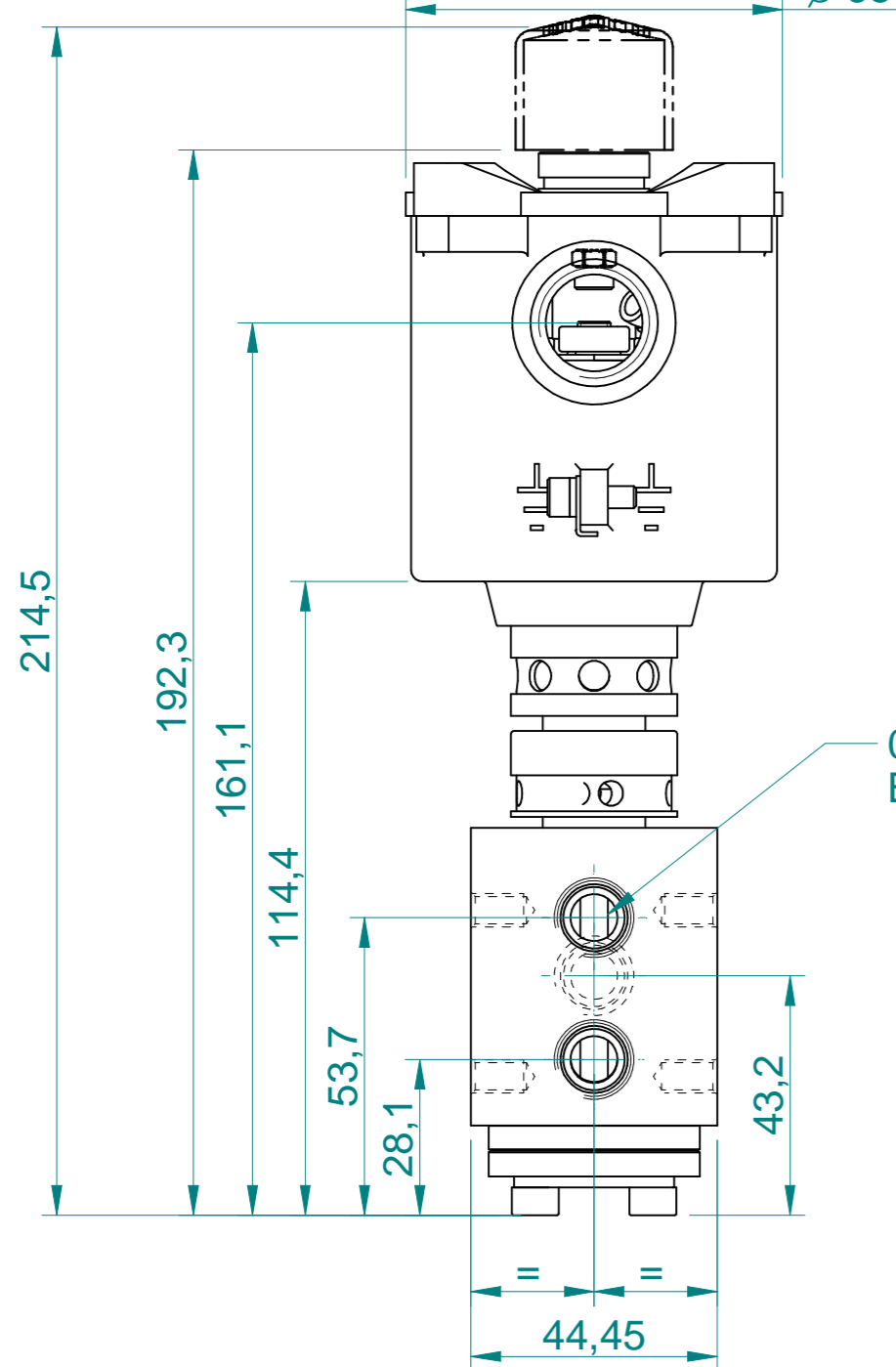


DO NOT SCALE
 M = ELECTRICAL TO SWITCH OR TEMP MANUAL OVERRIDE
 ML = ELEC & MANUAL LATCH OR TEMP MANUAL OVERRIDE
 MLT = ELEC & MANUAL LATCH (TAMPERPROOF)
 MOR - ELECTRICAL TO SWITCH OR TEMP MANUAL OVERRIDE ROTARY

1
 7x SERIES = FULLY ROTATIONAL SOLENOID HOUSING

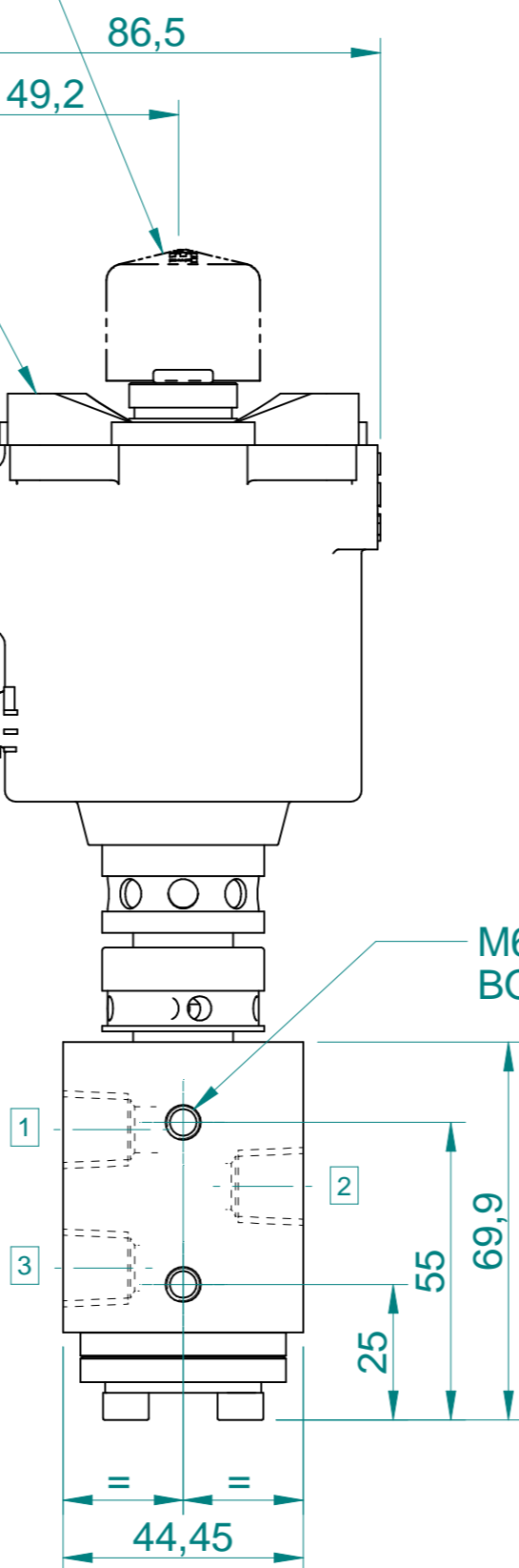
M20 CONDUIT ENTRY AS STANDARD
 (K85 = 1/2" NPT ENTRY)



EARTH TERMINAL

04 = 1/4" NPT PORTED BODY AS STANDARD

M6 x 9,5 DEEP BOTH SIDES



THIRD ANGLE PROJECTION

DIMENSIONS IN MILLIMETRES

FP10P - SX - 04 - 32 - NU - V - 77A - 24D - ML - 57 - K85 - Lxxx

(example of L option) L153 = TITANIUM WETTED PARTS

K6 = BSPP PORTS
 K85 = 1/2" NPT CONDUIT ENTRY

30 = 3.0W
 57 = 5.7W
 100 = 10W

M = ELEC TO SWITCH / MANUAL OVERRIDE

ML = ELEC/MANUAL LATCH

MLT = ELEC/MANUAL TAMPERPROOF

MOR = MANUAL OVERRIDE ROTARY

24D = 24 VDC

48D = 48 VDC

240A = 240 VAC

A = ATEX / IECEx Ex II 2GD

G = GOST 1 Exd IIC T6 (T5,T4)

74 = EExemb

77 = EExd

V = VITON

AL = FLUROSILICONE

NU = NORMALLY UNIVERSAL

32 = 3 WAY 2 POSITION

04 = 1/4" PORTS (USE PORTED BODY)

06 = 3/8" PORTS

08 = 1/2" PORTS

S1 = WP 10BAR MAX

S2 = WP 16BAR MAX

S3 = WP 35BAR MAX

S4 = WP 50BAR MAX

VALVE SUITABLE FOR UNIVERSAL OPERATION 2/2 & 3/2

NORMALLY OPEN AND NORMALLY CLOSED.

PLUG PORT 3 FOR 2/2 NORMALLY CLOSED FUNCTION. (PLUGS AVAILABLE AS A LINE ITEM)

PLUG PORT 1 FOR 2/2 NORMALLY OPEN FUNCTION. (PLUGS AVAILABLE AS A LINE ITEM)

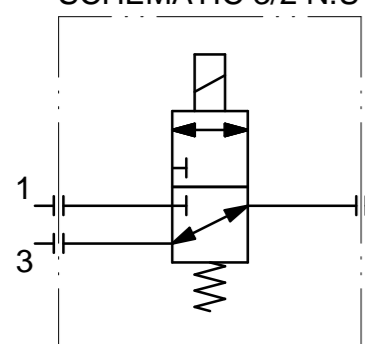
WEIGHT

2.6 kg APPROX

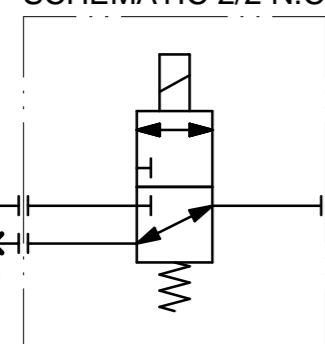
2.8 kg WITH PORTS

WIRING DIAGRAMS

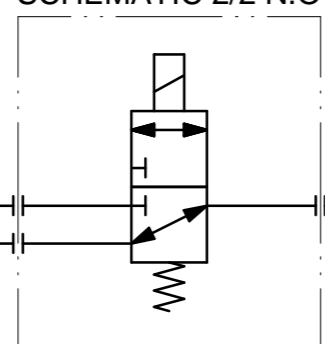
SCHEMATIC 3/2 N.U



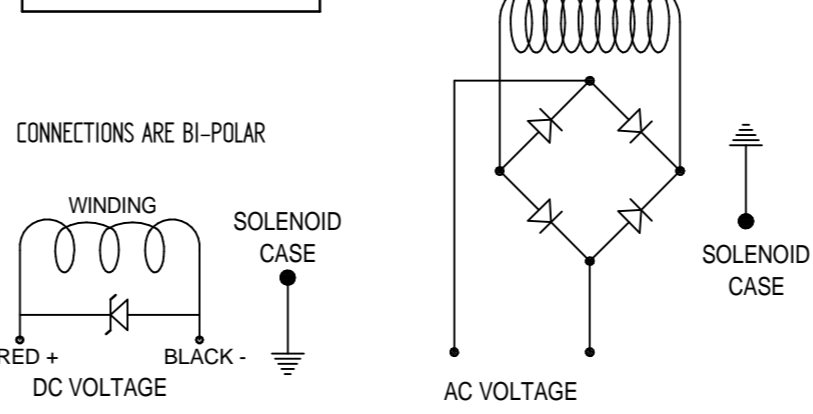
SCHEMATIC 2/2 N.C



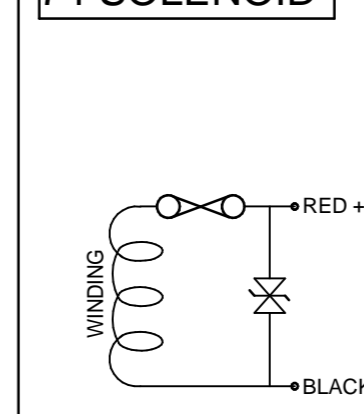
SCHEMATIC 2/2 N.O



77 SOLENOID



74 SOLENOID



FIXING SCREW TORQUE SETTINGS

M4	2.2 Nm
M5	4.3 Nm
M6	7.3 Nm
M8	17.7 Nm
M10	35.5 Nm

REV	DATE	DRAWN	CHKD	REVISION
2	16.05.18	RA		ADDITIONAL DIMENSIONS ADDED
1	10.01.14	RA		ADDED OPTIONS TO EXAMPLE SELECTION TABLE
0	28.09.12	PH		PRODUCTION ISSUE

NOTES :

1.) O-RING MATERIAL CODE 'X'

S = NITRILE

V = VITON

AL = FLUROSILICONE

AG = SILICONE

2.) ALL DIMENSIONS NOMINAL UNLESS OTHERWISE STATED.

VALVE TYPES/USED ON

Bifold FluidPower
 Limited

Bifold Fluidpower Limited
 Greenside way, Middleton, Manchester, M24 1SW
 Telephone (44) 0161 345 4777 Fax (44) 0161 345 4780

PROJECT TITLE
 FP10P-SX-04-32-NU-X-77XX-XXX-XX-01

PROJECT No.

DRAWING TITLE
 GENERAL INSTALLATION

DRAWING No.
 0-IN0143

REV.
 2

DRAWN
 PETE HAMER

DATE
 28.09.12

CHECKED

DATE

APPROVED

DATE

Copyright © 2000 BIFOLD FLUIDPOWER LTD.

All Rights Reserved

C.A.D. Produced Drawing DO NOT Change By Hand