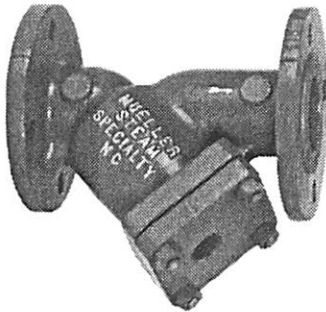


Models: 781-SS*, 781-SS-WE***Cast Stainless Steel Flanged & Butt Weld End Y Strainers**

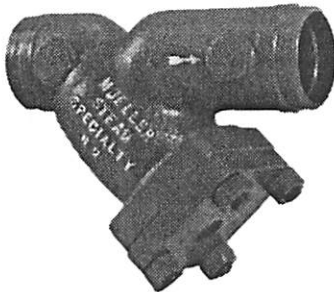
Sizes: 1/2" - 24" (15 - 600mm)

Pressure / Temperature - Non-Shock		
Model	Material	Rating
781-SS, 781-SS-WE	Stainless Steel	290psi @ -20°F to 100°F 19.99 bar @ 37.78°C 150psi @ 565°F 10.34 bar @ 296.11°C

781-SS Class 150
781-SS-WE Class 150



Model 781-SS



Model 781-SS-WE

Typical Service

- Used extensively to strain foreign matter from pipelines and provide economical protection for costly pumps, meters, valves, and other similar mechanical equipment.
- Especially important where weld debris is likely present in the pipeline.
- Well suited for long service in high pressure and temperature applications.

Features

- Machined seats in both body and cap align and lock the screen in place to stop sediment bypass.
- Machined seats facilitate alignment and accurate reseating after servicing.

Construction

- Designed for Class 150 specifications.
- Heavy gauge reinforced screens are used.

IMPORTANT NOTE: Model 781-SS-WE ends are machined to match Schedule 40 pipe. Other connections are available, consult factory.

Self-Cleaning

- Self-cleaning is accomplished by opening the plug or valve connected to the blowoff outlet.

Blowoff Outlets

- Blowoff outlets are NPT tapped at location C. See next page for NPT sizes.
- Blind covers are available, consult factory.

Capacity

- Generously proportioned bodies.
- Open Area Ratio much greater than pipe size, ensuring low pressure drop.
- Minimum of 4 to 1 Open Area Ratio.

Screens

MODEL	SIZES	STANDARD (WATER)		STEAM RECOMMENDATION	
		MATERIAL	OPENING	MATERIAL	OPENING
All	1/2" - 4"	304SS	.062 perf	304SS	.033 perf
All	5" and Up	304SS	.125 perf	304SS	.062 perf

Materials

	781-SS, 781-SS-WE
Body	Stainless Steel, ASTM A351 Grade CF8M
Cover	Stainless Steel, ASTM A351 Grade CF8M
Gasket	316 Graphite

ALSO AVAILABLE:

Body/Cap: Alloy 20 (ASTM A351 Gr.CN7M)
Hastelloy C
Monel (Ni-Cu)

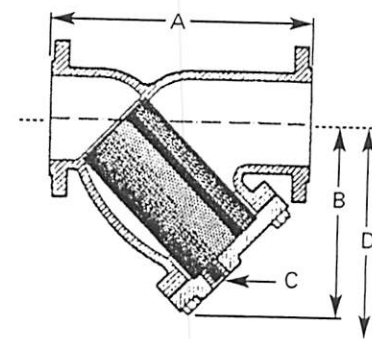
*781/781-WE supersedes model
761/761-WE. 761/761-WE still available
upon request

Pressure Drop

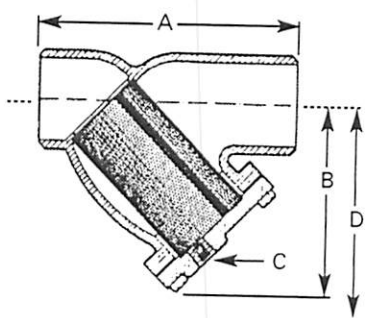
See Pressure Drop Charts in Technical Data Section of the Mueller Steam Specialty Engineering binder.

Dimensions and Weights

SIZE	DIMENSIONS								WEIGHT	
	A		B		C (NPT)		D Screen Removal		lbs.	kg.
in. mm	in. mm	in. mm	in. mm	in. mm	in. mm	in. mm	in. mm			
781-SS										
1/2 15	5 7/8 149	3 1/2 89	3/8 10	5 130	5.5	2.5				
3/4 20	7 3/8 187	3 3/4 95	1/2 15	5 130	10.25	4.6				
1 25	7 3/8 187	3 3/4 95	1/2 15	5 130	10.25	4.6				
1 1/4 32	7 178	4 3/4 121	1/2 15	7 178	9.75	4.4				
1 1/2 40	7 7/8 181	4 3/4 121	1/2 15	7 178	12.5	5.6				
2 50	7 7/8 200	5 1/4 133	1/2 15	7 178	18	8.1				
2 1/2 65	9 3/4 248	6 1/2 165	1 25	9 3/4 248	28	12.7				
3 80	10 1/16 256	7 178	1 25	10 254	34	15				
4 100	12 3/8 308	8 1/4 210	1 1/2 40	12 305	55	25				
5 125	15 5/8 397	11 1/4 286	2 50	20 508	90	40				
6 150	18 1/2 470	13 1/2 343	2 50	20 508	153	69				
8 200	21 3/8 543	15 1/2 394	2 50	22 3/4 578	220	100				
10 250	26 660	18 1/2 470	2 50	28 711	320	145				
12 300	29 7/8 759	22 1/4 565	2 50	30 762	550	250				
14 350	36 914	25 635	2 50	36 1/2 927	975	442				
16 400	41 3/8 1056	26 1/2 673	2 50	42 1067	1635	741				
18 450	46 1168	34 7/8 886	2 50	50 7/8 1292	2376	1078				
20 500	49 1/2 1257	39 991	2 50	55 3/8 1407	2675	1213				
24 600	58 3/8 1483	44 1/8 1122	2 50	67 1/4 1708	4880	2213				
781-SS-WE										
1/2 15	6 5/8 168	3 1/2 89	3/8 10	5 130	3	1.3				
3/4 20	8 5/16 211	3 3/4 95	1/2 15	5 130	9	4				
1 25	8 5/16 211	3 3/4 95	1/2 15	5 130	9	4				
1 1/4 32	10 1/8 257	5 1/4 133	1/2 15	7 178	12	5.4				
1 1/2 40	10 1/4 260	5 1/4 133	1/2 15	7 178	13	5.9				
2 50	10 1/4 260	5 1/4 133	1/2 15	7 178	13	5.9				
2 1/2 65	10 5/8 269	6 1/2 165	1 25	9 3/4 248	14	6.3				
3 80	12 305	7 178	1 25	10 254	20	9				
4 100	14 1/2 368	8 1/4 210	1 1/2 40	12 305	40	18				
5 125	19 9/16 491	13 1/2 343	2 50	20 508	90	40				
6 150	19 9/16 491	13 1/2 343	2 50	20 508	90	40				
8 200	23 3/8 594	15 3/4 400	2 50	22 3/4 578	168	76				
10 250	27 3/8 695	19 483	2 50	28 711	250	113				
12 300	32 813	22 1/4 565	2 50	30 762	440	200				
14 350	36 914	25 635	2 50	36 1/2 927	815	370				
16 400	41 1/8 1056	26 1/2 673	2 50	42 1067	1433	650				
18 450	46 1168	34 7/8 886	2 50	50 7/8 1292	2152	976				
20 500	49 1/2 1257	39 991	2 50	55 3/8 1407	2393	1085				
24 600	58 3/8 1483	44 1/8 1122	2 50	67 1/4 1708	4486	2034				



Model 781-SS



Model 781-SS-WE

Mueller Steam Specialty product specifications in U.S. customary units and metric are approximate and are provided for reference only. For precise measurements, please contact Mueller Steam Specialty Technical Service. Mueller Steam Specialty reserves the right to change or modify product design, construction, specifications, or materials without prior notice and without incurring any obligation to make such changes and modifications on Mueller Steam Specialty products previously or subsequently sold.

