

### 83106 Standard 831060 Part number 83106022



- Double break switching
- Options for operation in stable positions
- Choice of actuators and fixing positions

#### Part numbers

	Type	Function	Connections
83106022	Standard 831060	I (changeover)	W3

#### Specifications

##### Electrical characteristics

Rating nominal / 250 VAC (A)	5
Rating thermal / 250 VAC (A)	17,5

##### Mechanical characteristics

Maximum operating force (N)	4
Min. Release force (N)	1
Operating position (mm)	11,45 ±0,2 -0,25
Min. overtravel (mm)	0,7
Mechanical life (operations)	10 <sup>7</sup>
Max. permitted overtravel force (N)	20
Maximum rest position (mm)	12,75
Differential travel (mm)	0,5±0,2
Ambient operating temperature (°C)	-40 →+85
Contact gap (mm)	0,4 x 2
Weight (g)	8

#### Additional specifications

##### Components

##### Material

- Case : polyamide UL94V2 (83 106)
- Contacts : nickel silver

##### Levers

- Mild steel (zinc)
- Roller : polyamide
- Adjusting screws : self-retaining
- Plates : iridescent passivated mild steel (zinc)

**NB** : Fixing holes for these microswitches have metal ferrules.

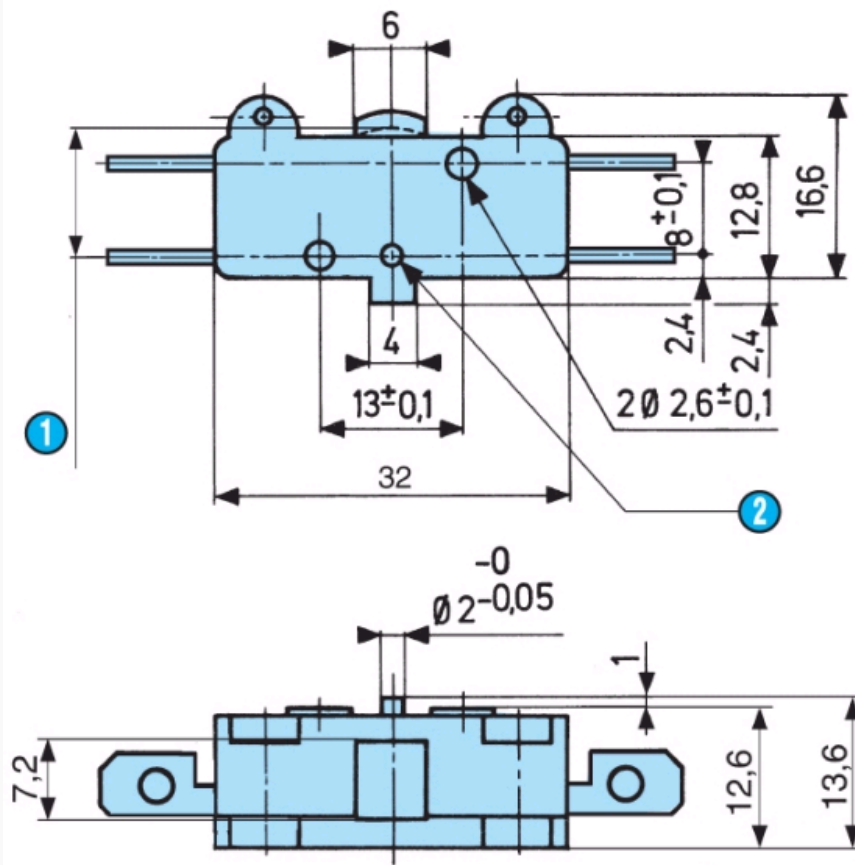
#### Principles



#### Dimensions (mm)

##### Product

83 106

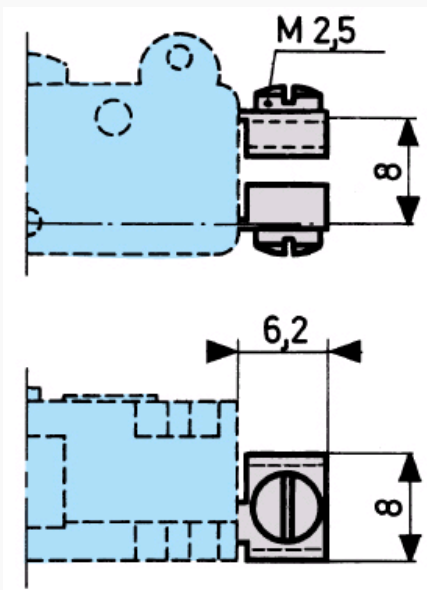


N°	Legend
1	OL = 10.65
2	Ø 2 <sup>+0.01+0.65</sup> Depth 1,2

#### Dimensions (mm)

#### Connections

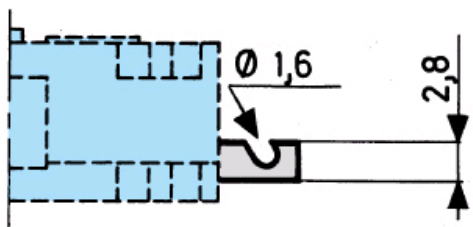
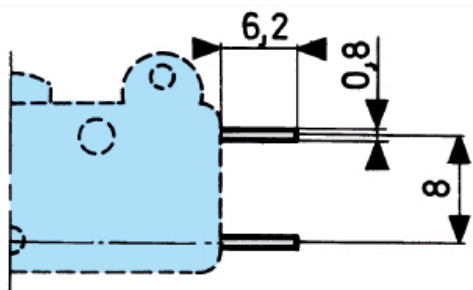
#### W1 screw



#### Dimensions (mm)

#### Connections

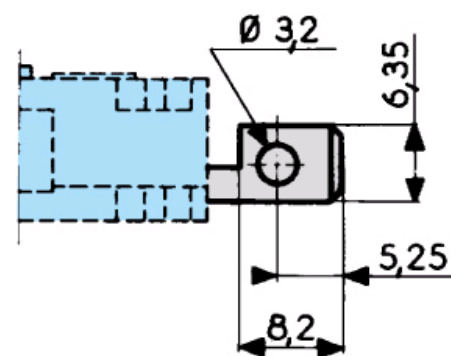
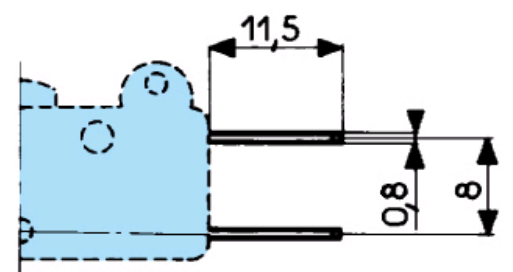
#### W2 solder



#### Dimensions (mm)

#### Connections

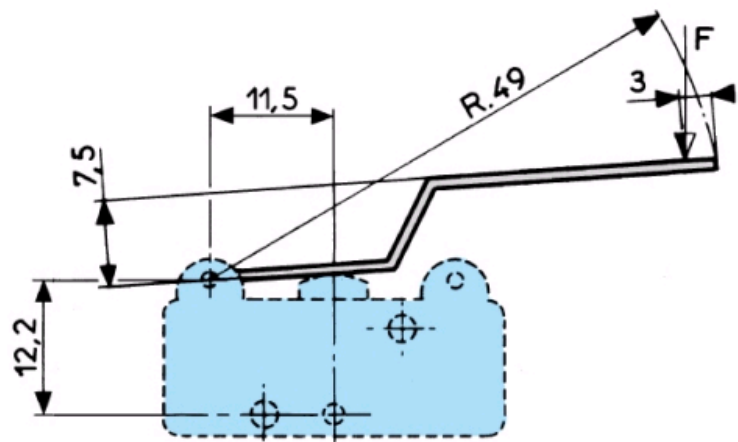
W3 for 6.35 mm clips



#### Dimensions (mm)

#### Actuators

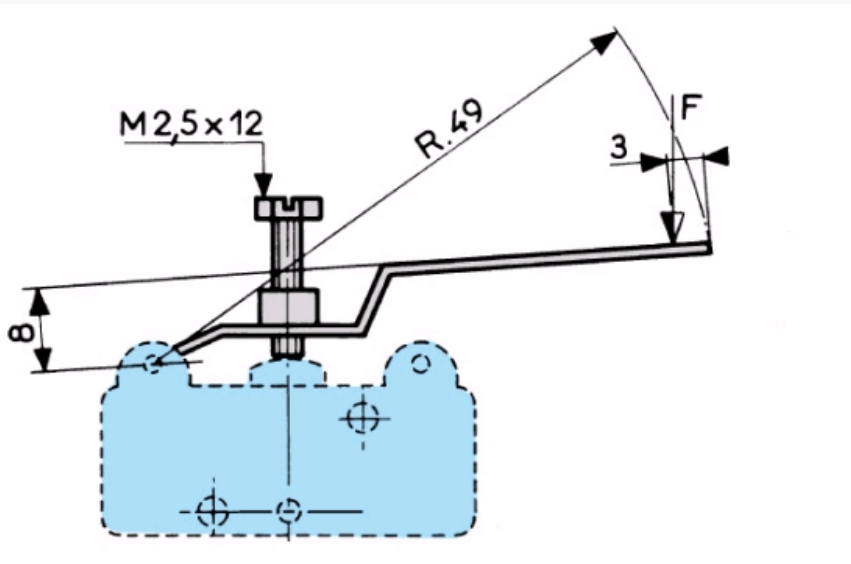
A



Lever cross-section 1 x 6.4 mm

**Dimensions (mm)**
**Actuators**

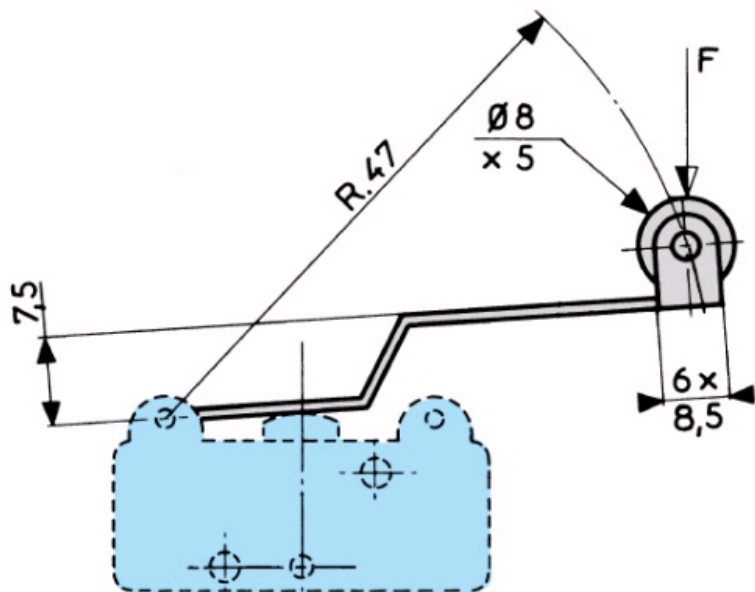
B



Lever cross-section 1 x 6.4 mm

**Dimensions (mm)**
**Actuators**

E

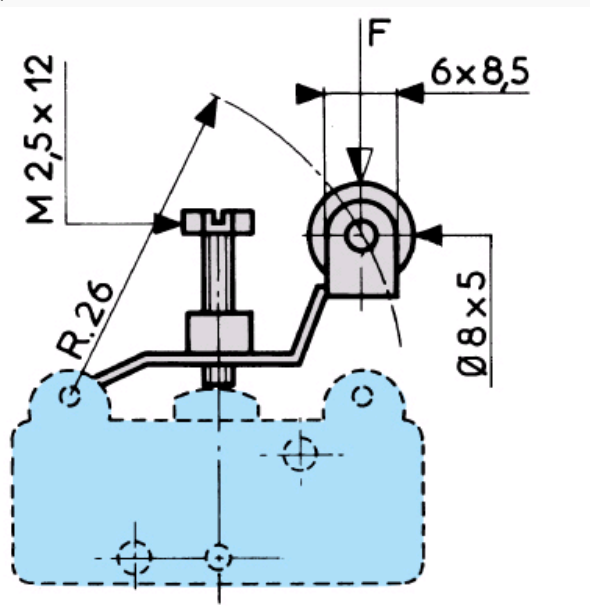


Lever cross-section 1 x 6.4 mm

#### Dimensions (mm)

#### Actuators

q

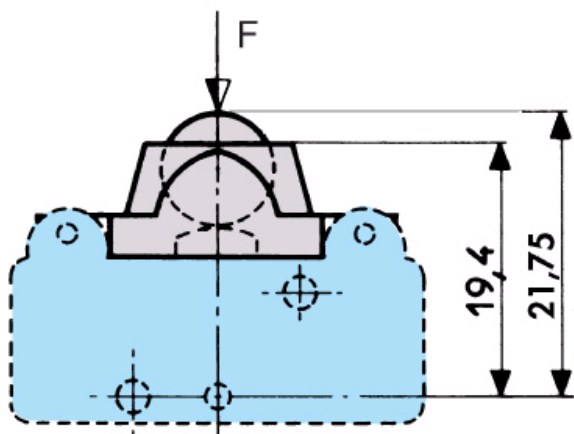


Lever cross-section 1 x 6.4 mm

#### Dimensions (mm)

#### Actuators

B9

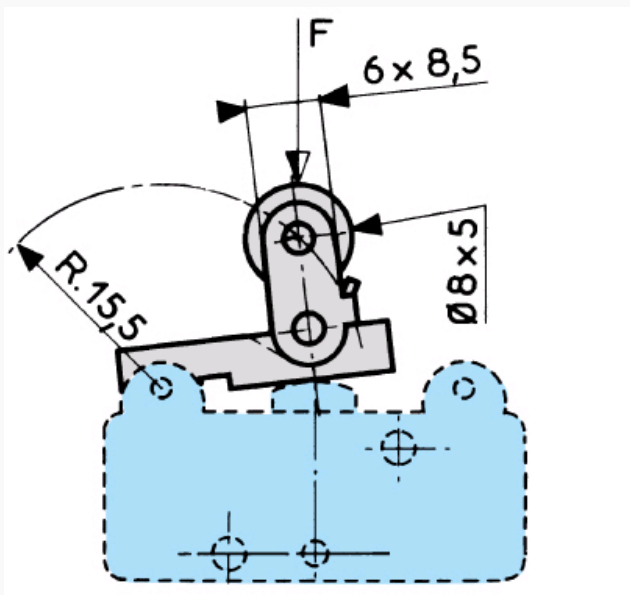


Lever cross-section 1 x 6.4 mm

#### Dimensions (mm)

#### Actuators

v3



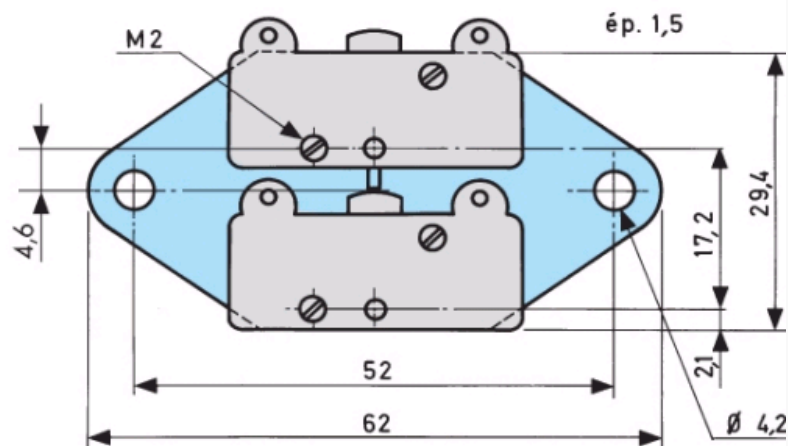
Lever cross-section 1 x 6.4 mm

#### Dimensions (mm)

#### Mounting accessories

O2

2-pole side mounting plate

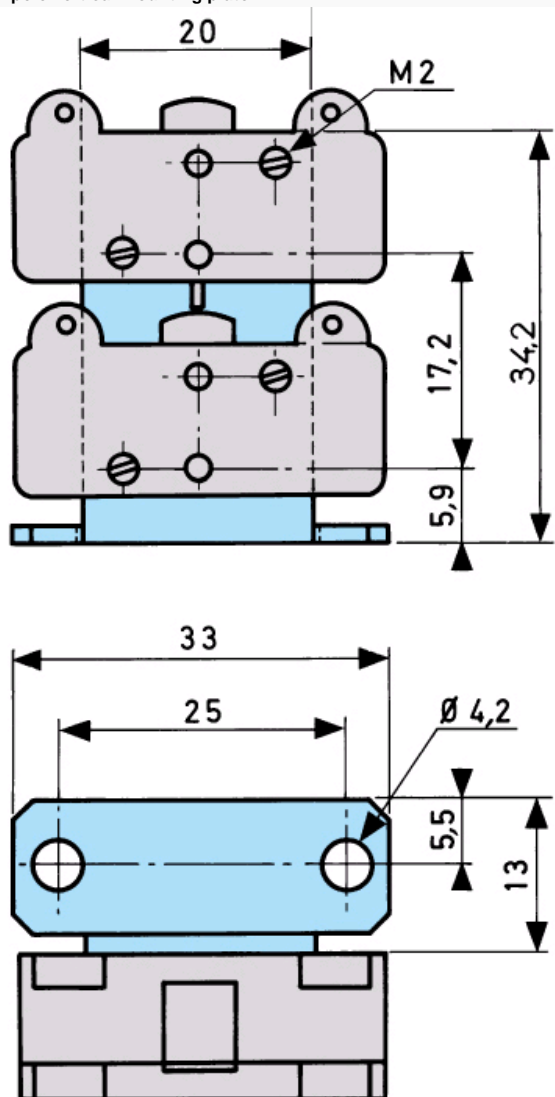


Lever cross-section 1 x 6.4 mm

#### Dimensions (mm)

#### Mounting accessories

K2  
2-pole vertical mounting plate

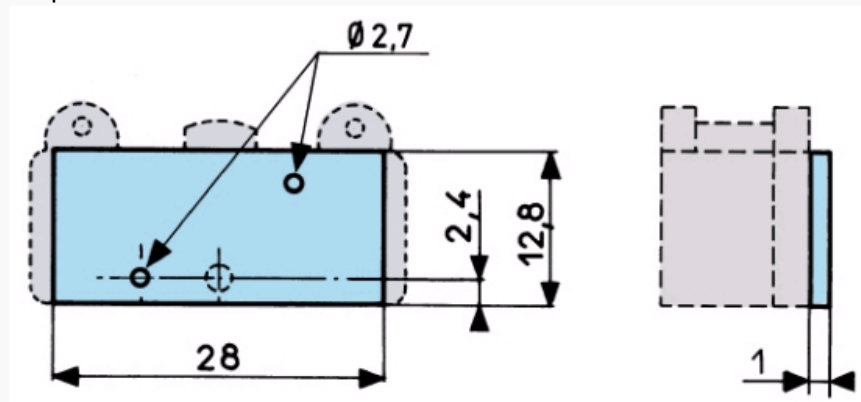


Lever cross-section 1 x 6.4 mm

#### Dimensions (mm)

#### Mounting accessories

Y  
Side plate

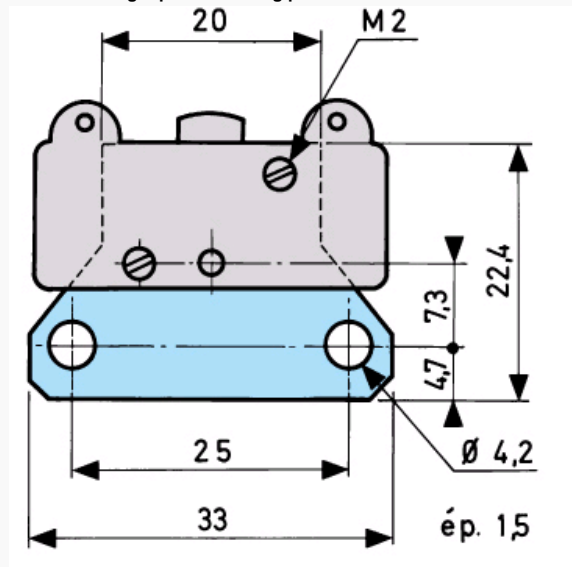


Lever cross-section 1 x 6.4 mm

#### Dimensions (mm)

#### Mounting accessories

H  
Horizontal single-pole mounting plate

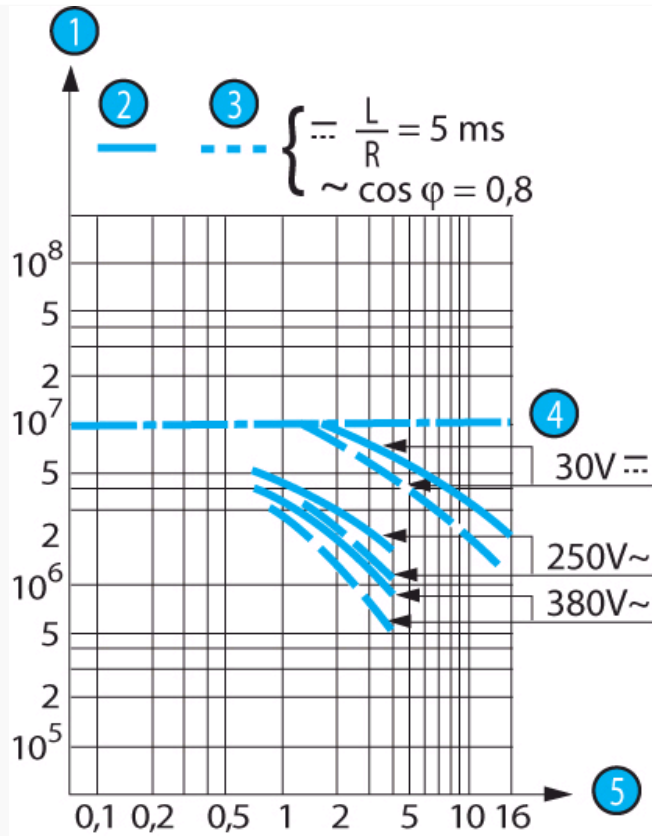


Unless indicated, the thickness of plates is 1.5 mm

#### Curves

Operating curve for types 83 106 0 / 4 / 7





N°	Legend
1	Number of cycles
2	Resistive circuit
3	Inductive circuit
4	Mechanical life limit
5	Current in Amps

**Connections**

**Actuators and fixing positions**

Actuators and fixing positions							
Actuators		A R49	B R47	E R47	Q	V3 R15.5	B9
Operating force - max.	N	1.2	1.2	1.2	2.8	4	4
Release force - min.	N	0.25	0.25	0.2	0.45	0.8	1
Pre-travel - max.	mm	6.2	6.2	6.2	3.2	1.45	1.5
Differential travel	mm	2,1 ±0,3	2,1 ±0,3	2,1 ±0,3	1,05 ±0,4	0,5 ±0,2	0,5 ±0,2
Total travel max.	mm	7,5	8,4	7,5	4,5	1,9	1,9

Except where otherwise indicated, the flat and roller levers are mounted as shown in the dimensional drawings (mounted on the left).

**Mounting accessories**

Y Side plate	H Horizontal single-pole mounting plate	Q2 2-pole side mounting plate	K2 2-pole vertical mounting plate

**Other information**

**Mounting - Operation**

See basic technical concepts

Product adaptations



- Special levers
- Reinforced spring
- Special contacts
- Approvals : UL - cUL