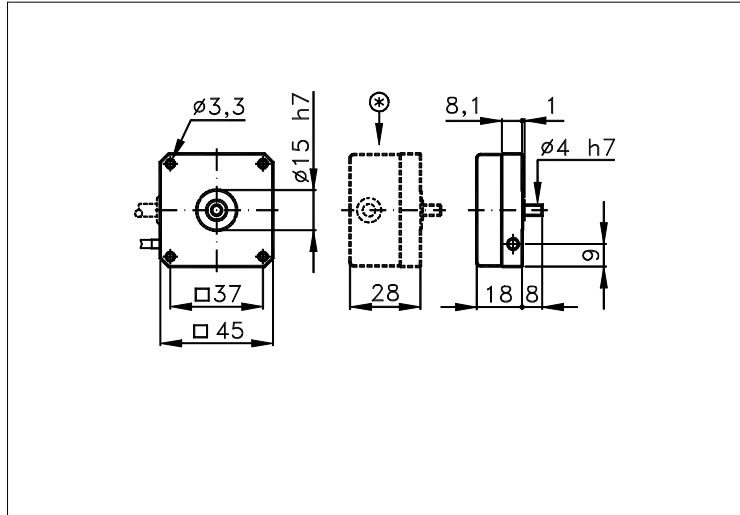


Sized draw standard version: CV R Measures without tolerance according to UNI ISO 2768-mk



* FOR ELECTR. THAT ARE NOT '-', 'K', 'N' OR FOR PULS.>2540.

TECHNICAL FEATURES AND POSSIBLE CONFIGURATIONS

- Base.....: ANODIZED ALUMINIUM (*)
 - Cover.....: ANODIZED ALUMINIUM (*)
 - Weight.....: 120 g
 - Shaft.....: Ø 4 STAINLESS STEEL (*)
 - Max.rad/axial load.: 0,7 kg
 - IP output side.(°): see 'CONNECTION' of page 2
 - IP shaft side.(°)> opt. type (page 2):>

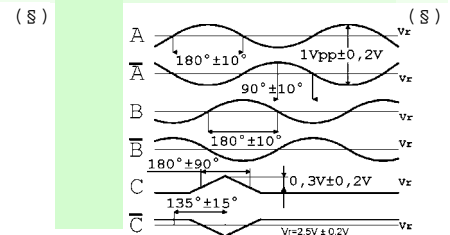
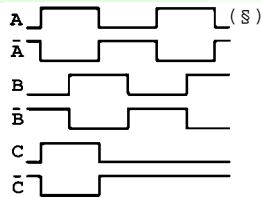
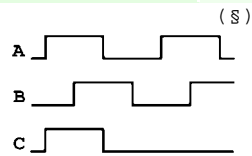
std. 64	sealed 65	low torq. 53
standard	Z	B
 - Contin. max RPM(**)>:

6000	3000	12000
------	------	-------
 - Starting torque gcm>:

12	25	8
----	----	---
 - Ball bearings life....: 1,5 x 10⁹ revolutions
 - Impact resistance....: 50 G x 11ms
 - Vibration resistance.: 12 G (10 ÷ 2000 Hz)
 - Power supply.....: 5÷30V (see page 2)
 - Operating temperature: 0 ÷ 70 °C (*)
 - Storage temperature...: -30 ÷ 85 °C
 - N° of pulses/rev.....: 1 ÷ 10000
 - Max frequency.....: 60 kHz (160 option)
 - Max consumptions mA...: std 120 line driver 180 (*)
 - Light source.....: LED with >= 100000 h life
- (°) IP according to CEI EN 60529, EN 60529, IEC 529
(*) custom options
(**) intermittent max RPM + 30% of continuous max RPM

ELECTRONICS

CODE	DESCRIPTION	mA	CODE	DESCRIPTION	mA	CODE	DESCRIPTION	mA	CODE	DESCRIPTION	mA
	STANDARD NPN	10	N	DRIVER 26LS31	30				Y	SINUSOID. 1Vpp	10
K	NPN OPEN COLL	10	T	TTL 7404	10						
Q	NPN	70	C	DRIVER 88C30	20						
R	NPN OPEN COLL	70									
P	PNP	70									
U	PNP OPEN COLL	70									
B	PUSH-PULL PRO	70									
H	PUSH-PULL	70									



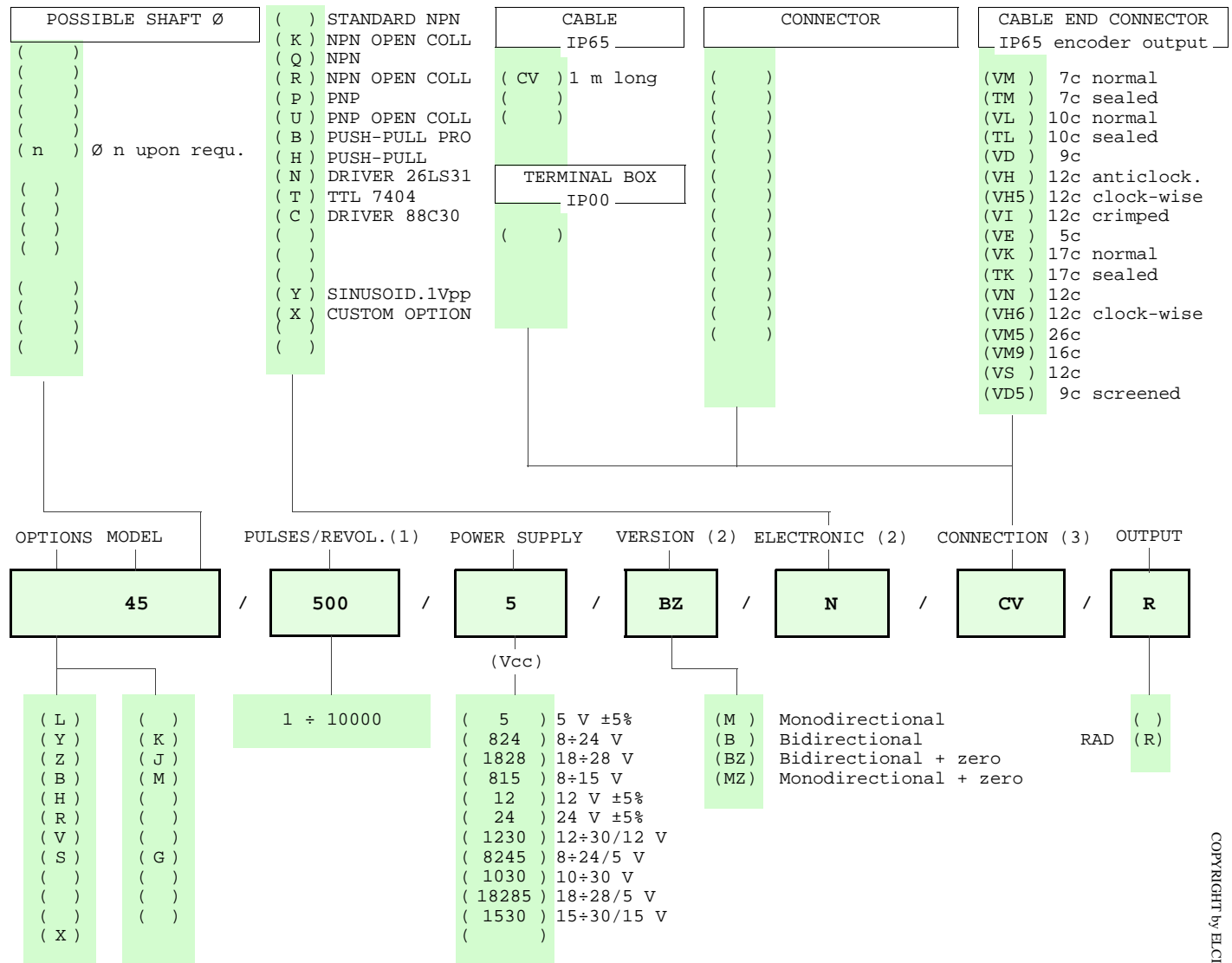
Tolerance between phases ± 25°, symmetry ± 15°

(§) Clock-wise output rotation (see shaft).

	ELCIS s.r.l. Via Rosa Luxembourg 12/14 10093 COLLEGNO (TO) ITALY Phone: +39 011 715577/78 a.r. MAIL: ELCIS s.r.l. P.O.Box 90 10093 COLLEGNO (TO) ITALY	* http://www.elcis.com * e-mail: info@elcis.com * Fax: +39 011 712613
	FEMA ELECTRÓNICA, S.A. Altimira 14 - Pol.Ind.Santiga 08210 Barberà del Vallès - BARCELONA - SPAIN	* http://www.fema.es * e-mail: info@fema.es * Tel.: +34 93.729.6004

POSSIBLE OPTIONS				POSSIBLE CONNECTIONS			
CODE	DESCRIPTION	CODE	DESCRIPTION	CABLE		OUTPUT :	
L	Low temperature			CV			RAD
Y	Unbreakable disk	K	Invert. phase A,B,Zero.	CONNECTOR		OUTPUT :	
Z	Sealed ball bearing	J	Zero logic combination	CABLE END CONNECTOR		OUTPUT :	
B	Low torque ball bear.	M	Impregnated electronic	VM	TM	VL	TL
H	Different shaft Ø			VD	VH	VH5	VI
R	75 KHz frequency	G	Tropicalization	VE	VK	TK	VN
V	100 KHz frequency			VM5	VM9	VS	
S	160 KHz frequency			VD5			RAD
X	Custom options			TERMINAL BOX		OUTPUT :	

ORDERING INFORMATION



NOTE: FOR 88C30 MAX 15 Vdc

Product manufactured according to UNI EN ISO 9001:2000 supplied with CHECKING and CONFORMITY declaration with CE mark and with TWO (2) YEARS WARRANTY starting from delivery date.

- (1) For further information see PULSES/REVOL. data sheet
- (2) For further information see ELECTRONIC data sheet
- (3) For further information see CONNECTION data sheet

	<p>ELCIS s.r.l. Via Rosa Luxembourg 12/14 10093 COLLEGNO (TO) ITALY Phone: +39 011 715577/78 a.r. MAIL: ELCIS s.r.l. P.O.Box 90 10093 COLLEGNO (TO) ITALY</p>	<p>* http://www.elcis.com * e-mail: info@elcis.com * Fax: +39 011 712613</p>
	<p>FEMA ELECTRÓNICA, S.A. Altimira 14 - Pol.Ind.Santiga 08210 Barberà del Vallès - BARCELONA - SPAIN</p>	<p>* http://www.fema.es * e-mail: info@fema.es * Tel.: +34 93.729.6004</p>

COPYRIGHT by ELCIS - Collegno (TO)