

CPP-45 Series - CPP-45, CPP-45B

Will be discontinued
in June 2021



- Conductive Plastic Angle Sensor
- Effective Electrical Travel : 350°
- Independent Linearity : ±0.3%
- Servo Mount and Screw Mount
- Shaft:
 - CPP-45 : φ4mm Shaft
 - CPP-45B : φ6mm Shaft

【Options】

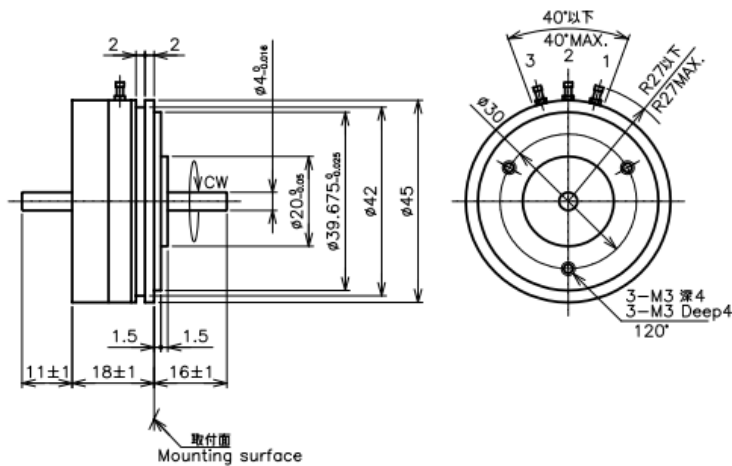
- Independent Linearity : ±0.1%
- Multi Ganging : More than 4 sections, please contact us.
- Additional Taps : Up to 8 taps
 - For Output : Type (A) ... No shorted angle
 - For Input : Type (B) ... 1~5°shorted on Tap
- Additional Center Tap :
 - C.T(A) ... No shorted angle
 - C.T(B) ... Shorted on Tap (Shorted angle 1~5°)

【Material】

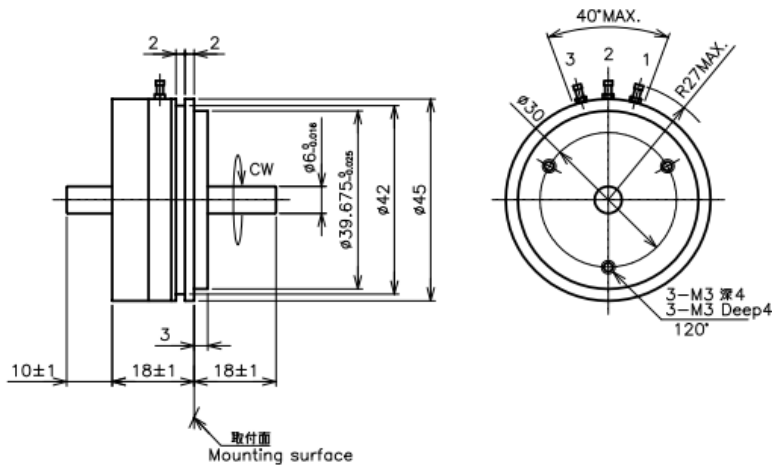
- Housing : Aluminum
- Shaft : Stainless Steel
- Ball Bearing : Stainless Steel

Dimension [mm]

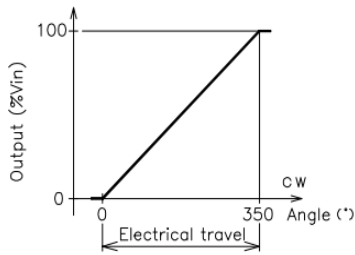
CPP-45



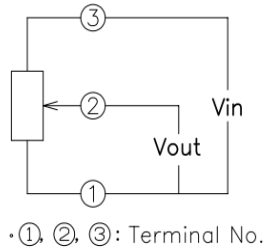
CPP-45B



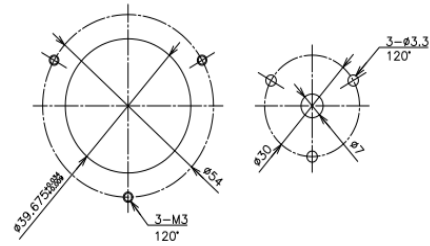
Output Characteristics



Schematic



Mounting



Servo Mount

Screw Mount

Model No.	CPP-45 <φ4mm Shaft>	CPP-45B <φ6mm Shaft>
-----------	------------------------	-------------------------

Electrical Specifications

Effective Electrical Travel	350 +2, -3	°
Total Resistance	0.5, 1, 2, 5, 10, 20	kΩ
Total Resistance Tolerance	±15	%
Independent Linearity	±0.3 (Special Linearity ±0.1%)	%
Rated Dissipation	3/70°C	W
Output Smoothness	MAX. 0.1	%
Insulation Resistance	MIN. 100/DC1000V	MΩ
Dielectric Strength	AC1000/1 Minute	V
Temperature Coefficient of Resistance	±400	ppm/K

Mechanical Specifications

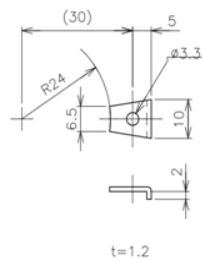
Total Mechanical Travel	360 Endless	°	
Torque	MAX. 1.8 (Additional 1.5mN·m/add one gang)	mN·m	
Thrust Load Tolerance	1	2	N
Radial Load Tolerance	5	6	N
Mass	Approx. 60 (Additional 10g/add one gang)	g	

Environmental Specifications

Life Cycles	10 Million	Cycle
Category Temperature Range	-40 ~ +120	°C
Storage Temperature Range	-40 ~ +120	°C
Vibration	150m/s ² 2000Hz 3 axis 2 hours each	
Shock	500m/s ² 11ms 6 directions 3 times	

Accessories

Mounting Cleats : 3 pieces



Handling Instruction

- To avoid burnout of resistive element, do not supply more than 1mA current to terminal 2.
- Miswiring might cause burnout of resistive element.
- To reduce sliding noise, add load resistance should be more than 100times and less than 1000times of total resistance.
- Slight continuous vibration such as dither might cause short lifetime of the sensor.