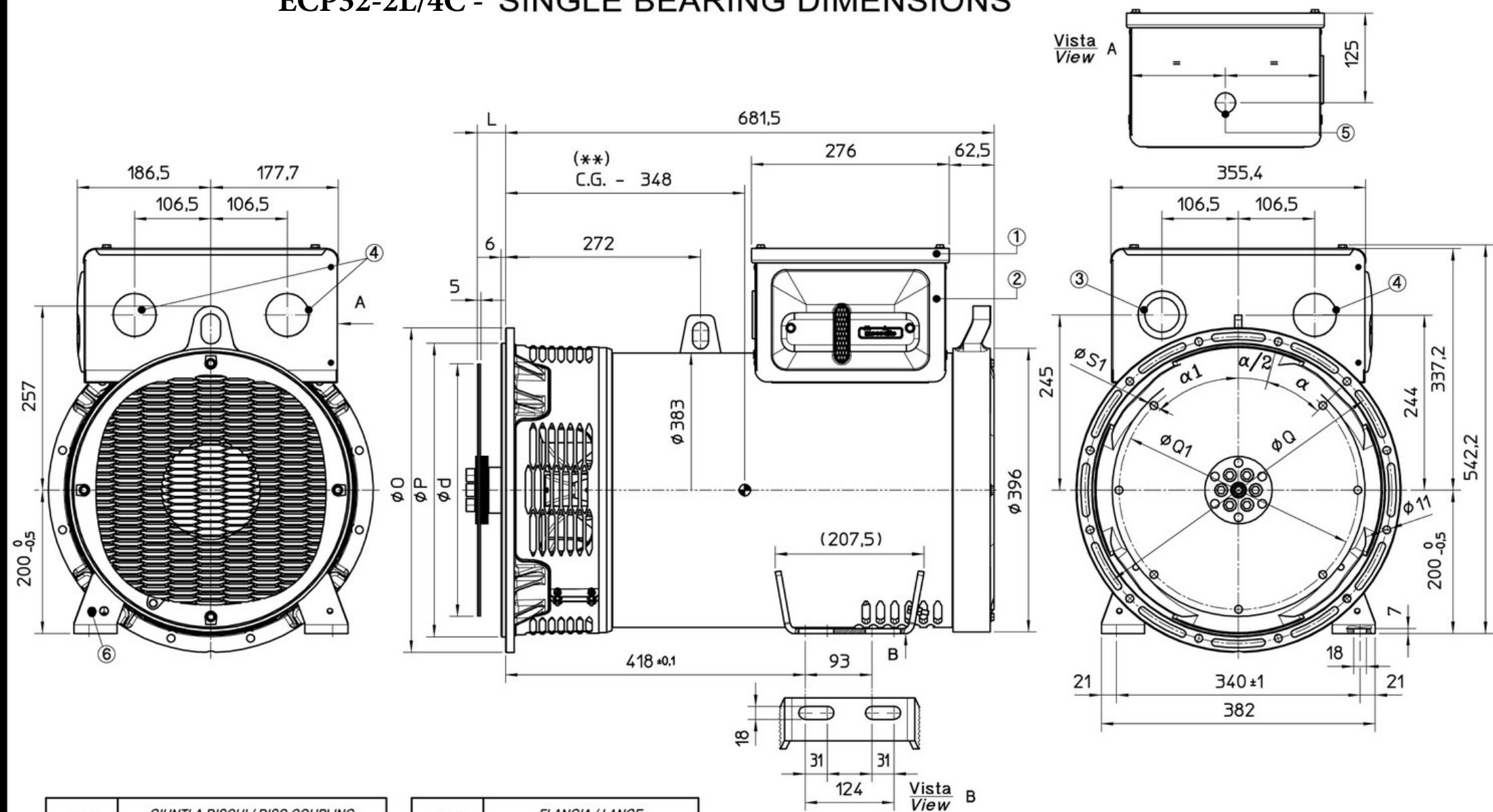


# ECP32-2L/4C - SINGLE BEARING DIMENSIONS



SAE N.	GIUNTI A DISCHI / DISC COUPLING DISCQUE DE MONOPALIER / SCHEIBENKUPPLUNG				
	d	L	Q1	S1	$\alpha 1$
6 1/2	215.9	30.2	200	9	60°
7 1/2	241.3	30.2	222.25	9	45°
8	263.52	62	244.47	11	60°
10	314.32	53.8	295.27	11	45°
11 1/2	352.42	39.6	333.37	11	45°

SAE N.	FLANGIA / LANGE BRIDE / FLANSCH			
	O	P	Q	$\alpha$
5	356	314.3	333.4	45°
4	402	362	381	30°
3	453	409.6	428.6	30°
2	490	447.7	466.7	30°
1	553	511.2	530.2	30°

- 1- REMOVABLE COVER FOR ACCESS TO MAIN TERMINALS
- 2- REMOVABLE PANEL FOR ACCESS TO AVR
- 3- STANDARD HOLE ON FRONT FOR CABLE ENTRY  $\phi 60$
- 4- PRE-CUT ON MAIN PANEL FOR CABLE ENTRY  $\phi 60$
- 5- PRE-CUT ON LATERAL PANEL FOR CABLE ENTRY  $\phi 28$
- 6- SCREW M6 FOR BODY EARTHING
- (\*\*) - GRAVITY CENTER IN CONFIGURATION SAE 3 FLYWHEEL 11 1/2