



PILOT LAMP

KH-2203 Series



CLASSIFICATION

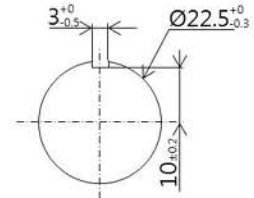
KH-2203 L - 1 R

① ② ③

① LAMP	NONE	FILAMENT LAMP
① LAMP	L	LED LAMP
② INPUT VOLTAGE	1	110VAC 50/60 Hz
② INPUT VOLTAGE	2	220VAC 50/60 Hz
② INPUT VOLTAGE	3	230VAC 50/60 Hz
② INPUT VOLTAGE	TL	6, 12, 24 AC/DC
③ COLOR	R	RED
③ COLOR	G	GREEN
③ COLOR	Y	YELLOW
③ COLOR	O	ORANGE
③ COLOR	W	WHITE
③ COLOR	B	BLUE



KH-2203-1
 KH-2203-2
 KH-2203-3
 KH-2203L-1
 KH-2203L-2
 KH-2203L-3



Panel Cut

CONTROL COMPONENTS

SQUARE LIGHT

TOWER LIGHT

MICRO SWITCH

FOOT SWITCH

LIMIT SWITCH

POWER SWITCH

HOIST SWITCH

CAM SWITCH

BUZZER

PHOTO SENSOR

PROXIMITY SENSOR

FLOATLESS LEVEL SWITCH

TIMER & COUNTER

RELAY

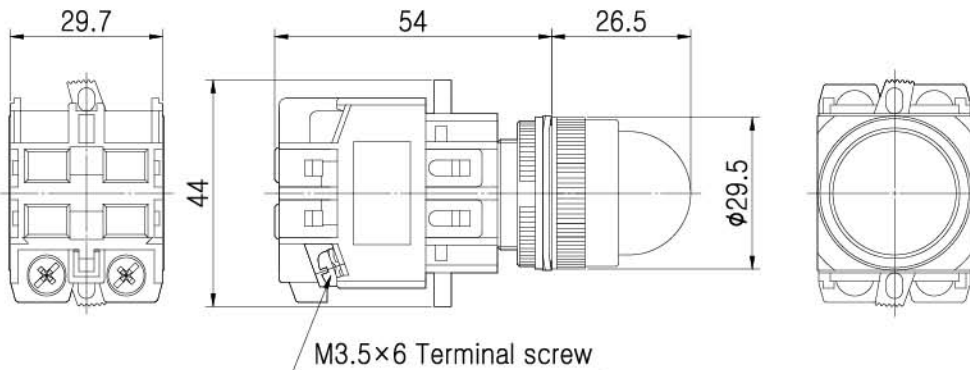
SOCKETS

TERMINAL BLOCK

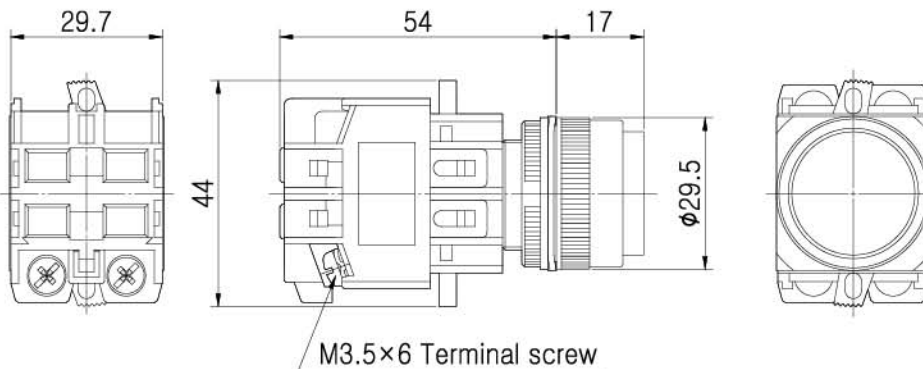
CONTROL BOX

PID TEMP. CONTROLLER

KH-2203(R Cap)-Model

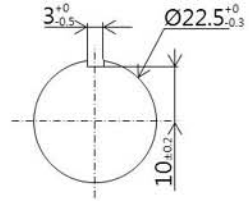


KH-2203(F Cap)-Model



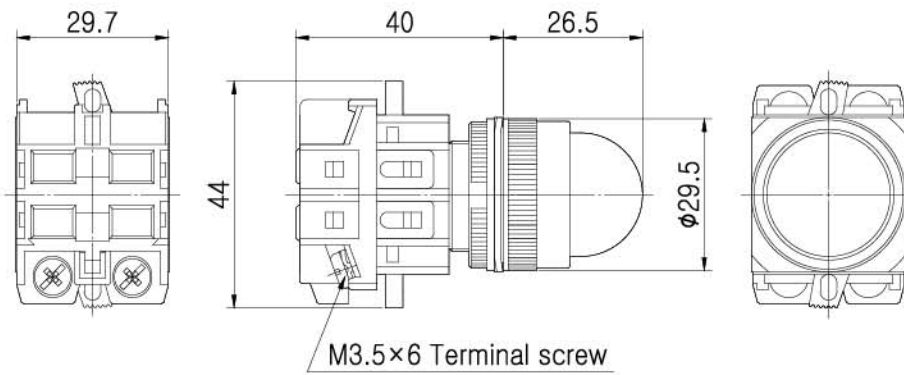


KH-2203-TL
KH-2203L-TL

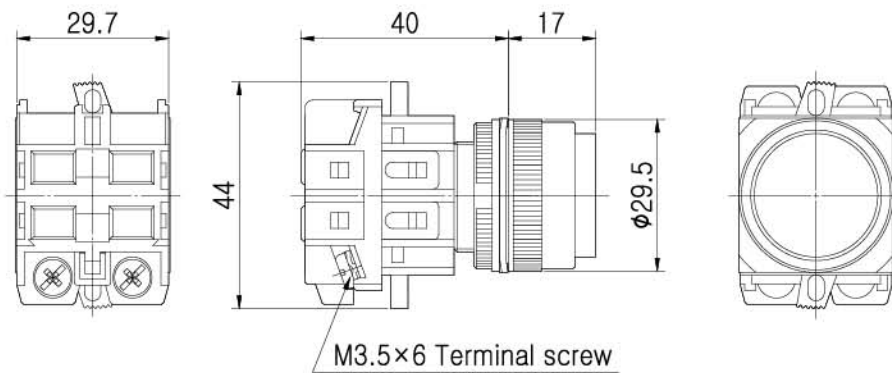


Panel Cut

KH-2203-TL(R Cap)-Model



KH-2203-TL(F Cap)-Model





Technical Information

Material

Contact

Silver alloy + Copper

Housing

BODY: Nylon glass

Ring

Nylon glass

Cap

AS

Electrical Characteristics

Standards

This product comply with “Standards for low-voltage switching devices” EN IEC 60947-5-1

Insulation Resistance

Minimum 100M Ω (500VDC)

Contact Resistance

Maximum 30m Ω

Dielectric Strength

Between Live Parts: 1,500VAC(50/60Hz) for 1 minute

Between Live and Dead Parts: 1,500VAC(50/60Hz) for 1 minute

CONTROL
COMPONENTS

SQUARE
LIGHT

TOWER
LIGHT

MICRO
SWITCH

FOOT
SWITCH

LIMIT
SWITCH

POWER
SWITCH

HOIST
SWITCH

CAM
SWITCH

BUZZER

PHOTO
SENSOR

PROXIMITY
SENSOR

FLOATLESS
LEVEL SWITCH

TIMER &
COUNTER

RELAY

SOCKETS

TERMINAL
BLOCK

CONTROL
BOX

PID TEMP.
CONTROLLER



Environmental conditions

Operational Temperature

-15°C~+50°C

Operational Humidity

45~85%RH

Protection Degree

IP56

Shock Resistance

Approximately 50G

Vibration Resistance

10~55Hz double amplitude 1.5mm (at X, Y and Z axis)

Approvals

Approbations

UL, CCC, KC

Declaration of Conformity

CE