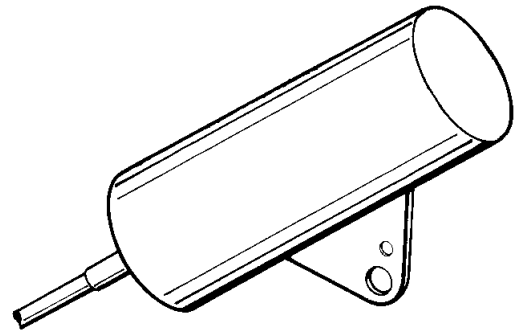


Infrared Sensors recognize the natural radiation of warm objects over a great distance. They are applied when other proximity switches cannot operate properly because of high radiation or ambient temperatures.

### Technical Data

<b>Type</b>	<b>OKA 204.05 G</b>
Art.-Nr.	6410A
Response temperature	430 °C
View angle	2°
Detected surface at 2m	∅ 170 mm
Output	normally open
Supply voltage	20 - 260 V AC / DC
Power frequency	40 - 440 Hz
Ripple voltage	max. 15 % (DC)
Load current max.	5 - 400 mA
Short-time load current	2 A / 10 ms 0,8 A / 100 ms
Short circuit protection	yes, pulsing
Residual current	1,7 mA / 260 V AC 1,0 mA / 24 V DC
Voltage drop	9 V
Operating frequency	1500 Hz (DC)
Ambient temperature	-20 ... +75 °C
Protection class	IP 67
Connection	2 m POKT-Therm cable with G 3/4" flexible tube connection
Function display	LED
Housing	stainless steel



### Diagram of Connections

