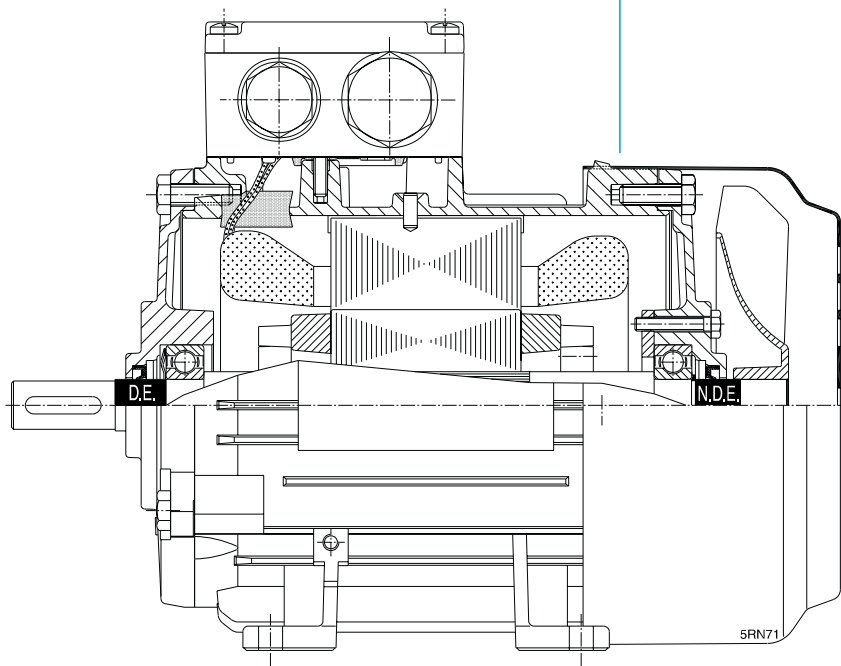


rotor nl[®]

squirrel-cage induction motors



type

5RN

frame sizes

56 to 90

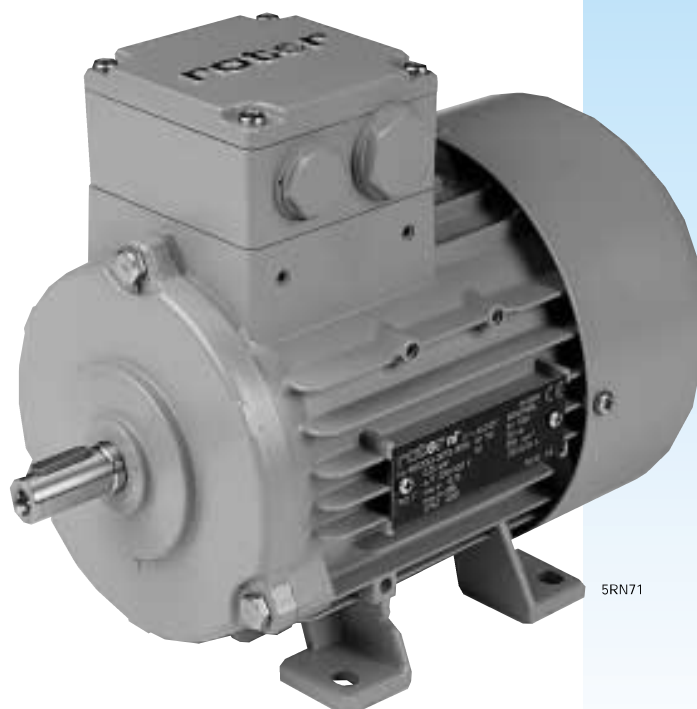
outputs (S1-50 Hz)

0.12 to 2.2 kW
2-pole, 3000 min⁻¹

0.09 to 2.2 kW
4-pole, 1500 min⁻¹

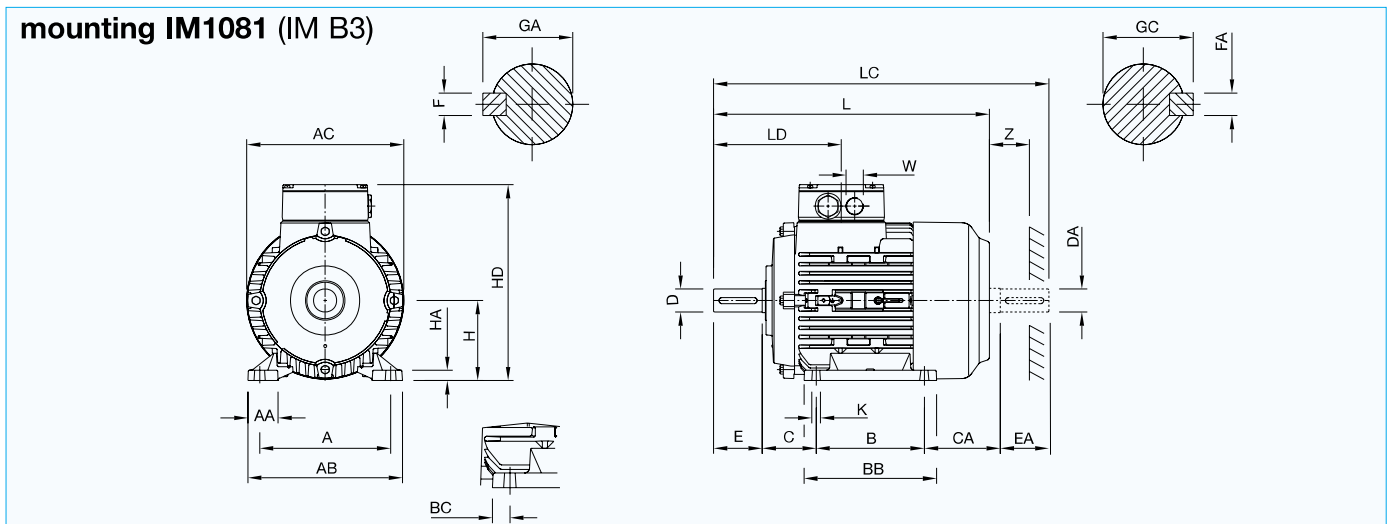
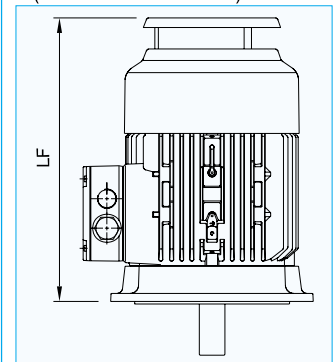
0.06 to 1.1 kW
6-pole, 1000 min⁻¹

0.04 to 0.75 kW
8-pole, 750 min⁻¹



type **5RN**

design	<ul style="list-style-type: none"> - cast iron end-shields and flanges - aluminium housing - all frame sizes aluminium terminal box (turnable 4 x 90°) - SKF ball bearings or equivalent, type 2Z and fixed on N.D.E. side 	special executions	<ul style="list-style-type: none"> - on request for instance: - protection class IPW55 - IP56 - stand by heating (IEC 90) - P.T.C.thermistors/bi-metals - special voltages - acc. shipping classifications - extra pre loaded ball bearings - special shafts and flanges - with mounted brake - 2 comp. epoxy coating - extra dimensions terminalbox 90 x 90 mm or 120 x 120 mm - terminalbox by side IEC 80-90 - double flange exec. TE.A.O./ T.E.N.V. - extra types with higher output as recommended EN 50347 - client specifications and so on (see our pricelist)
mounting	<ul style="list-style-type: none"> - foot mounted motor IM 1081 (IM B3) - flange mounted motor IM 3041 (IM B5) IM 3641 (IM B14) - foot flange mounted motor IM 2081 (IM B35) - IM 2181 (IM B34) - 2nd shaftend IM ***2 - all frame-mountings according IEC 34-7 code II (I) 	canopy on fanhood	<ul style="list-style-type: none"> - necessary in the execution Ex-II-2G-EEx-e-II-T3 vertical mounted (with shaft downwards)
dimensions	- according IEC 72 / DIN 42673, DIN 42677		
cooling	<ul style="list-style-type: none"> - T.E.F.C IC 411 according IEC 34-6 with external cooling (5RN 63-90) - T.E.N.V. IC 410 according IEC 34-6 delivery of warmth by convection (5RN56) 		
protection class	- IP55		
insulation class	- F (temperature limit 155°C)		
temperature rise	- within class B (≤ 80 K)		
balancing	- half key IEC 34-14		
technical information	- test reports and certificates available		



IM 1081 (IM B3)																				dimensions in mm.	
type	A	AA	AB	AC	AD*	B	BB	BC	C	CA	H	HA	HD*	K	L	LF	LC	LD	W	Z(>)	
5RN56M	90	25	110	116	101	71	87	8	36	53	56	6	157	5.8 (M5)	149.5	n.a.	200	89.5	M25 + M16 (PG25+PG16)	-	
5RN63M	100	27	120	118	101	80	96	8	40	66	63	7	164	7 (M6)	202.5	208.5	232	92.5	idem	50	
5RN63M-V*	100	27	120	118	101	80	96	8	40	92	63	7	164	7 (M6)	228.5	234.5	258	92.5	idem	50	
5RN71M	112	30.5	132	139	111	90	106	8	45	83	71	7	182	7 (M6)	240	238	278	93.5	idem	50	
5RN71M-V*	112	30.5	132	139	111	90	106	8	45	83	71	7	182	7 (M6)	240	238	278	93.5	idem	50	
5RN80M	125	30.5	150	156	120	100	118	9	50	94	80	8	200	9 (M6)	273.5	261.5	324	103.5	idem	50	
5RN80M-V*	125	30.5	150	156	120	100	118	9	50	135	80	8	200	9 (M6)	313.5	302.5	365	103.5	idem	50	
5RN90S	140	30.5	165	174	128	100	143	9	56	143	90	10	218	10 (M8)	331	333	399	125	idem	50	
5RN90L	140	30.5	165	174	128	125	143	9	56	118	90	10	218	10 (M8)	331	333	399	125	idem	50	
5RN90L-V*	140	30.5	165	174	128	125	143	9	56	161	90	10	218	10 (M8)	374	376	442	125	idem	50	

framesize			56	6201-2Z/C3	71	6202-2Z/C3	90	6205-2Z/C3
<i>bearingtype</i>	D.E. and N.D.E		63	6201-2Z/C3	80	6204-2Z/C3		

shaft extension with
tapped centre bore

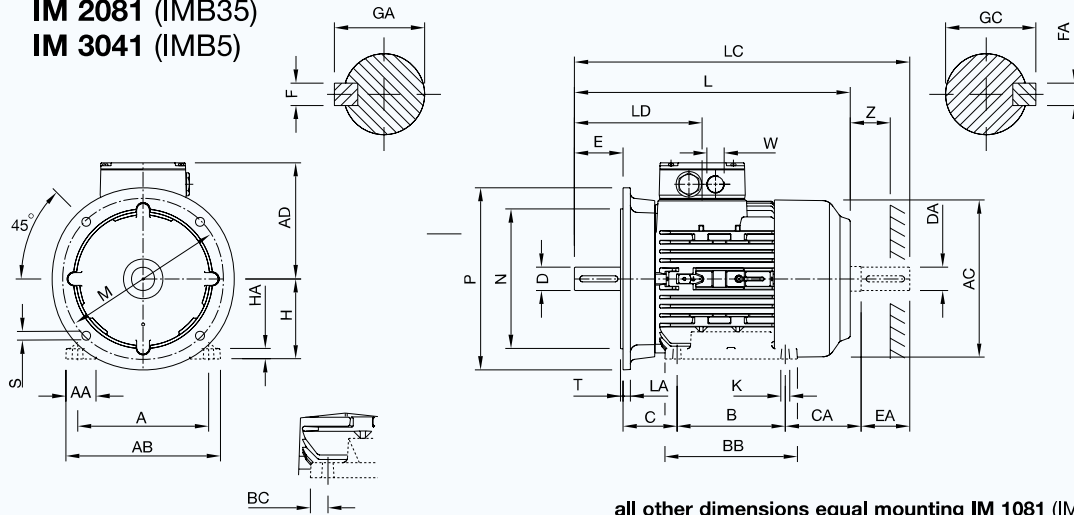
according DIN 332 type DS

cable inlet

- 1 × M25 + 1 × M16
(1 × PG16 + 1 × PG11)

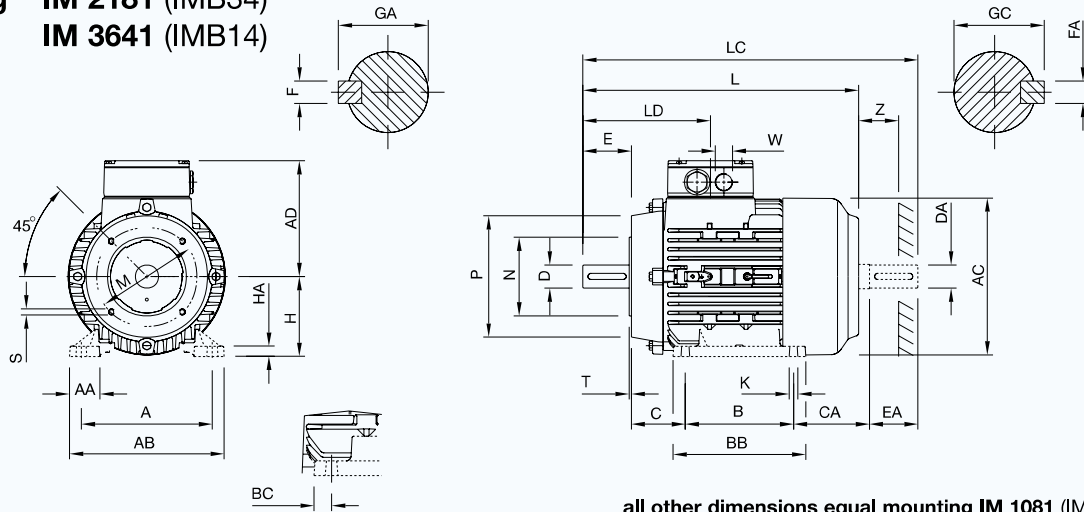
- shaft \varnothing 9 - M3 x 9
- \varnothing 11 - M4 x10
- \varnothing 14 - M5 x13
- \varnothing 19 - M6 x16
- \varnothing 24 - M8 x19

mounting **IM 2081 (IMB35)**
IM 3041 (IMB5)



all other dimensions equal mounting IM 1081 (IM B3)

mounting **IM 2181 (IMB34)**
IM 3641 (IMB14)



all other dimensions equal mounting IM 1081 (IM B3)

shaft dimensions								dimensions in mm.																				
D	j6	E	F	GA	DA js6	EA	FA	GC	M	N	j6	P	S	T	LA	M	N	j6	P	S	T	M	N	j6	P	S	T	
9		20	3	10.2	9	20	3	10.2	100	80	120	7 (M6)	3	8	65	50	80	M5 x 10	2.5	85	70	105	M6 x 10	2.5				
11		23	4	12.5	11	23	4	12.5	115	95	140	10 (M8)	3	8	75	60	90	M5 x 10	2.5	100	80	120	M6 x 10	3				
11		23	4	12.5	11	23	4	12.5	115	95	140	10 (M8)	3	8	75	60	90	M5 x 10	2.5	100	80	120	M6 x 10	3				
14		30	5	16	14	30	5	16	130	110	160	10 (M8)	3.5	8	85	70	105	M6 x 10	2.5	115	95	140	M8 x 12	3				
14		30	5	16	14	30	5	16	130	110	160	10 (M8)	3.5	10	85	70	105	M6 x 10	2.5	115	95	140	M8 x 12	3				
19		40	6	21.5	19	40	6	21.5	165	130	200	12 (M10)	3.5	10	100	80	120	M6 x 10	3	130	110	160	M8 x 12	3.5				
19		40	6	21.5	19	40	6	21.5	165	130	200	12 (M10)	3.5	10	100	80	120	M6 x 10	3	130	110	160	M8 x 12	3.5				
24		50	8	27	24	50	8	27	165	130	200	12 (M10)	3.5	10	115	95	140	M8 x 13	3	130	110	160	M8 x 13	3.5				
24		50	8	27	24	50	8	27	165	130	200	12 (M10)	3.5	10	115	95	140	M8 x 13	3	130	110	160	M8 x 13	3.5				
24		50	8	27	24	50	8	27	165	130	200	12 (M10)	3.5	10	115	95	140	M8 x 13	3	130	110	160	M8 x 13	3.5				

*note : correction of dimensions AD and HD with protection class EEx-e-II-T3 type 5RE 63 to 90 + 14 mm

*note : extra type (not standardized) with higher outputs as mentioned in NEN 3321 and DIN 42673 (ΔT max. : F-cl.)