

ERZ. | Adjustable handles

Technopolymer, steel or stainless steel clamping element

INCH

INOX
STAINLESS
STEEL

RoHS

PA

+266 °F
-22 °F

- 1
- 2
- 3
- 4
- 5
- 6
- 7
- 8
- 9
- 10
- 11
- 12
- 13
- 14
- 15
- 16
- 17
- 18

LEVER BODY

Glass-fibre reinforced polyamide based (PA) technopolymer, grey-black colour, matte finish.

STANDARD EXECUTIONS

- **ERZ-A:** black-oxide steel clamping element with threaded hole and retaining screw. AISI 302 stainless steel return spring.
- **ERZ-SST:** AISI 303 stainless steel clamping element with threaded hole and retaining screw. AISI 302 stainless steel return spring.
- **ERZ-p:** black-oxide steel clamping element with threaded screw and retaining screw. AISI 302 stainless steel return spring.
- **ERZ-SST-p:** AISI 303 stainless steel clamping element with threaded screw and retaining screw. AISI 302 stainless steel return spring.

FEATURES AND APPLICATIONS

Particularly suitable when the lever turning angle is limited owing to lack of space.

The metal teeth of the built-in zinc alloy insert allow the assembly of clamping elements completely made out of metal, which can be easily modified by machining in case of special assembly requirements.

SPECIAL EXECUTIONS ON REQUEST

Lever body in orange colour.

INSTRUCTIONS OF USE

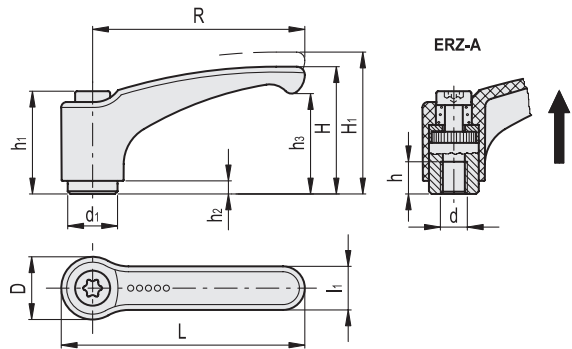
For clamping, lift the lever to disengage the clamping device teeth and bring it back to start position. By releasing the lever, the return spring automatically engages the teeth.

If the lever cannot make a 360° rotation, the clamping element can be easily screwed by means of the hexagon socket front head screw (after having disengaged the lever).



ERGOSTYLE® ELESA Original design

ERZ-A
ERZ-SST



INCH

ERZ-A

Code	Description	R	d	L	D	H	H1	h	h1	h2	h3	d1	l1	Teeth nr	△
90237103	ERZ.44-10-32	1.73	10-32	2.05	0.61	1.2	1.34	0.31	0.96	0.14	0.89	0.39	0.43	18	0.04
90237104	ERZ.44-1/4-20	1.73	1/4-20	2.05	0.61	1.2	1.34	0.31	0.96	0.14	0.89	0.39	0.43	18	0.04
90237134	ERZ.63-1/4-20	2.48	1/4-20	2.89	0.75	1.52	1.65	0.39	1.22	0.14	1.18	0.53	0.53	24	0.09
90237135	ERZ.63-5/16-18	2.48	5/16-18	2.89	0.75	1.52	1.65	0.39	1.22	0.14	1.18	0.53	0.53	24	0.08
90237155	ERZ.78-5/16-18	3.07	5/16-18	3.56	0.91	1.77	1.99	0.55	1.42	0.14	1.38	0.63	0.63	26	0.15
90237156	ERZ.78-3/8-16	3.07	3/8-16	3.56	0.91	1.77	1.99	0.55	1.42	0.14	1.38	0.63	0.63	26	0.13
90237176	ERZ.95-3/8-16	3.74	3/8-16	4.29	1.04	2.22	2.42	0.67	1.69	0.2	1.77	0.75	0.71	28	0.23
90237177	ERZ.95-1/2-13	3.74	1/2-13	4.29	1.04	2.22	2.42	0.67	1.69	0.2	1.77	0.75	0.71	28	0.21

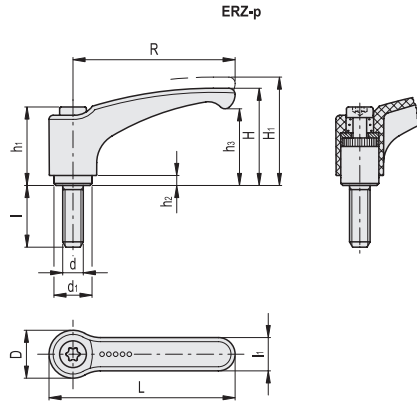
ERZ-SST

Code	Description	R	d	L	D	H	H1	h	h1	h2	h3	d1	l1	Teeth nr	△
90239105	ERZ.44-SST-10-32	1.73	10-32	2.05	0.61	1.2	1.34	0.31	0.96	0.14	0.89	0.39	0.43	18	0.04
90239106	ERZ.44-SST-1/4-20	1.73	1/4-20	2.05	0.61	1.2	1.34	0.31	0.96	0.14	0.89	0.39	0.43	18	0.03
90239135	ERZ.63-SST-1/4-20	2.48	1/4-20	2.89	0.75	1.52	1.65	0.39	1.22	0.14	1.18	0.53	0.53	24	0.08
90239136	ERZ.63-SST-5/16-18	2.48	5/16-18	2.89	0.75	1.52	1.65	0.39	1.22	0.14	1.18	0.53	0.53	24	0.07
90239155	ERZ.78-SST-5/16-18	3.07	5/16-18	3.56	0.91	1.77	1.99	0.55	1.42	0.14	1.38	0.63	0.63	26	0.13
90239156	ERZ.78-SST-3/8-16	3.07	3/8-16	3.56	0.91	1.77	1.99	0.55	1.42	0.14	1.38	0.63	0.63	26	0.12
90239175	ERZ.95-SST-3/8-16	3.74	3/8-16	4.29	1.04	2.22	2.42	0.67	1.69	0.2	1.77	0.75	0.71	28	0.2
90239177	ERZ.95-SST-1/2-13	3.74	1/2-13	4.29	1.04	2.22	2.42	0.67	1.69	0.2	1.77	0.75	0.71	28	0.19

INOX
STAINLESS
STEEL

INCH

Clamping levers



INCH

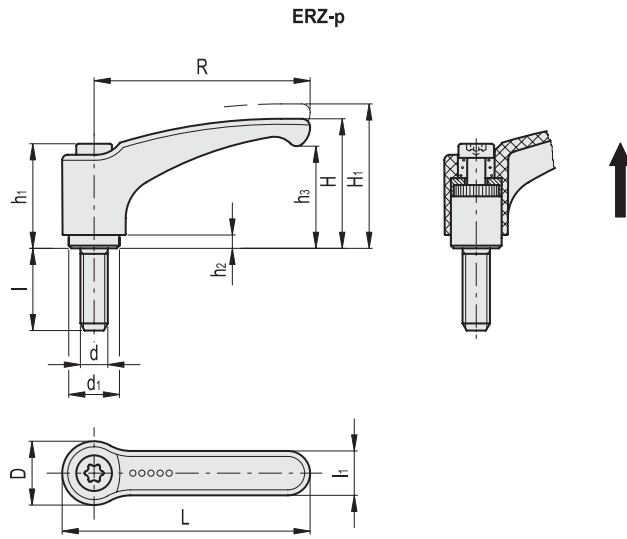
ERZ-p

Code	Description	R	d	L	D	H	H1	h1	h2	h3	d1	l	l1	Teeth nr	Δ
90238133	ERZ.44-10-32-047	1.73	10-32	2.05	0.61	1.2	1.34	0.96	0.14	0.89	0.39	0.47	0.43	18	0.04
90238135	ERZ.44-10-32-063	1.73	10-32	2.05	0.61	1.2	1.34	0.96	0.14	0.89	0.39	0.63	0.43	18	0.04
90238137	ERZ.44-10-32-079	1.73	10-32	2.05	0.61	1.2	1.34	0.96	0.14	0.89	0.39	0.79	0.43	18	0.04
90238139	ERZ.44-10-32-098	1.73	10-32	2.05	0.61	1.2	1.34	0.96	0.14	0.89	0.39	0.98	0.43	18	0.05
90238141	ERZ.44-10-32-126	1.73	10-32	2.05	0.61	1.2	1.34	0.96	0.14	0.89	0.39	1.26	0.43	18	0.05
90238143	ERZ.44-10-32-157	1.73	10-32	2.05	0.61	1.2	1.34	0.96	0.14	0.89	0.39	1.57	0.43	18	0.05
90238153	ERZ.44-1/4-20-047	1.73	1/4-20	2.05	0.61	1.2	1.34	0.96	0.14	0.89	0.39	0.47	0.43	18	0.05
90238155	ERZ.44-1/4-20-063	1.73	1/4-20	2.05	0.61	1.2	1.34	0.96	0.14	0.89	0.39	0.63	0.43	18	0.05
90238157	ERZ.44-1/4-20-079	1.73	1/4-20	2.05	0.61	1.2	1.34	0.96	0.14	0.89	0.39	0.79	0.43	18	0.05
90238159	ERZ.44-1/4-20-098	1.73	1/4-20	2.05	0.61	1.2	1.34	0.96	0.14	0.89	0.39	0.98	0.43	18	0.06
90238161	ERZ.44-1/4-20-126	1.73	1/4-20	2.05	0.61	1.2	1.34	0.96	0.14	0.89	0.39	1.26	0.43	18	0.06
90238163	ERZ.44-1/4-20-157	1.73	1/4-20	2.05	0.61	1.2	1.34	0.96	0.14	0.89	0.39	1.57	0.43	18	0.07
90238165	ERZ.44-1/4-20-177	1.73	1/4-20	2.05	0.61	1.2	1.34	0.96	0.14	0.89	0.39	1.77	0.43	18	0.07
90238337	ERZ.63-1/4-20-079	2.48	1/4-20	2.89	0.75	1.52	1.65	1.22	0.14	1.18	0.53	0.79	0.53	24	0.08
90238339	ERZ.63-1/4-20-098	2.48	1/4-20	2.89	0.75	1.52	1.65	1.22	0.14	1.18	0.53	0.98	0.53	24	0.08
90238351	ERZ.63-5/16-18-047	2.48	5/16-18	2.89	0.75	1.52	1.65	1.22	0.14	1.18	0.53	0.47	0.53	24	0.1
90238353	ERZ.63-5/16-18-063	2.48	5/16-18	2.89	0.75	1.52	1.65	1.22	0.14	1.18	0.53	0.63	0.53	24	0.1
90238355	ERZ.63-5/16-18-079	2.48	5/16-18	2.89	0.75	1.52	1.65	1.22	0.14	1.18	0.53	0.79	0.53	24	0.1
90238357	ERZ.63-5/16-18-098	2.48	5/16-18	2.89	0.75	1.52	1.65	1.22	0.14	1.18	0.53	0.98	0.53	24	0.11
90238359	ERZ.63-5/16-18-126	2.48	5/16-18	2.89	0.75	1.52	1.65	1.22	0.14	1.18	0.53	1.26	0.53	24	0.11
90238361	ERZ.63-5/16-18-157	2.48	5/16-18	2.89	0.75	1.52	1.65	1.22	0.14	1.18	0.53	1.57	0.53	24	0.11
90238362	ERZ.63-5/16-18-177	2.48	5/16-18	2.89	0.75	1.52	1.65	1.22	0.14	1.18	0.53	1.77	0.53	24	0.12
90238363	ERZ.63-5/16-18-197	2.48	5/16-18	2.89	0.75	1.52	1.65	1.22	0.14	1.18	0.53	1.97	0.53	24	0.13
90238365	ERZ.63-5/16-18-248	2.48	5/16-18	2.89	0.75	1.52	1.65	1.22	0.14	1.18	0.53	2.48	0.53	24	0.13
90238373	ERZ.63-3/8-16-079	2.48	3/8-16	2.89	0.75	1.52	1.65	1.22	0.14	1.18	0.53	0.79	0.53	24	0.1
90238375	ERZ.63-3/8-16-098	2.48	3/8-16	2.89	0.75	1.52	1.65	1.22	0.14	1.18	0.53	0.98	0.53	24	0.11
90238377	ERZ.63-3/8-16-126	2.48	3/8-16	2.89	0.75	1.52	1.65	1.22	0.14	1.18	0.53	1.26	0.53	24	0.11
90238379	ERZ.63-3/8-16-157	2.48	3/8-16	2.89	0.75	1.52	1.65	1.22	0.14	1.18	0.53	1.57	0.53	24	0.11
90238380	ERZ.63-3/8-16-177	2.48	3/8-16	2.89	0.75	1.52	1.65	1.22	0.14	1.18	0.53	1.77	0.53	24	0.12
90238381	ERZ.63-3/8-16-197	2.48	3/8-16	2.89	0.75	1.52	1.65	1.22	0.14	1.18	0.53	1.97	0.53	24	0.2
90238551	ERZ.78-3/8-16-063	3.07	3/8-16	3.56	0.91	1.77	1.99	1.42	0.14	1.38	0.63	0.63	0.63	26	0.2
90238553	ERZ.78-3/8-16-079	3.07	3/8-16	3.56	0.91	1.77	1.99	1.42	0.14	1.38	0.63	0.79	0.63	26	0.21
90238555	ERZ.78-3/8-16-098	3.07	3/8-16	3.56	0.91	1.77	1.99	1.42	0.14	1.38	0.63	0.98	0.63	26	0.22
90238557	ERZ.78-3/8-16-126	3.07	3/8-16	3.56	0.91	1.77	1.99	1.42	0.14	1.38	0.63	1.26	0.63	26	0.24
90238559	ERZ.78-3/8-16-157	3.07	3/8-16	3.56	0.91	1.77	1.99	1.42	0.14	1.38	0.63	1.57	0.63	26	0.26
90238560	ERZ.78-3/8-16-177	3.07	3/8-16	3.56	0.91	1.77	1.99	1.42	0.14	1.38	0.63	1.77	0.63	26	0.28
90238561	ERZ.78-3/8-16-197	3.07	3/8-16	3.56	0.91	1.77	1.99	1.42	0.14	1.38	0.63	1.97	0.63	26	0.29
90238563	ERZ.78-3/8-16-248	3.07	3/8-16	3.56	0.91	1.77	1.99	1.42	0.14	1.38	0.63	2.48	0.63	26	0.3
90238575	ERZ.78-1/2-13-126	3.07	1/2-13	3.56	0.91	1.77	1.99	1.42	0.14	1.38	0.63	1.26	0.63	26	0.25
90238727	ERZ.95-3/8-16-098	3.74	3/8-16	4.29	1.04	2.22	2.42	1.69	0.2	1.77	0.75	0.98	0.71	28	0.28
90238729	ERZ.95-3/8-16-126	3.74	3/8-16	4.29	1.04	2.22	2.42	1.69	0.2	1.77	0.75	1.26	0.71	28	0.29
90238730	ERZ.95-3/8-16-138	3.74	3/8-16	4.29	1.04	2.22	2.42	1.69	0.2	1.77	0.75	1.38	0.71	28	0.29
90238731	ERZ.95-3/8-16-157	3.74	3/8-16	4.29	1.04	2.22	2.42	1.69	0.2	1.77	0.75	1.57	0.71	28	0.3
90238732	ERZ.95-3/8-16-177	3.74	3/8-16	4.29	1.04	2.22	2.42	1.69	0.2	1.77	0.75	1.77	0.71	28	0.3
90238733	ERZ.95-3/8-16-197	3.74	3/8-16	4.29	1.04	2.22	2.42	1.69	0.2	1.77	0.75	1.97	0.71	28	0.31
90238735	ERZ.95-3/8-16-248	3.74	3/8-16	4.29	1.04	2.22	2.42	1.69	0.2	1.77	0.75	2.48	0.71	28	0.33
90238751	ERZ.95-1/2-13-098	3.74	1/2-13	4.29	1.04	2.22	2.42	1.69	0.2	1.77	0.75	0.98	0.71	28	0.3
90238753	ERZ.95-1/2-13-126	3.74	1/2-13	4.29	1.04	2.22	2.42	1.69	0.2	1.77	0.75	1.26	0.71	28	0.3
90238754	ERZ.95-1/2-13-138	3.74	1/2-13	4.29	1.04	2.22	2.42	1.69	0.2	1.77	0.75	1.38	0.71	28	0.31
90238755	ERZ.95-1/2-13-157	3.74	1/2-13	4.29	1.04	2.22	2.42	1.69	0.2	1.77	0.75	1.57	0.71	28	0.32
90238756	ERZ.95-1/2-13-177	3.74	1/2-13	4.29	1.04	2.22	2.42	1.69	0.2	1.77	0.75	1.77	0.71	28	0.33
90238757	ERZ.95-1/2-13-197	3.74	1/2-13	4.29	1.04	2.22	2.42	1.69	0.2	1.77	0.75	1.97	0.71	28	0.34
90238759	ERZ.95-1/2-13-248	3.74	1/2-13	4.29	1.04	2.22	2.42	1.69	0.2	1.77	0.75	2.48	0.71	28	0.37



Clamping levers

- 1
- 2
- 3
- 4
- 5
- 6
- 7
- 8
- 9
- 10
- 11
- 12
- 13
- 14
- 15
- 16
- 17
- 18



INOX STAINLESS STEEL **INCH**

ERZ-SST-p

Code	Description	R	d	L	D	H	H1	h1	h2	h3	d1	l	l1	Teeth nr	
90239255	ERZ.44-SST-1/4-20-063	1.73	1/4-20	2.05	0.61	1.2	1.34	0.96	0.14	0.89	0.39	0.63	0.43	18	0.05
90239257	ERZ.44-SST-1/4-20-079	1.73	1/4-20	2.05	0.61	1.2	1.34	0.96	0.14	0.89	0.39	0.79	0.43	18	0.05
90239259	ERZ.44-SST-1/4-20-098	1.73	1/4-20	2.05	0.61	1.2	1.34	0.96	0.14	0.89	0.39	0.98	0.43	18	0.05
90239423	ERZ.44-SST-1/4-20-126	1.73	1/4-20	2.05	0.61	1.2	1.34	0.96	0.14	0.89	0.39	1.26	0.43	18	0.06
90239425	ERZ.44-SST-1/4-20-157	1.73	1/4-20	2.05	0.61	1.2	1.34	0.96	0.14	0.89	0.39	1.57	0.43	18	0.06
90239426	ERZ.44-SST-1/4-20-177	1.73	1/4-20	2.05	0.61	1.2	1.34	0.96	0.14	0.89	0.39	1.77	0.43	18	0.06
90239455	ERZ.63-SST-5/16-18-079	2.48	5/16-18	2.89	0.75	1.52	1.65	1.22	0.14	1.18	0.53	0.79	0.53	24	0.1
90239459	ERZ.63-SST-5/16-18-126	2.48	5/16-18	2.89	0.75	1.52	1.65	1.22	0.14	1.18	0.53	1.26	0.53	24	0.11
90239643	ERZ.63-SST-5/16-18-157	2.48	5/16-18	2.89	0.75	1.52	1.65	1.22	0.14	1.18	0.53	1.57	0.53	24	0.11
90239647	ERZ.63-SST-5/16-18-248	2.48	5/16-18	2.89	0.75	1.52	1.65	1.22	0.14	1.18	0.53	2.48	0.53	24	0.13
90239649	ERZ.63-SST-3/8-16-079	2.48	3/8-16	2.89	0.75	1.52	1.65	1.22	0.14	1.18	0.53	0.79	0.53	24	0.1
90239651	ERZ.63-SST-3/8-16-157	2.48	3/8-16	2.89	0.75	1.52	1.65	1.22	0.14	1.18	0.53	1.57	0.53	24	0.12
90239655	ERZ.78-SST-3/8-16-098	3.07	3/8-16	3.56	0.91	1.77	1.99	1.42	0.14	1.38	0.63	0.98	0.63	26	0.21
90239657	ERZ.78-SST-3/8-16-126	3.07	3/8-16	3.56	0.91	1.77	1.99	1.42	0.14	1.38	0.63	1.26	0.63	26	0.24
90239659	ERZ.78-SST-3/8-16-157	3.07	3/8-16	3.56	0.91	1.77	1.99	1.42	0.14	1.38	0.63	1.57	0.63	26	0.29
90239661	ERZ.78-SST-3/8-16-197	3.07	3/8-16	3.56	0.91	1.77	1.99	1.42	0.14	1.38	0.63	1.97	0.63	26	0.31
90239663	ERZ.78-SST-3/8-16-248	3.07	3/8-16	3.56	0.91	1.77	1.99	1.42	0.14	1.38	0.63	2.48	0.63	26	0.33
90239691	ERZ.78-SST-1/2-13-126	3.07	1/2-13	3.56	0.91	1.77	1.99	1.42	0.14	1.38	0.63	1.26	0.63	26	0.25
90239853	ERZ.95-SST-1/2-13-126	3.74	1/2-13	4.29	1.04	2.22	2.42	1.69	0.2	1.77	0.75	1.26	0.71	28	0.3
90239857	ERZ.95-SST-1/2-13-197	3.74	1/2-13	4.29	1.04	2.22	2.42	1.69	0.2	1.77	0.75	1.97	0.71	28	0.34
90239859	ERZ.95-SST-1/2-13-248	3.74	1/2-13	4.29	1.04	2.22	2.42	1.69	0.2	1.77	0.75	2.48	0.71	28	0.36

Clamping levers