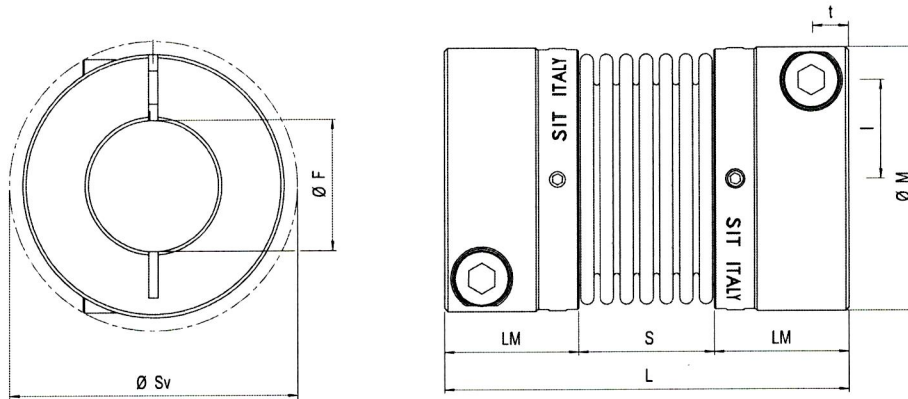


## Standard execution



Size	Dimensions[mm]								Screws			Socket set screws		Technical data											
	Pilot bore	F		M	Sv	Lm	S	L	Type	t	l	Ms [Nm]	Type	Ms [Nm]	TKN [Nm]	TKmax [Nm]	nmax [min <sup>-1</sup> ]	Moment of inertia [x10 <sup>-6</sup> Kg·m <sup>2</sup> ]	Torsional rigidity CT [Nm/rad]	Axial spring stiffness [N/mm]	Radial spring stiffness [N/mm]	Misalignments			W* [kg]
		min	max																			Δka	Δkr	Δkw	
16	4,5	5	16	34	36	17	16,5	50,5	M4	4,5	12	2,9	M3	0,8	5	10	14000	14	3050	29	92	±0.5	0,2	1,5	0,082
20	7,5	8	20	40	44	20,5	21	62	M5	5,5	15	6	M3	0,8	15	30	11900	34	6600	42	126	±0.6	0,2	1,5	0,135
30	9,5	10	30	55	58	22,5	27	72	M6	6,5	20	10	M4	2	35	70	8700	140	14800	65	155	±0.8	0,25	2	0,289
38	13,5	14	38	65	73	26	32	84	M8	8	25	25	M4	2	65	130	7300	310	24900	72	212	±0.8	0,25	2	0,438
45	13,5	14	45	83	89	31	41	103	M10	9,5	30	49	M5	3,8	150	300	5800	1056	64000	88	492	±1,0	0,3	2	0,924

\*= with max bore  
Bore tolerance F7

SERVOPLUS® coupling																									
Size	Bore range and dampening hub transmissible torque [Nm]																								
	5	6	7	8	9	10	11	12	14	15	16	18	19	20	24	25	28	30	32	35	38	40	42	45	
16	4,9	5,9	6,9	7,8	8,8	9,8	10,8	11,8	13,7	14,7	15,7														
20				12,8	14,4	16	17,6	19,2	22,3	23,9	25,5	28,7	30,3	31,9											
30							24,9	27,1	31,7	33,9	36,2	40,7	43	45,2	54,3	56,5	63,3	67,9							
38												74,6	78,8	82,9	99,5	104	116	124	133	145	158				
45														132	158	165	184	198	211	231	250	263	277	296	

Additional hub executions available upon request:

- taper bore for taper bushings
- conical bore for FANUC motors

### Order form

Hub and Bellows **GSP 30 MF 20**

GSP: SERVOPLUS® coupling

Size

M: hub with pilot bore  
S: bellows  
MF: hub with finished bore

Bore diameter in mm (only in case of hub with finished bore)

MS	Screw tightening torque	Nm
TKN	Coupling nominal torque	Nm
TKmax	Coupling maximum torque	Nm
nmax	Maximum rpm	min <sup>-1</sup>
CT	Torsional rigidity	Nm/rad
ΔKa	Maximum axial misalignment	mm
ΔKr	Maximum radial misalignment	mm
ΔKw	Maximum angular misalignment	°
W	Weight	kg

To configure a complete coupling select two hubs with the requested pilot bore/finish bore and one bellows.