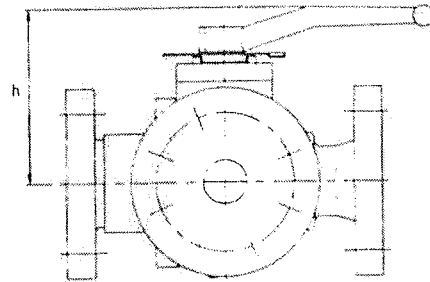
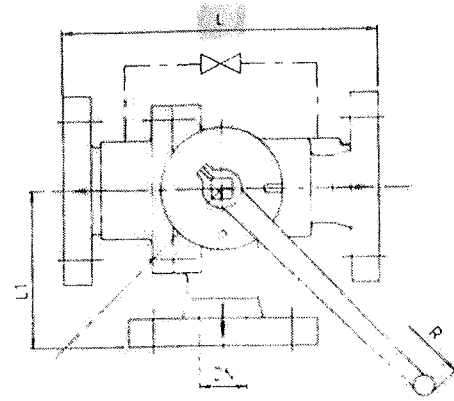


### Threeway transfer ball valve

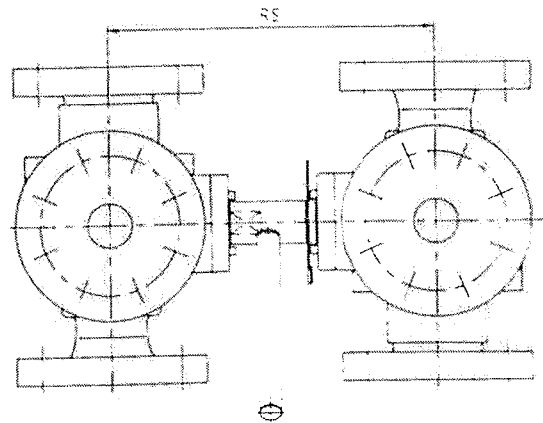
Type	DN	L	L1	h <sub>2</sub>	R	kg	Nm
A	25	180	90	100	205	10	5
	40	230	115	107	250	16	5
	50	250	125	112	250	22	10
	65	310	155	158	350	37	15
	80	310	155	158	350	37	15
	100	350	175	170	350	59	20



### Double threeway transfer ball valve rigidly coupled

Type	DN	RS	kg	Nm	R
A	25	200	24	10	205
	40	220	35	10	250
	50	235	48	20	250
	65	300	78	30	350
	80	300	78	30	350
	100	345	127	40	350

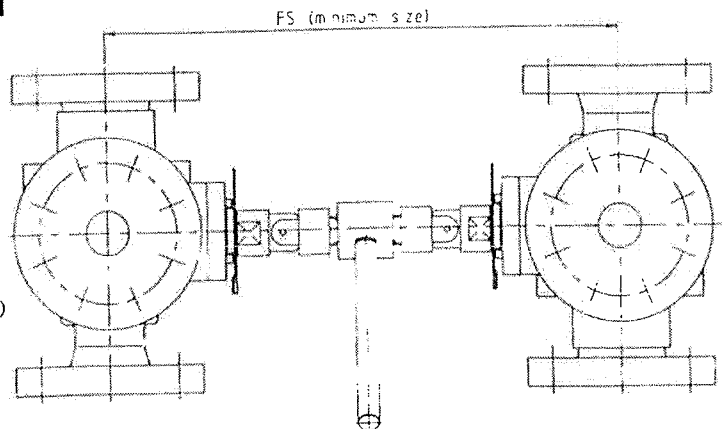
RS = Rigid Size (No other sizes available)



### Double threeway transfer ball valve flexibly coupled

Type	DN	FS	kg	Nm	R
A	25	290	24	10	205
	40	340	38	10	250
	50	350	50	20	250
	65	480	80	30	350
	80	480	80	30	350
	100	510	135	40	350

FS = Flexible Size (required sizes to be specified latest 2 weeks before delivery)



Nin = change-over torque at equalized pressure. All sizes in mm.