

Oil-sealed Rotary Vacuum Pump [PVD Series]

The PVD series belt-drive oil rotary vane pumps are compact, quiet running and robust.

The superior pumping performance of these industrial strength pumps has earned them an excellent reputation among many users.



PVD-180

Features

- ▶ **Consistent Pumping Performance**
The pumping performance of the pump is extremely stable.
- ▶ **Low Vibration and Low Noise**
The pump is suitable for use in noise and vibration sensitive environments.
- ▶ **Easy Maintenance**
Because the pump body is machined from a single aluminum block casting the unit has fewer parts to maintain.
- ▶ **Gas-Ballast Valve**
Gas ballast valve is standard with these pumps to effectively deal with water vapor from condensation.
- ▶ **Oil-backflow Prevention**
This model contains an oil-backflow prevention device as standard equipment.

Various Options

An optional base with casters allows ease of movement of the pump.

Applications

- ▶ Vacuum drying and freeze drying
- ▶ Vacuum packing, vacuum adsorption and transport
- ▶ Gas substitution, filling and vacuum heat insulation
- ▶ Vacuum casting, etc.

Oil-sealed Rotary Vacuum Pump [PVD Series]

Specifications

Model *1		PVD-180 (B)	PVD-360 (B)
Designed pumping speed	50Hz	m ³ /h	9
		L/min	155
		CFM	5.3
	60Hz	m ³ /h	11
		L/min	186
CFM		6.47	
Ultimate pressure *2		Pa	0.67
		Torr	5×10 ⁻³
		mbar	6.7×10 ⁻³
Motor *3	Type	Totally Enclosed Fan Cooled Motor	
	kw (number of poles)	0.4 (4)	0.75 (4)
	HP (number of poles)	0.54 (4)	1.0 (4)
	Rotations	50Hz	500rpm
		60Hz	600rpm
Oil *4		ULVOIL R-7	
Oil capacity		L	0.3
Cooling method		Air cooled	
Inlet (external × internal)		dia. 28 × dia. 19	dia. 34 × dia. 27
Outlet (JIS tube screw)		G3/4 (PF3/4)	G1 (PF1)
Weight		kg	33.5
External dimensions W × L × H		mm	235 × 450 × 321
Options		TMX-1 oil mist trap, adapter for oil mist trap, C-1 or 2 base with handle and casters, BG-1 fully sealed belt cover.	

*1 PVD-B series models (with oil back-flow prevention mechanism) are designated as PVD-180B for the PVD-180 model and PVD-360B for the PVD-360 models.

*2 Measured with a Pirani gauge.

*3 Please specify the need for a motor, the motor model, voltage, and power frequency when ordering.

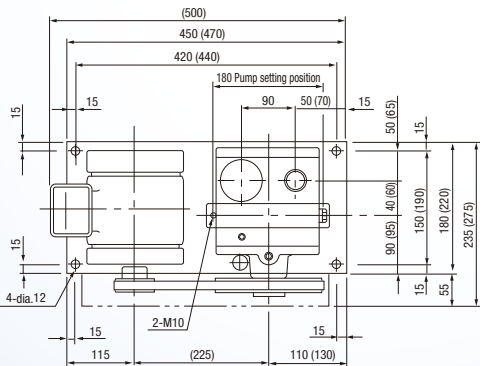
The fully sealed external fan motor, increased safety explosion-resistant motor, and pressure resistant explosion-resistant motor can also be ordered as options. (Except PVD-B series)

*4 Other oil types are available, upon request.

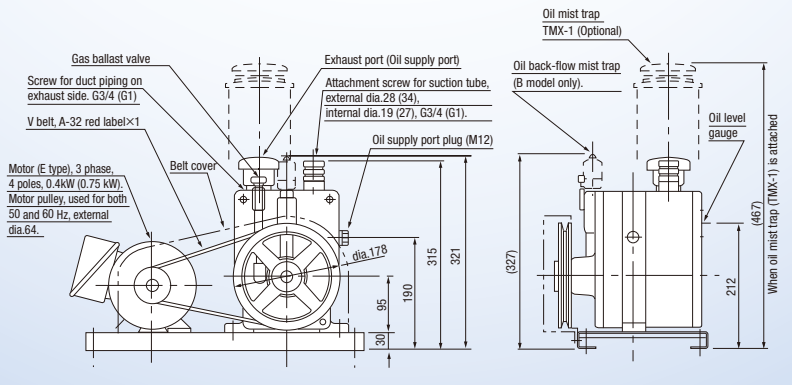
Dimensions

PVD180(B) / 360(B)

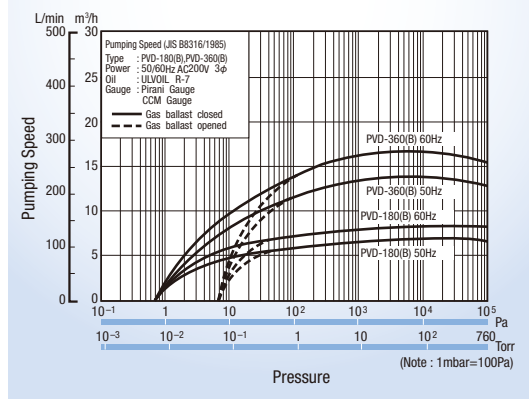
Unit: mm



Note) Dimensions in () are for the PVD-360 (B) model. Dimensions not in () are common to all models.



Pumping Speed Curves



ULVAC, Inc. Components Division

www.ulvac.co.jp/eng

Overseas Sales in Japan TEL +81-467-89-2261

USA : ULVAC Technologies, Inc. TEL +1-978-686-7550
 GERMANY : ULVAC GmbH TEL +49-89-960909-0
 CHINA : ULVAC (SHANGHAI) Trading Co., Ltd. TEL +86-21-6127-6618
 TAIWAN : ULVAC TAIWAN, Inc. TEL +886-3-579-5688
 KOREA : ULVAC KOREA, Ltd. TEL +82-31-683-2922
 SINGAPORE : ULVAC SINGAPORE PTE LTD TEL +65-6542-2700

PHILIPPINES : ULVAC Singapore Philippines Branch TEL +63-2-828-7700
 VIETNAM : ULVAC Singapore Vietnam Representative Office TEL +84-8-62556762
 THAILAND : ULVAC (THAILAND) LTD TEL +66-2-312-4447
 MALAYSIA : ULVAC MALAYSIA SDN. BHD. TEL +60-3-5121-4700
 INDIA : ULVAC, Inc., India Branch TEL +91-40-27007006

▶ This catalog is subject to change without notice.

▶ This catalog is published in order to sell this product in overseas. Please see Japanese catalog when purchasing in Japan.