

Type code TRB-DA-100-0680-0-2-2-1-1-1-BAS
Material number 0822345037

Description

Series	TRB	Tie rod cylinder - series TRB
Piston diameter	100	Piston diameter 100
Stroke	0680	Stroke in mm
Threads	0	ISO Threads
Cushioning	2	Pneumatic cushioning
Piston	2	Piston with magnet ring
Piston rod	1	Single
Sealings	1	Sealings - standard PUR (-20°C to 80°C)
Scraper	1	Scraper - Standard PUR
Corrosion protection	1	Standard
Piston rod extension	0	Without piston rod extension
ATEX	000	Without ATEX
Trunnion mounting	0	Without trunnion mounting
Position trunnion mounting	0	
End covers	0	End covers without surface treatment
Port position		
Port position front	0	0° (12h)
Port position rear	0	0° (12h)



Accessories

Piston rod mountings	000	No mounting
Mounting at front cover	000	No mounting at front cover
Mounting orientation front	00	Without mounting
Mounting at rear cover	000	No mounting at rear cover
Mounting orientation rear	00	Without mounting
Counter bearing	000	No counter bearing
Guide units	000	No guiding unit, no locking element
Sensor type	000	Without Sensor
Sensor position	00	Without sensor position
Fittings front	000	Front cover - without fitting
Fittings rear	000	Rear cover - without fitting

Note:

A specific part number is required for ordering and clearly identifying the configured product. If the part number is not shown under the type code, please save your configuration under "Save project".

Spare parts

Piston rod		PISTON ROD (ASM) 100-0680-0-2-1-1-1
Tube		TUBE TRB-100-0680-0-1-1
Tie rod		TIEROD TRB-100-0680-0-1-1
Spare part kit - standard	1827009907	SPARE PART KIT TRB-PRX-100-ST

Type code TRB-DA-100-0680-0-2-2-1-1-1-BAS
Material number 0822345037



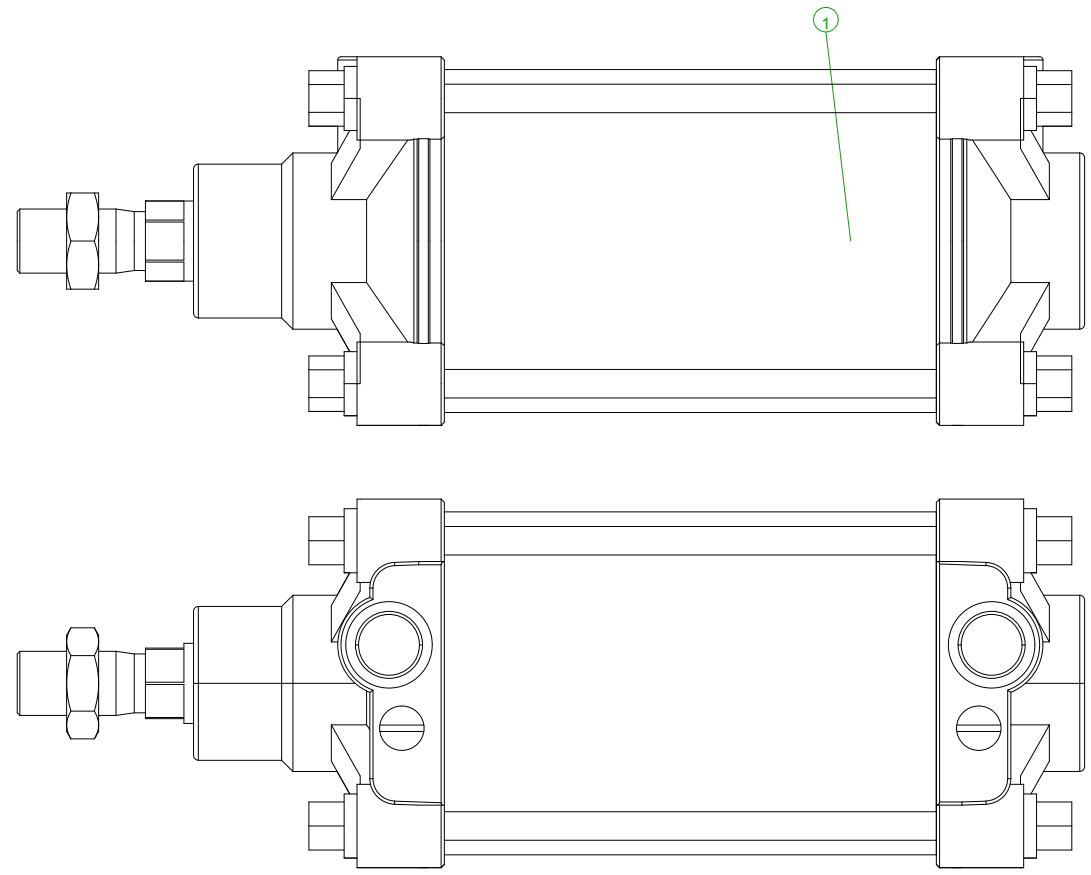
Please click on the image to activate the 3D model.

We are not liable for this 3D model since it has been generated automatically.

© Alle Rechte bei AVENTICS S.p.A., auch für den Fall von Schutzrechtsanmeldungen. Jede Weitergabe, wie Kopier- und Weitergaberecht, bei uns.

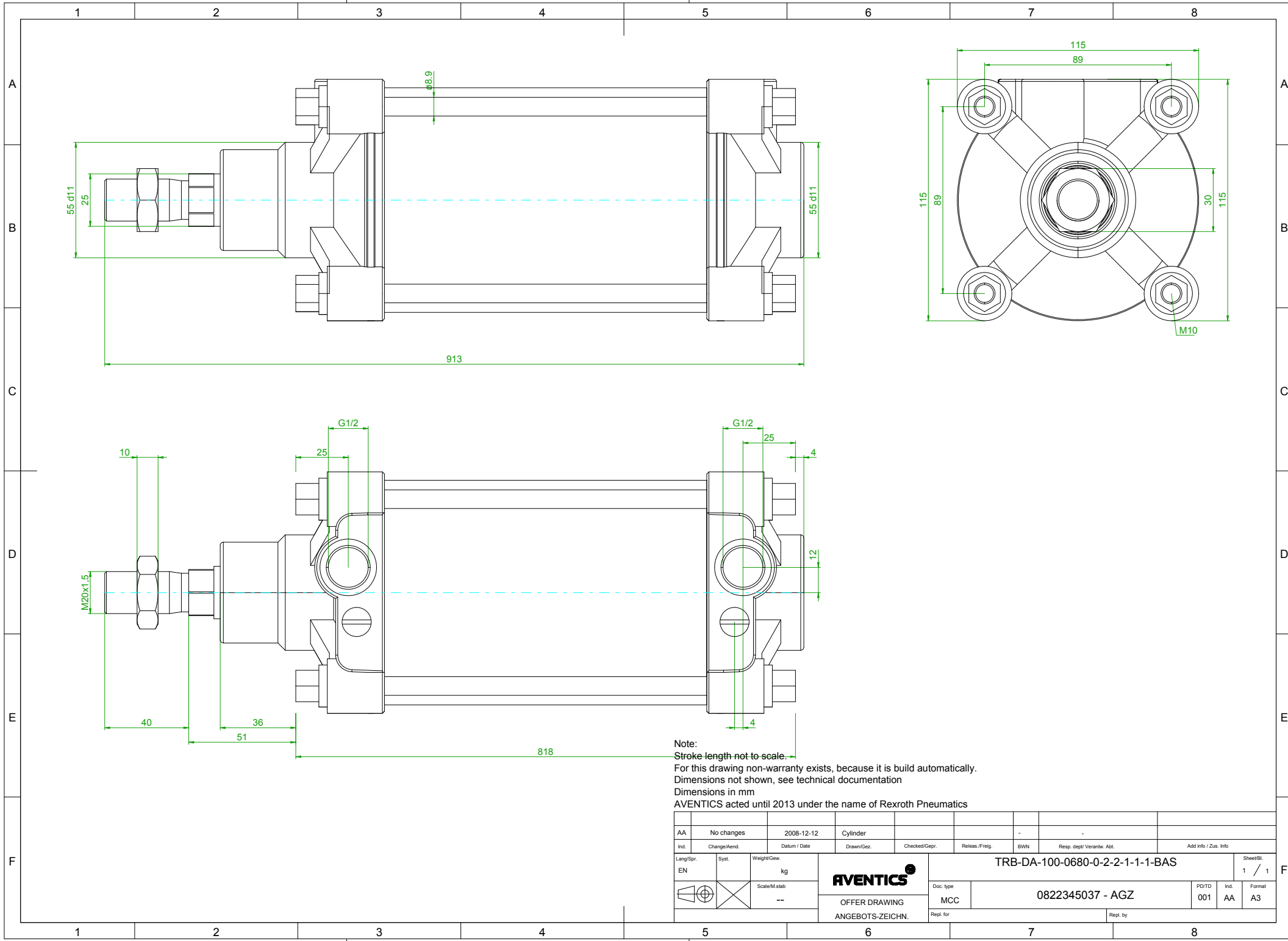
© This Document, as well as the data, specifications and other informations set forth in it, are the exclusive property of AVENTICS S.p.A.. Without their consent it may not be reproduced or given to third parties.

Pos.	Quantity	Material number	Designation	Type code
1	1	0822345037	Base cylinder	TRB-DA-100-0680-0-2-2-1-1-1-BAS



Note:
Stroke length not to scale.
For this drawing non-warranty exists, because it is build automatically.
AVENTICS acted until 2013 under the name of Rexroth Pneumatics

AA	No changes	2008-12-12	Cylinder			-	-				
Ind.	Change/Amend.	Datum / Date	Drawn/Gez.	Checked/Gepr.	Released/Freig.	BWN	Resp. dept /Verantw. Abt.	Add info / Zus. Info			
LangSpr.	Syst.	Weight/Gew.			TRB-DA-100-0680-0-2-2-1-1-1-BAS			Sheet/Bl.			
EN		kg						1 / 1			
		Scale/M.stab			Doc. type		0822345037 - ZUZ		P0/TD	Ind.	Format
		---	OFFER DRAWING		MTA				001	AA	A3
			ANGEBOTS-ZEICHN.		Repl. for		Repl. by				



Note:
Stroke length not to scale.
For this drawing non-warranty exists, because it is build automatically.
Dimensions not shown, see technical documentation
Dimensions in mm
AVENTICS acted until 2013 under the name of Rexroth Pneumatics

AA	No changes	2008-12-12	Cylinder						
Ind.	Change/Änd.	Datum / Date	Drawn/Gez.	Checked/Gepr.	Released/Freig.	BWN	Resp. dept/Verantw. Abt.	Add info / Zus. Info	
Lang/Spr.	Syst.	Weight/Gew.			TRB-DA-100-0680-0-2-2-1-1-1-BAS			Sheet/Bl.	
EN		kg						1 / 1	
Scale/M.stab			OFFER DRAWING		Doc. type	0822345037 - AGZ		PO/DT	Ind.
---			ANGEBOTS-ZEICHN.		MCC			001	AA
					Repl. for				Repl. by