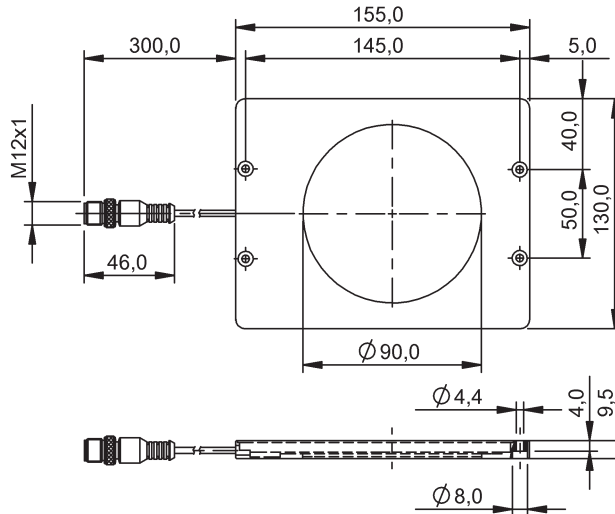




LED-Light - DO NOT STARE INTO BEAM! LED group per IEC 62471 Note: Use with IR-radiation and in boost mode, suitable shields or eye protection.



- Vision lighting system
- Dark field lighting
- for vision sensor
- Series LX-VS
- Red light

■ Aluminum



General attributes

Adjuster
 Application
 Approvals / Conformity
 Basic standard
 Enclosure Type per IEC 60529
 Polarity reversal protected
 Series

No
 for vision sensor
 CE
 IEC 60947-5-2
 IP40
 Yes
 Series LX-VS

Electrical attributes

Connection type
 Current draw max.
 Eff. operating voltage U_e DC
 Input signal
 Light field size
 Mode

Cable with connector
 400 mA
 24.0 V
 Trigger
 Ø90 mm
 Normal

Mechanical attributes

Active surface

Ø90 mm

Ambient temperature T_a max.
 Ambient temperature T_a min.
 Cable length
 Connector type
 Housing material
 Length 1
 Length 2
 Length 3
 Mounting type
 Sensing face material
 Style
 Surface protection
 Version

55 °C
 -10 °C
 0.30 m
 M12x1-S04
 Aluminum
 130.0 mm
 9.5 mm
 155.0 mm
 Screw M4
 PMMA
 Block, 90° connection
 Black anodized
 Dark field lighting

Additional text

Order accessories separately.
 For additional information, refer to user's guide.
 The device must be mounted in a way, that staring into the emitted light is impossible during operation.

