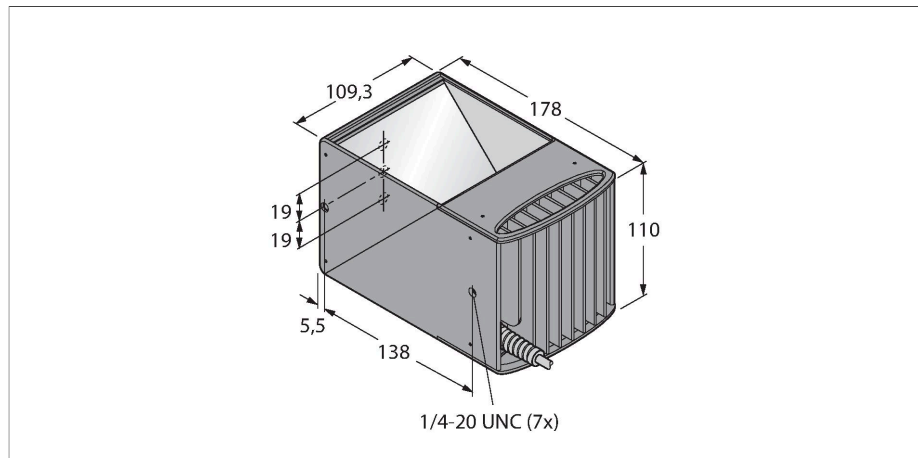


# LEDRO100W

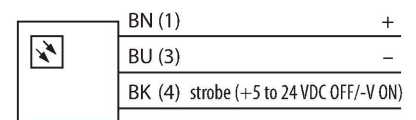
## Vision System – Axial Lighting



### Features

- Axial lighting
- Protection class: IP40
- Color: red
- Power supply: 24 VDC
- Cable, 2m

### Wiring diagram



### Technical data

Type	LEDRO100W
ID	3075309
<b>Signal and display data</b>	
Purpose	Image processing
Function	Area light
Light type	Red
Wavelength	620...630 nm
LED service life (L70)	20000 h
Features of color 1	Red
<b>Electrical data</b>	
Operating voltage	24 VDC
DC rated operational current	≤ 500 mA
Max. current consumption per color	500 mA
<b>Mechanical data</b>	
Design	Rectangular
Dimensions	109.3 x 109.3 x 178 mm
Housing material	Metal, Anodized AL
Window material	Acrylic, clear
Electrical connection	Cable, 2 m, PVC
Number of cores	3
Ambient temperature	0...+50 °C
Protection class	IP40
<b>Tests/approvals</b>	
Approvals	CE, cULus listed

### Functional principle

Illumination coaxially integrated in the camera's beam path.