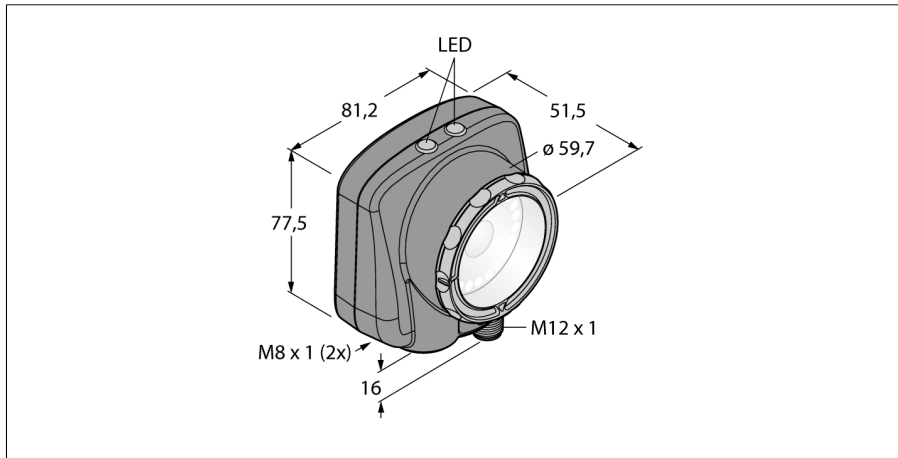


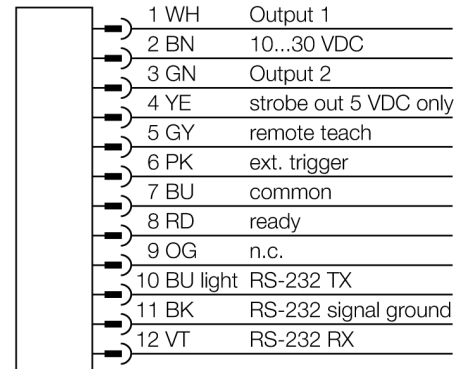
Vision systems
area, blemish, match, sort
IVUPTGR08



- Internal memory for 30 inspections
- 1/3" CMOS, 752x480 pixels
- Integrated ring light: red
- Protection class IP67
- External strobe output + 5 VDC
- External trigger input
- Lens, 8mm, M12x1
- Display: Integrated 65.5 mm LCD color display, 320 x 240 transreflective
- Operating voltage: 10...30 VDC
- Male M12 x 1, 12-pin
- 3 x programmable switching output (PNP/NPN)
- 1x RS232 data communication
- Ethernet via M8 x 1 male, 4-pin
- Industrial Ethernet: Ethernet/IP, Modbus/TCP, PCC
- USB-2.0 host: M8 female, 4-pin

Type code	IVUPTGR08
Ident no.	3016439
Design	rectangular, iVu PLUS
Dimensions	51.5 x 81.2 x 95.3 mm
Housing material	plastic, PBT
Window material	Acrylic, clear
Connection	male, M12 x 1, 12-wire
Protection class	IP67
Ambient temperature	0...+50 °C
Power on display	LED, green
Switching state	LED green
Error indication	LED red
Operating voltage	10...30VDC
DC rated operational current	≤ 850 mA
Short-circuit protection	yes/ cyclic
Reverse polarity protection	yes
Switch element function	programmable, PNP/NPN
Output current	≥ 150 mA
Operating mode	gray value
Auflösung	752 x 480 Pixel
Bildfrequenz	100 fps
Light type	red
Brennweite	8 mm

Wiring diagram

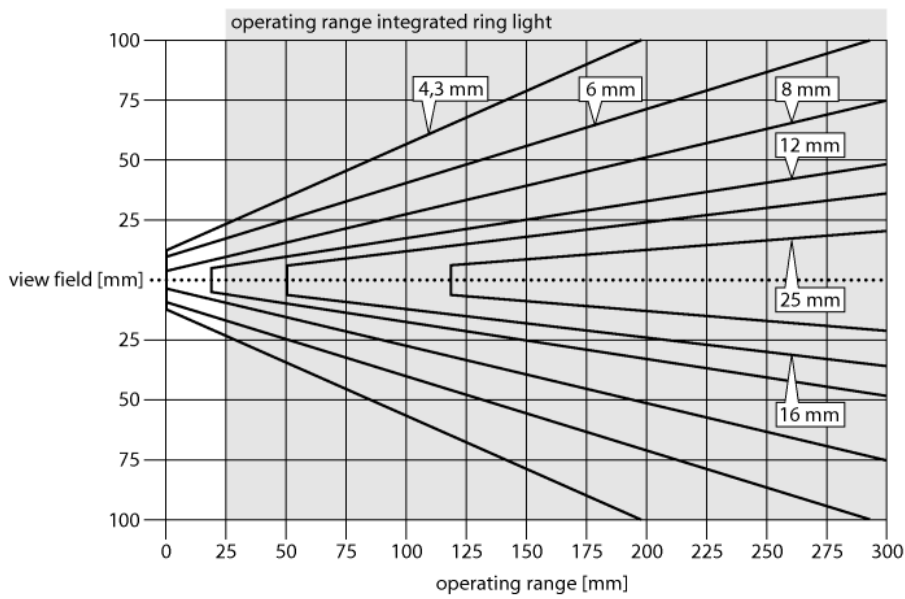


Functional principle

Sensor with 3 integrated operation modes:

1. Pattern recognition, checks if a pattern on a target is identical to the reference pattern.
2. BLOB recognition, for recognition of one or more features.
3. BLOB and location tool for motion control.

Sensor configuration via PC is not required!
Transmission of log files and firmware updates via USB interface. Up to 30 inspections can be stored.



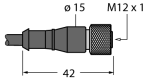
Selecting the focal length

With known object size or scan field the matching vision sensor is found simply by determining the ratio between the sensing range and the focal length. Use the graphics for selection. Here, the sensing ranges are put in relation to the field view and the lens focal length.

Accessories

Type code	Ident no.	Description	Dimension drawing
SMBIVURAR	3082547	Brackets for mounting on right side	 A technical drawing of a metal bracket for right-side mounting. It features a circular base with a central hole of diameter 25 mm and an outer diameter of 44 mm. A vertical arm extends from the base, with a hole of diameter 4.4 mm at the top. The distance from the base to the top hole is 16.8 mm. The total height of the bracket is 78.1 mm. The width of the base is 49 mm. There are also two smaller holes of diameter 7 mm on the base.
SMBIVURAL	3082546	Brackets for mounting on left side	 A technical drawing of a metal bracket for left-side mounting, similar to SMBIVURAR but mirrored. It has a circular base with a central hole of diameter 25 mm and an outer diameter of 44 mm. A vertical arm extends from the base, with a hole of diameter 4.4 mm at the top. The distance from the base to the top hole is 16.8 mm. The total height of the bracket is 78.1 mm. The width of the base is 49 mm. There are also two smaller holes of diameter 7 mm on the base.
SMBIVUU	3082549	U-bracket for base mounting (incl. SMBIVUB baseplate)	 A technical drawing of a U-shaped metal bracket. The base is 61.2 mm wide and 42 mm deep. The height of the U-shaped part is 54 mm. There are eight holes of diameter 5.35 mm along the top edge. The distance between the two vertical legs is 30 mm. The thickness of the metal is 6.25 mm.
SMBIVUB	3082548	Baseplate to extend the installation	 A technical drawing of a rectangular metal baseplate. It has a total width of 56.8 mm and a total height of 23.8 mm. There are two holes of diameter 5.8 mm on the left side. The distance between the two holes is 29 mm. The distance from the left edge to the first hole is 5.8 mm. There is a 1/4-20 UNC thread on the right side, with a distance of 33.1 mm from the right edge to the center of the thread. There are also two M5 x 0.8 (2x) holes on the left side.

Wiring accessories

Type code	Ident no.	Description	Dimension drawing
IVUC-1206	3014407	Power supply, M12x1 female, 12-pole, 1.83m	 A technical drawing of a power supply connector. It has a total length of 42 mm. The diameter of the main body is 15 mm. It is designed for an M12 x 1 connection.
IVUC-1206RA	3014412	Power supply, M12x1 rectangular female, 12-pole, 1.83m	

Wiring accessories

Type code	Ident no.	Description	Dimension drawing
IVUC-E-406	3013892	Ethernet connection cable, M8x1 on RJ45, 4-pole, 2m	
PSG-4M-401-USB	3011336	USB adapter cable, male M12x1, 4-pole, 0.3m	