

Immersion thermostats with housing GTT



Benefits

- Mechanical temperature controller
- For controlling heating and cooling processes
- Ideal for heat and process engineering
- Control directly at the process

Application

Mechanical temperature controller and limiter. The device is suitable for application areas in the field of heat and process engineering. Heating and cooling processes in industrial or domestic applications can be controlled directly at the process.

Description

The temperature measured at the probe causes a change in the volume of the measuring liquid. Electrical switching is triggered by the force acting. The thermowell allows for direct installation pressure-tight tanks.

Technical specifications

Type

GTT/TC2

Operating range

See ordering table

Tolerance

± 1 K at ambient temperature 20 °C

Switching differential

$\Delta T 4 \pm 1$ K

Setting

GTT/7HG: Internal

GTT/7RG: External

Probe

\varnothing 8 mm

Length: 100, 200, 150 mm

Probe element

Liquid-filled

Operating temperature range

Housing: Max. 85 °C

Operating pressure at thermowell

Max. 4 bar

Housing

Plastic (PVC), grey (RAL 7035)

Cable entry

Plastic (PVC), black

M20 x 1.5

Degree of protection

IP 40 (EN 60529)

Time constant

DIN-tested

DIN EN

14597:2012-09

Registration number: TR/STB 1211

Electrical switching contact

Changeover contact

Contact rating

NC: AC 250 V, 10 (2.5) A

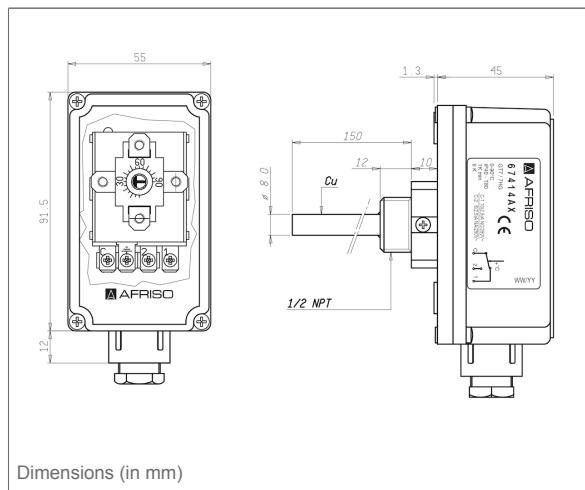
NO: AC 250 V, 6 (2.5) A

Options

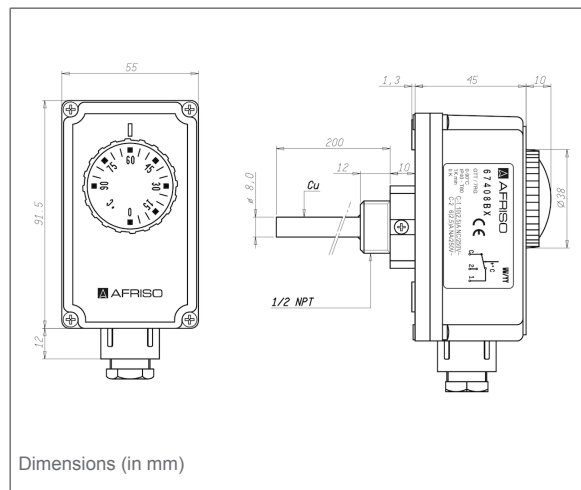
- Customised versions

Technical drawings

GTT/7HG, internal adjustment



GTT/7RG, external adjustment



Versions

	Adjustment	Operating range	Stem length	Part no.
Immersion thermostat with housing GTT/7HG	Internal	0/90 °C	100 mm	67413X
Immersion thermostat with housing GTT/7HG	Internal	0/90 °C	200 mm	67414BX
Immersion thermostat with housing GTT/7RG	External	0/90 °C	100 mm	67407X
Immersion thermostat with housing GTT/7RG	External	70/210 °C	100 mm	67708
Immersion thermostat with housing GTT/7RG	External	0/90 °C	150 mm	67408AX
Immersion thermostat with housing GTT/7RG	External	0/90 °C	200 mm	67408BX

Blue part no. = in-stock items