

Short-stroke cylinder, Series KHZ

- Ø 12-100 mm
- Ports M5 G 1/8 G 1/4
- double-acting
- with magnetic piston
- Cushioning elastic
- Piston rod Internal thread



Compressed air connection	Internal thread
Ambient temperature min./max.	-25 ... 80 °C
Medium temperature min./max.	-25 ... 80 °C
Medium	Compressed air
Max. particle size	50 µm
Oil content of compressed air	0 ... 5 mg/m ³
Pressure for determining piston forces	6.3 bar

Technical data

Piston Ø Piston rod thread Ports	12 mm M3 M5	16 mm M5 M5	20 mm M5 M5	25 mm M5 G 1/8	32 mm M6 G 1/8	40 mm M6 G 1/8
Stroke 5	0822010600	0822010610	0822010620	0822010630	0822010640	0822010650
10	0822010601	0822010611	0822010621	0822010631	0822010641	0822010651
15	0822010602	0822010612	0822010622	0822010632	0822010642	0822010652
20	0822010603	0822010613	0822010623	0822010633	0822010643	0822010653
25	0822010604	0822010614	0822010624	0822010634	0822010644	0822010654
30	0822010605	0822010615	0822010625	0822010635	0822010645	0822010655
40	0822010606	0822010616	0822010626	0822010636	0822010646	0822010656
50	-	-	0822010627	0822010637	0822010647	0822010657
80	-	-	-	-	0822010648	0822010658
100	-	-	-	-	0822010649	0822010659

Piston Ø Piston rod thread Ports	50 mm M8 G 1/8	63 mm M8 G 1/8	80 mm M10 G 1/4	100 mm M12 G 1/4
Stroke 5	-	-	-	-
10	0822010661	0822010671	0822010681	0822010691
15	0822010662	0822010672	R402005794	-

Piston Ø Piston rod thread Ports	50 mm M8 G 1/8	63 mm M8 G 1/8	80 mm M10 G 1/4	100 mm M12 G 1/4
20	0822010663	0822010673	-	-
25	0822010664	0822010674	0822010684	0822010694
30	0822010665	0822010675	-	-
40	0822010666	0822010676	R402005797	R402005844
50	0822010667	0822010677	0822010687	0822010697
80	0822010668	0822010678	0822010688	0822010698
100	0822010669	0822010679	0822010689	0822010699

Other versions can be ordered from AVENTICS sales offices.

Technical data

Piston Ø	12 mm	16 mm	20 mm	25 mm
Retracting piston force	53 N	95 N	148 N	260 N
Extracting piston force	71 N	127 N	198 N	309 N
Impact energy	0,03 J	0,06 J	0,08 J	0,1 J
Weight 0 mm stroke	0,05 kg	0,065 kg	0,092 kg	0,178 kg
Weight +10 mm stroke	0,013 kg	0,016 kg	0,021 kg	0,03 kg
Working pressure min./max.	1 ... 10 bar	1 ... 10 bar	1 ... 10 bar	1 ... 10 bar
Material, front cover	Brass	Brass	Brass	Brass

Piston Ø	32 mm	40 mm	50 mm	63 mm
Retracting piston force	435 N	720 N	1110 N	1837 N
Extracting piston force	507 N	792 N	1237 N	1964 N
Impact energy	0,16 J	0,24 J	0,32 J	0,38 J
Weight 0 mm stroke	0,195 kg	0,285 kg	0,388 kg	0,636 kg
Weight +10 mm stroke	0,042 kg	0,052 kg	0,074 kg	0,096 kg
Working pressure min./max.	0,6 ... 10 bar	0,6 ... 10 bar	0,6 ... 10 bar	0,6 ... 10 bar
Material, front cover	Aluminum	Aluminum	Aluminum	Aluminum

Piston Ø	80 mm	100 mm
Retracting piston force	2857 N	4639 N
Extracting piston force	3167 N	4948 N
Impact energy	0,38 J	0,5 J
Weight 0 mm stroke	1,22 kg	2,38 kg
Weight +10 mm stroke	0,149 kg	0,218 kg
Working pressure min./max.	0,6 ... 10 bar	0,6 ... 10 bar
Material, front cover	Aluminum	Aluminum

Technical information

The pressure dew point must be at least 15 °C under ambient and medium temperature and may not exceed 3 °C .

The oil content of compressed air must remain constant during the life cycle.

Use only the approved oils from AVENTICS. Further information can be found in the "Technical information" document (available in the MediaCentre).

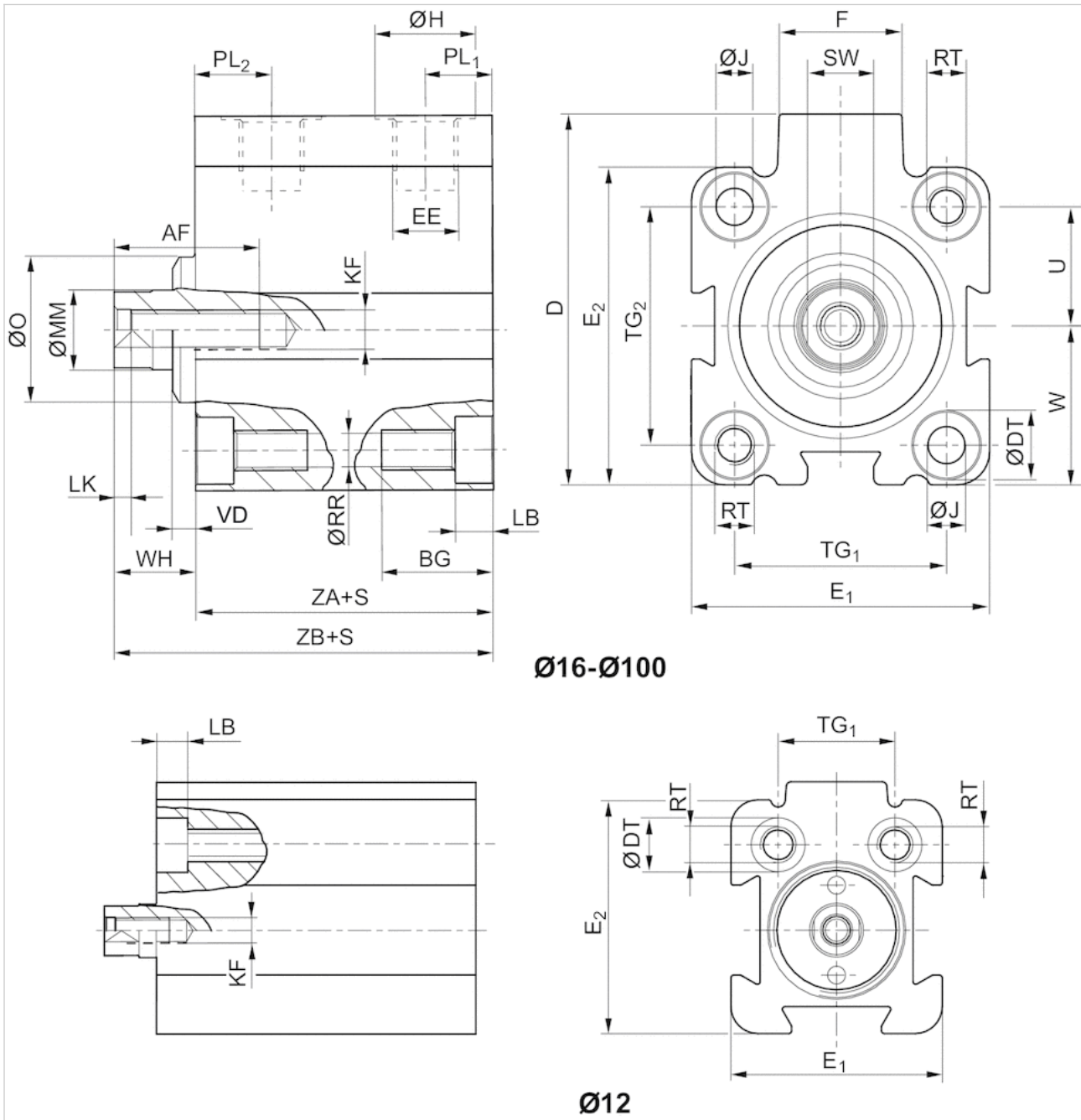


Technical information

Material	
Cylinder tube	Aluminum, anodized
Piston rod	Stainless steel
Piston	Nitrile rubber
Front cover	Brass Aluminum
End cover	Aluminum
Scraper	Polyurethane

Dimensions

Dimensions



S = stroke

Dimensions

Piston Ø	S	AF+1	BG 1)	DJS15	ØDTH13	E1JS15	E2JS15	EE	F	ØH	ØJ	KF	LB+0,4
12 mm	5 - 10	8	12.4	28	6	23.5	26	M 5	11	8	3.3	M3	3.4
12 mm	-	-	-	-	-	-	-	-	-	-	-	-	-
12 mm	15 - 40	8	17.5	28	6	23.5	26	M 5	11	8	3.3	M3	8.5
12 mm	-	-	-	-	-	-	-	-	-	-	-	-	-
16 mm	5 - 10	10	12.4	33	6	28	28	M 5	11.5	8	3.55	M5	3.4
16 mm	-	-	-	-	-	-	-	-	-	-	-	-	-
16 mm	15 - 40	10	17.5	33	6	28	28	M 5	11.5	8	3.55	M5	8.5
16 mm	-	-	-	-	-	-	-	-	-	-	-	-	-
20 mm	5 - 10	10	13.6	37	7.5	32	32	M 5	11	8	4.55	M5	4.6
20 mm	15 - 50	10	13.6	37	7.5	32	32	M 5	11	8	4.55	M5	4.6
25 mm	5 - 50	10	13.6	47.5	8	37	39	G 1/8	17.5	15	4.55	M5	4.6
32 mm	5 - 100	15	16.7	56	10	45	48	G 1/8	18.5	15	5.5	M6	5.7
40 mm	5 - 100	15	16.7	62.5	10	54.5	54	G 1/8	18.5	15	5.5	M6	5.7
50 mm	10 - 100	18	19.8	73	11	66	66	G 1/8	18	15	7.3	M8	6.8
63 mm	10 - 100	18	25	88	15	80	80	G 1/8	23	15	9.2	M8	9
80 mm	10 - 100	18	25	110	15	100	100	G 1/4	27	19	9.2	M10	9
100 mm	10 - 100	20	30	132	17.5	124	124	G 1/4	28	19	11	M12	11

Piston Ø	LK+0,5	ØMMf8	ØO	PL1	PL2	ØRR	RT	SW-0,3	TG1	TG2	U	W	VD-1
12 mm	2	6	-	6	10.5	3.3	M4	5	13 ±0,2	-	9.5	11,5 ±0,2	-
12 mm	-	-	-	-	-	-	-	-	-	-	-	-	-
12 mm	2	6	-	6	10.5	3.3	M4	5	13 ±0,2	-	9.5	11,5 ±0,2	-
12 mm	-	-	-	-	-	-	-	-	-	-	-	-	-
16 mm	2	8	-	6.5	11.3	3.3	M4	7	20 ±0,2	20 ±0,2	10	14 ±0,2	-
16 mm	-	-	-	-	-	-	-	-	-	-	-	-	-
16 mm	2	8	-	6.5	11.3	3.3	M4	7	20 ±0,2	20 ±0,2	10	14 ±0,2	-
16 mm	-	-	-	-	-	-	-	-	-	-	-	-	-
20 mm	2	10	-	6.5	10	4.2	M5	8	22 ±0,2	22 ±0,2	11	16 ±0,2	-
20 mm	2	10	-	6.5	10	4.2	M5	8	22 ±0,2	22 ±0,2	11	16 ±0,2	-
25 mm	2	10	20	9.5	11.5	4.2	M5	8	26 ±0,25	28 ±0,25	14	19,5 ±0,2	3.5
32 mm	2.5	12	22	8.5	15	5.05	M6	10	32 ±0,25	36 ±0,25	18	24 ±0,2	3.5
40 mm	2.5	12	30	10	13.5	5.05	M6	10	40 ±0,25	40 ±0,25	20	27,3 ±0,2	4.5
50 mm	3.5	16	35	10	14	6.8	M8	13	50 ±0,25	50 ±0,25	25	33 ±0,2	6
63 mm	3.5	16	35	11.5	14	8.5	M10	13	62 ±0,25	62 ±0,25	31	40 ±0,2	6.5
80 mm	4	20	46	12	15.5	8.5	M10	17	82 ±0,3	82 ±0,3	41	50 ±0,3	8.5
100 mm	4	25	56	12	18.5	10.2	M12	22	103 ±0,3	103 ±0,3	51.5	62 ±0,3	7

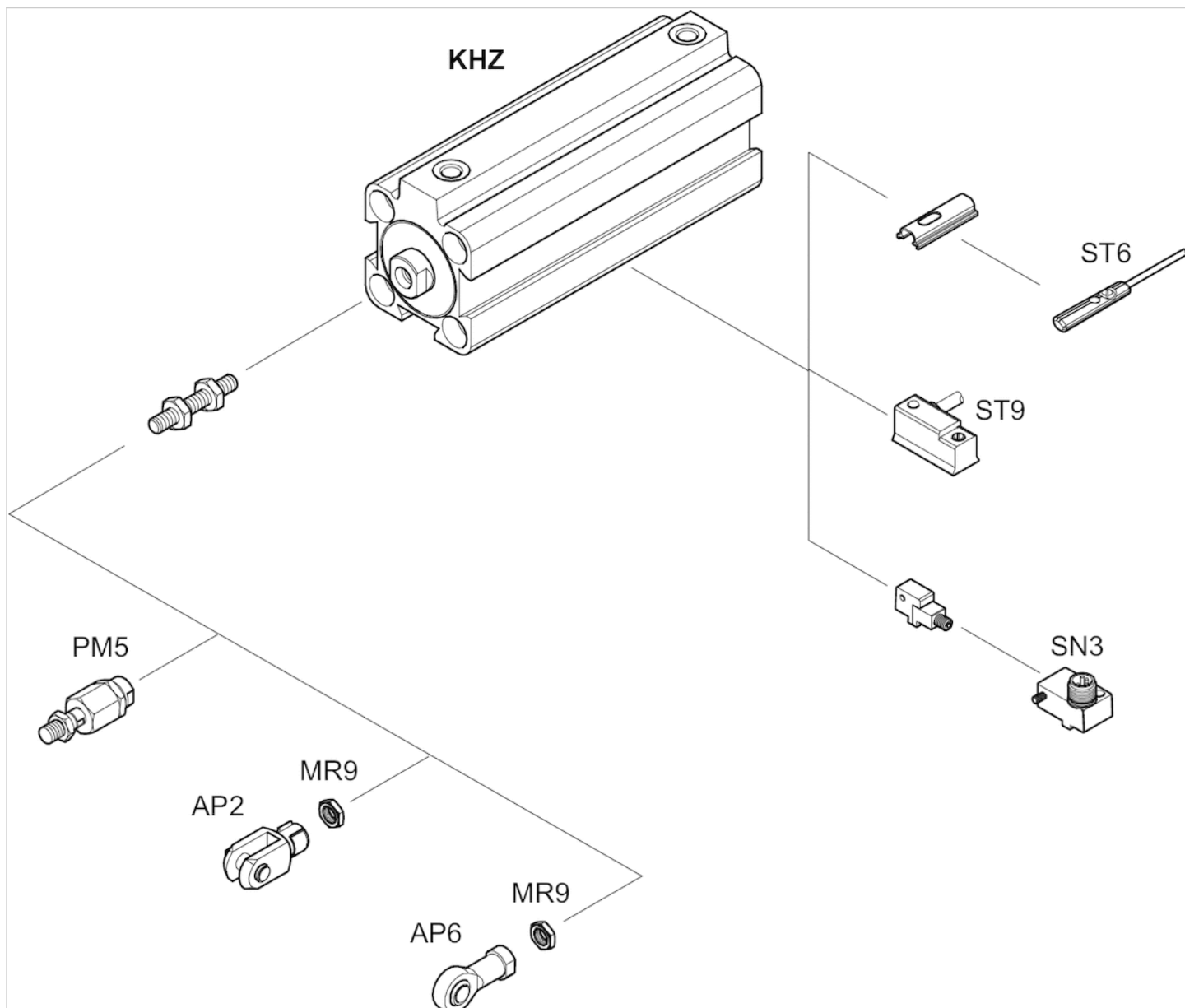
Piston Ø	WH	ZA±0,2	ZB±0,8
12 mm	5.5	30.5	36
12 mm	-	-	-
12 mm	5.5	30.5	36
12 mm	-	-	-
16 mm	4.5	32	36.5
16 mm	-	-	-
16 mm	4.5	38	42.5
16 mm	-	-	-

Piston Ø	WH	ZA±0,2	ZB±0,8
20 mm	4.5	32	36.5
20 mm	4.5	38	42.5
25 mm	9.5	39	48.5
32 mm	11	39.5	50.5
40 mm	13.5	39.5	53
50 mm	13.5	39.5	53
63 mm	15.5	42	57.5
80 mm	18	46	64
100 mm	20	56	76

1) Min.
S = stroke

Accessories overview

Overview drawing



NOTE: This overview drawing is only for orientation to indicate where the various accessory parts can be fastened to the cylinder. The

UK Office
5 Caulside Drive
Antrim
BT41 2DU
United Kingdom
+44 (0) 28 9448 1808

European Office
Unit 6, Saint Anthony's Business Park
Dublin
D22 VW95
Ireland
+353 (0) 1 4373653



illustration has been simplified for this purpose. It is thus not possible to derive the dimensions from this overview.