

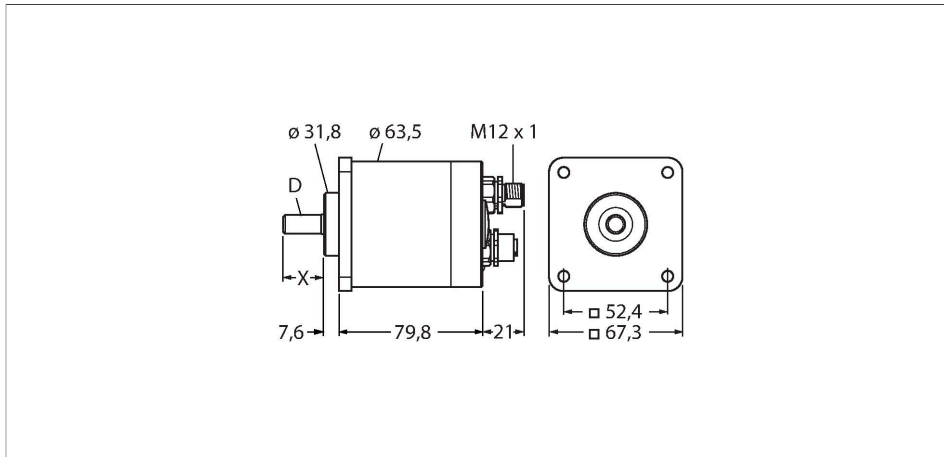
RM-89SA1R-9B28B-B2M12

Absolute Rotary Encoder - Multiturn

Industrial Line

Features

- Protection class IP67
- -40...+85 °C
- Max. 6000 rpm
- DeviceNet™
- Male 2 x M12
- Bus M12 Pin / BUS OUT M12 connector
- Singleturn, 16 bit resolution
- Multiturn, 12 bit resolution



Technical data

Type	RM-89SA1R-9B28B-B2M12
ID no.	1562100
Measuring principle	singleturn: resolver / multiturn: photoelectric
Max. Rotational Speed	6000 rpm
Ambient temperature	-40...+85 °C
Operating voltage	11...25 VDC
Output type	Absolute multiturn
Resolution singleturn	16 Bit
Resolution multiturn	12 Bit
Communication protocol	DeviceNet
Design	Solid shaft
Shaft Type	Solid shaft
Shaft diameter D [mm]	9.5
Wavelength L [mm]	30.5
Shaft material	Stainless steel
Housing material	Powder-coated die-cast aluminium
Axial shaft load	88.96 N
Radial shaft load	177.93 N
Vibration resistance (EN 60068-2-6)	5 ... 2000 Hz, 20g
Shock resistance (EN 60068-2-27)	50 G's for 11 msec
Protection class housing	IP67

Technical data

Protection class shaft

IP67

Pin Assignment	1	2	3	4	5	-	-	-	-
Pin assignment	3	2	5	4	1	-	-	-	-
Signal Bus Out	Shield	U _B +	U _B -	CAN_High (+)	CAN_Low (-)	-	-	-	-
Signal -Pin	BUS in 1	-	-	-	-	-	-	-	-