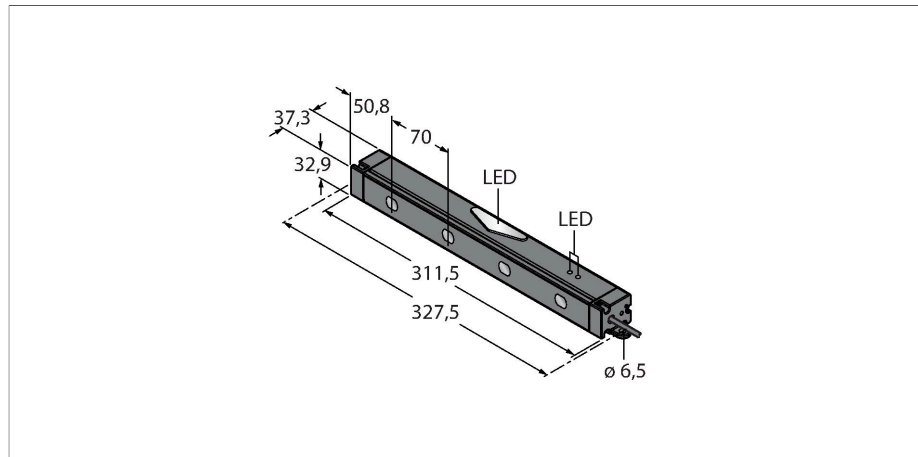


PVL225P

Pick-to-Light – Placement Sensor

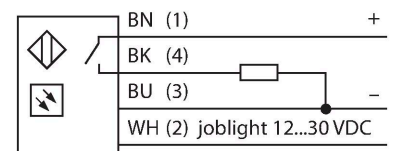
Reflex Light Grid



Features

- Scan field: 225mm
- 4-beam system
- Max. distance to reflector 1.5m
- Operating voltage: 12...30 VDC
- Protection class: IP50
- Cable, PVC, 2 m
- Reflector tape (25 x 280 mm or 25 x 555 mm) included in the scope of delivery
- PNP switching output

Wiring diagram



Technical data

Type	PVL225P
ID	3026207
Signal and display data	
Purpose	Pick-to-Light
Function	Retroreflective Sensor
Max. range	1500 mm
Light type	Red
Scan field	225 mm
Number of beams	4
Optical resolution	70 mm
Switch Function	Momentary
Features of color 1	Green, Permanently on
Features of color 2	Red, Flashing
Electrical data	
Operating voltage	12...30 VDC
DC rated operational current	≤ 140 mA
Max. current consumption per color	140 mA
Output function	NO contact, PNP
Input type	PNP
Response time typical	< 2 ms
Mechanical data	
Design	Rectangular, PVL
Dimensions	327.5 x 31 x 37.3 mm
Housing material	Metal, Anodized AL
Window material	Acrylic, clear

Functional principle

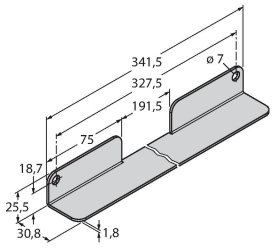
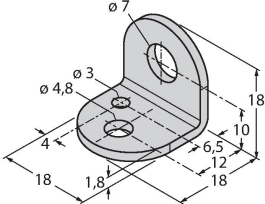
The PVL sensor is a user-friendly one-piece light screen used for assembly, component picking and fault detection tasks. The PVL incorporates emitter and receiver. Together with the reflector, which is included in the delivery, the sensor operates in retroreflective mode. The operating modes need not be configured. The reflector is mounted opposite to the sensor. The automatic set-up routine makes manual adjustments redundant. The work light is triggered externally and is steady green during the assigned signal period. The integrated sensor reports "pick-up" back. Mispick is indicated by the work light flashing red.

The term work light therefore refers to the visual indicator of the bin from which a part should be removed next. The actuation indicator confirms the removal with a different color. The mispick indicator illuminates if a bin was reached into when the work light was not set.

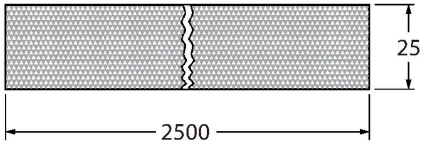
Technical data

Electrical connection	Cable, 2 m, PVC
Number of cores	5
Ambient temperature	-40...+50 °C
Protection class	IP50
Tests/approvals	
Approvals	CE

Accessories

SMBPVL2-225	3026817	SMBPVL3-225	3026818
<p>Mounting bracket, for PVL reflector foil, cold-rolled steel, reflector foil included in delivery</p>			<p>Mounting bracket, angled, for PVL reflector foil, cold-rolled steel, reflector foil included in delivery</p>
SMBPVL1	3026816	SMBPVL4	3026819
 <p>Mounting angle, for PVL, side mounting, cold-rolled steel, optional, 2 units required for assembly</p>		<p>Mounting angle, for PVL, lateral pipe mounting, 28 mm internal diameter, cold-rolled steel, optional, 2 units required for assembly</p>	
SMBPVL5	3026820		
<p>Mounting angle, for PVL, pipe mounting, 28 mm internal diameter, cold-rolled steel, optional, 2 units required for assembly</p>			

Accessories

Dimension drawing	Type	ID	
	BRT-THG-1-100	3026619	Rectangular reflector band, 25 x 2500 mm, cut to size, reflection factor 0.7, ambient temperature -20 ... +60 °C, range with PVL light grid 1.5 m

Dimension drawing	Type	ID	
	BRT-84X84A	3073690	Rectangular reflector, 84 x 84 mm, reflection factor 2, range with PVL light grid 6 m