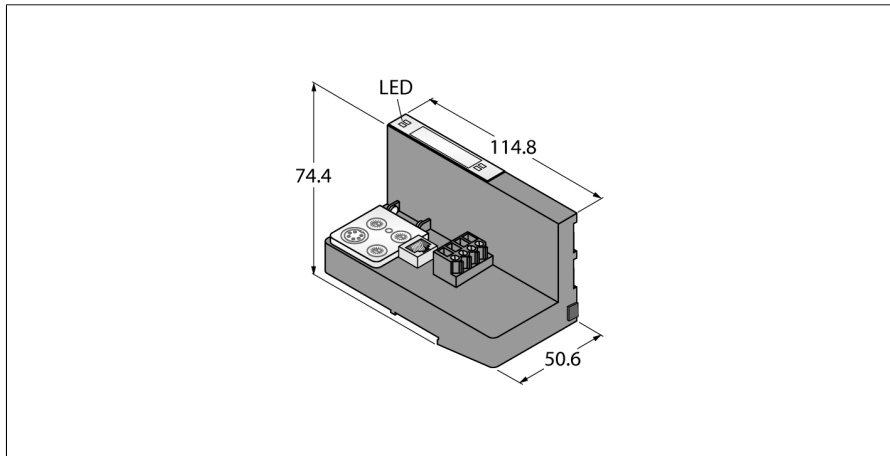
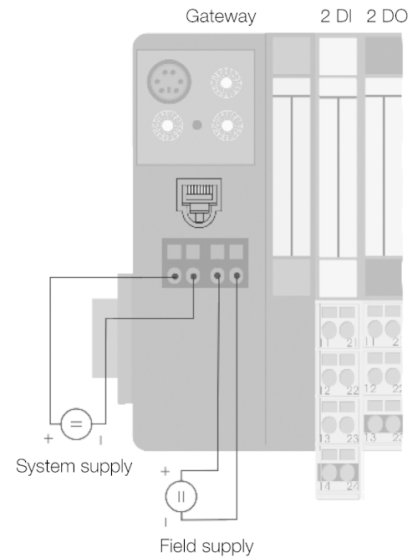


Gateway for the BL20 I/O System
Gateway for EtherNet/IP™
BL20-GW-EN-IP



Field/System Supply



Type designation	BL20-GW-EN-IP
Ident-No.	6827247
Supply voltage	24 VDC
System power supply	24 VDC / 5 VDC
Field supply	24 VDC
Admissible range	18...30 VDC
Nominal current from module bus	≤ 500 mA
Max. field supply current	10 A
Max. system supply current	1.2 A
Voltage supply connection	Screw terminals
Fieldbus addressing	Rotary switch, BOOTP, DHCP, IO-ASSISTANT
Fieldbus connection technology	RJ45 port
Max. number of I/O modules	74
Transmission rate	10/100 Mbps; full/half duplex; auto negotiation; auto crossing
Web server	192.168.1.254 (Default)
Service interface	PS/2 socket
Dimensions (W x L x H)	50.6 x 114.8 x 74.4mm
Approvals	CE, cULus, zone 2, Class I, Div. 2
Operating temperature	0 to +55 °C
Storage temperature	-25...+85 °C
Relative humidity	5 to 95% (internal), Level RH-2, no condensation (at 45 °C storage)
Vibration test	acc. to EN 61131
Shock test	acc. to IEC 68-2-27
Drop and topple	acc. to IEC 68-2-31 and free fall to IEC 68-2-32
Electromagnetic compatibility	acc. to EN 50,082-2
Protection class	IP20
Included in delivery	2 x end brackets BL20-WEW-35/2-SW, 1 x end plate BL20-ABPL

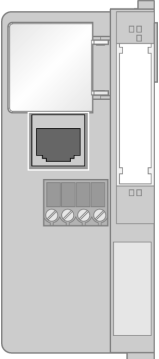

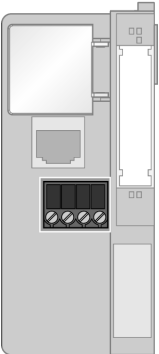
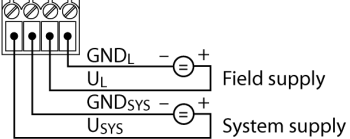
Functional principle

BL20 gateways are the head component of a BL20 station. They are designed to interface the modular fieldbus nodes to the higher level fieldbus (PROFIBUS-DP, DeviceNet, CANopen, Ethernet).

All BL20 electronic modules communicate over the internal module bus, the data of which is transferred to the fieldbus via the gateway, so that all I/O modules can be configured independently of the bus system.

Gateway for the BL20 I/O System
Gateway for EtherNet/IP™
BL20-GW-EN-IP

Anschlussübersicht

	<p>EtherNet/IP™ Fieldbus cable (example): RJ45S-RJ45S-441-2M (ident no. 6932517) or RJ45-FKSDD-441-0,5M/S2174 (ident no. 6914221)</p>	<p>Pin Assignment</p>  <p>1 = TX + 2 = TX - 3 = RX + 4 = n.c. 5 = n.c. 6 = RX - 7 = n.c. 8 = n.c.</p>
	<p>Power Supply The U_{sys} system supply feeds power to the gateway and the I/O modules. The U_L field supply feeds power to the sensors and actuators.</p>	<p>Pin Assignment</p>  <p>GNDL - + U_L - + Field supply GND_{sys} - + U_{sys} - + System supply</p>