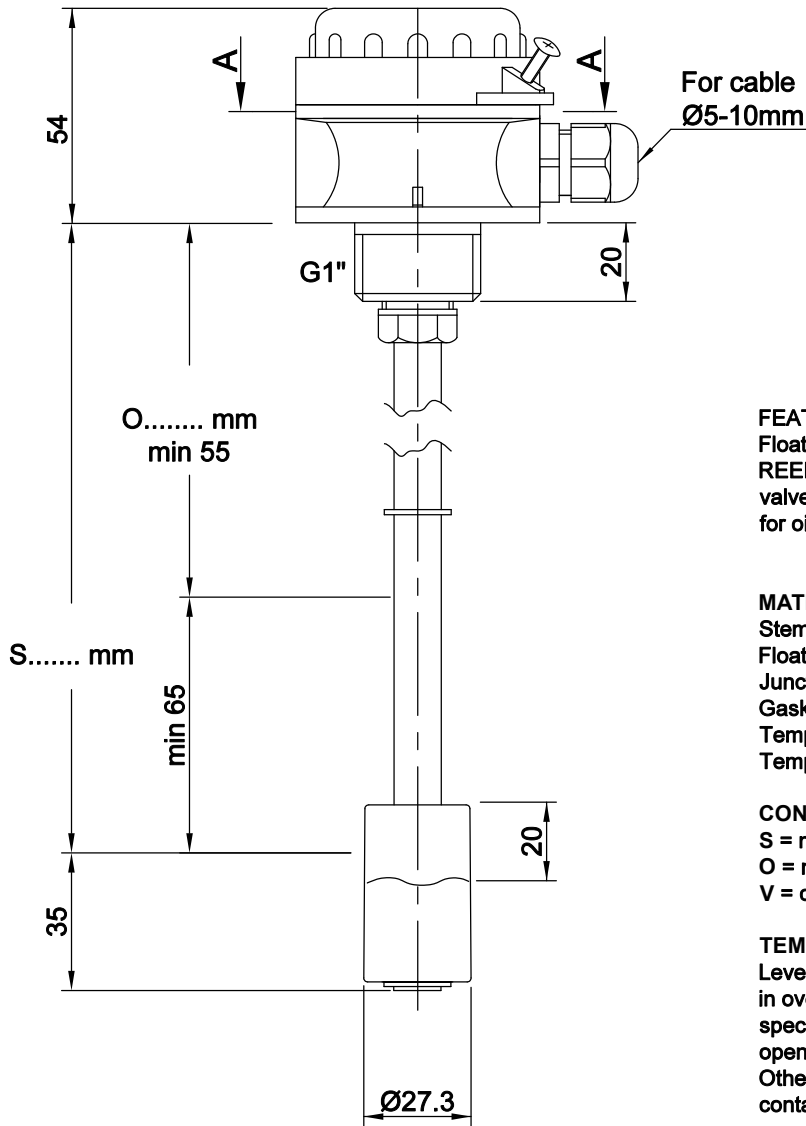
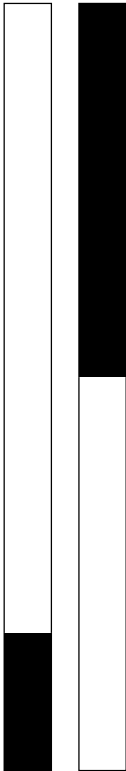




Ground



1 2 5 6



FEATURES

Float liquid level sensor with REED-technology to activate pumps or valves via relays or PCs. Recommended for oil and petroleum fluids.

MATERIALS

Stem : Brass
 Float : Buna-N (nitrofuel), S.G. 0,42
 Junction box : Polyamid 6
 Gasket : Nitrile
 Temp. media : -20...+100°C
 Temp. ambient : -20...+70°C

CONTACT SYMBOLS

S = means NC low, NO going upwards
 O = means NO low, NC going upwards
 V = change over

TEMPERATURE SWITCH

Level sensors may be equipped with built in over-temperature protection, if specified. Standard temperature switches open above +70°C and reset at +50°C. Other temperature settings or closing of contacts and tighter tolerances upon request.

PROTECTION DEGREE

Junction box : IP67
 Stem : IP68

ELECTRICAL DATA

Contact rating *	70 VA
max voltage	3-230 VAC/DC
max current	1,5 A

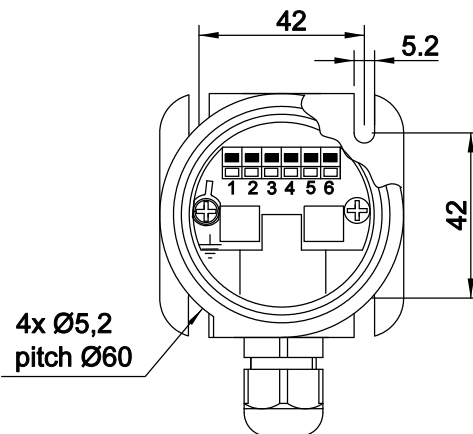
* = resistive load
 No ground = max 50 V

Note. Above values are for resistive loads. Mechanical life is 30 millions. Use series resistor for lamp load, or other suitable protection for inductive loads if the rating is higher than 1/10 of the values above.

Rights to the design and drawing belongs to HEMOMATIK Sweden, copyright ©

■ = Switch closed

□ = Switch open



Section A-A