

Conductive Plastic Angle Sensor

CPP-45 Series



- Conductive Plastic Angle Sensor
- Effective Electrical Travel : 350°
- Independent Linearity : ±0.3% (Special Linearity : ±0.1%)
- Servo Mount & Screw Mount

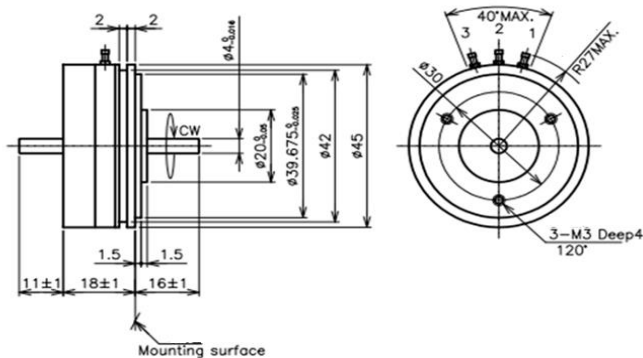
- CPP-45 : Ø4mm Shaft
- CPP-45B : Ø6mm Shaft

[Material]

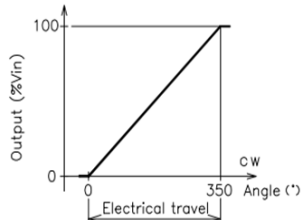
- Housing : Aluminum
- Shaft : Stainless Steel
- Ball Bearing : Stainless Steel

■ Dimension (mm)

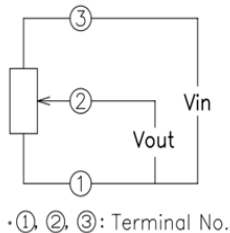
CPP-45



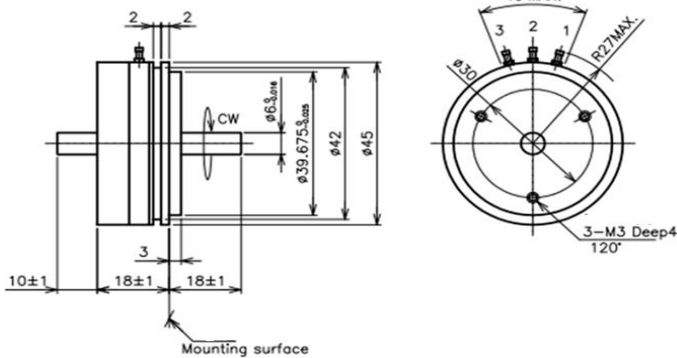
■ Output Characteristics



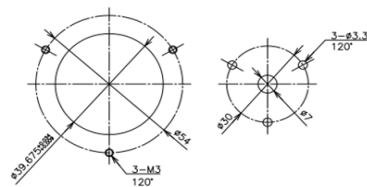
■ Schematic



CPP-45B



■ Mounting



[Model No.]	CPP-45	CPP-45B
	<Φ4mm Shaft>	<Φ6mm Shaft>
Electrical Specifications		
Effective Electrical Travel	350° + 2°、-3°	
Total Resistance	0.5, 1K, 2K, 5K, 10K Ω	
Total Resistance Tolerance	±15%	
Independent Linearity	±0.3% (Special Linearity ±0.1%)	
Rated Dissipation	3 W/70 °C	
Output Smoothness	MAX. 0.1%	
Insulation Resistance	MIN. 100MΩ/DC1000V	
Dielectric Strength	AC1000V/ 1 Minute	
TC of Resistance	±400 ppm/K	

Mechanical Specifications		
Total Mechanical Travel	360° endless	
Torque	1.8 mN · m MAX. (Additional 1.2mN · m/add one gang)	
Thrust Load Tolerance	1N	2N
Radial Load Tolerance	5N	6N
Mass	Approx. 60g (Additional 10g/add one gang)	

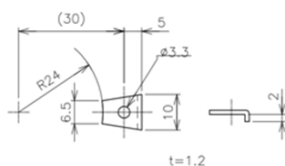
Environmental Specifications		
Life Cycles	10 Million Cycle	
Category Temperature Range	-40 ~ +120 °C	
Storage Temperature Range	-40 ~ +120 °C	
Vibration	150m/S ² 2000Hz 3axis 2hours each	
Shock	500m/S ² 11ms 6directions 3times	

■ Options

- Multi Ganging : More than 4 sections, please contact us
- Additional Taps : Up to 8 taps
 - For Output : Type (A) … No shorted angle
 - For Input : Type (B) … 1~5° shorted on tap
- Additional Center Tap
 - C.T(A) … No shorted angle
 - C.T(B) … Shorted on tap (Shorted angle 1~5°)

■ Accessories

Mounting Cleats : 2 pieces



■ Handling Instruction

- To avoid burnout of resistive element, do not supply more than 1mA current to terminal 2.
- Miswiring might cause burnout of resistive element.
- To reduce sliding noise, add load resistance should be more than 100times and less than 1000times of total resistance.
- Slight continuous vibration such as dither might cause short lifetime of the sensor.