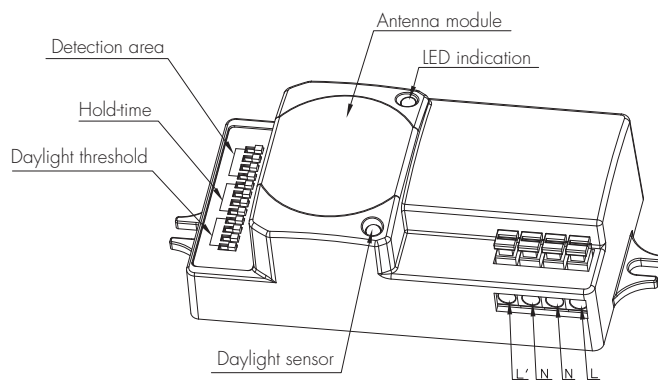
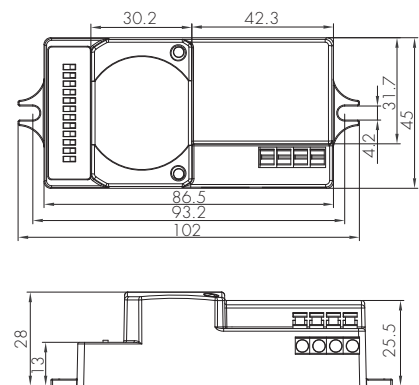


Synchronized Version On/off Control

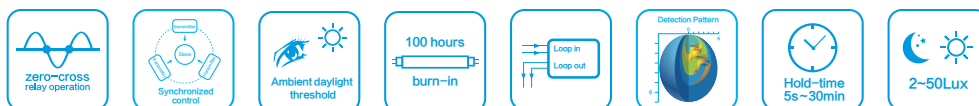
Model: HC419S



Model: HC419S (120-277Vac)

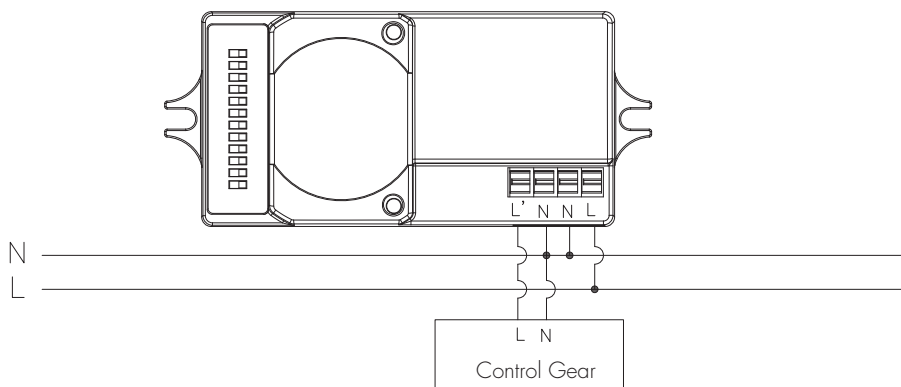


Mechanical structure (mm)



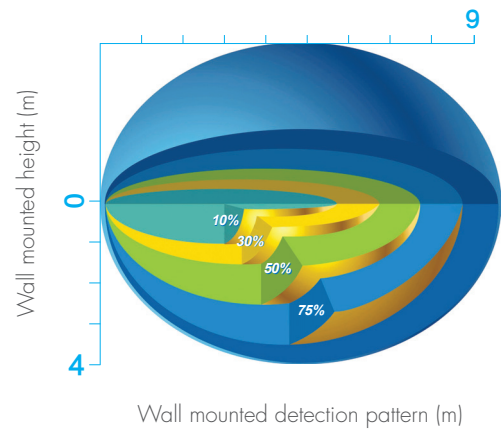
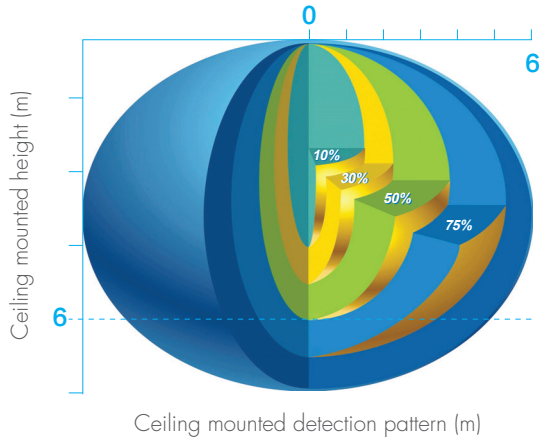
Product Functions and Features

- | | |
|-------------------------------------|---|
| 1 On/off function | 2 100H burn-in mode for fluorescent lamp |
| 3 Ambient daylight threshold | 4 Zero-cross relay operation |
| 5 Synchronization function | 6 Wire loop-in and loop-out |



Wiring Diagram

Detection Pattern



Settings

1 Detection area

Detection area can be reduced by selecting the combination on the DIP switches to fit precisely for each specific application.

	1	2	3	4	
I	●	●	●	●	100%
II	○	●	●	●	75%
III	●	○	●	●	50%
IV	●	●	○	●	30%
V	○	○	○	○	10%

I – 100%
II – 75%
III – 50%
IV – 30%
V – 10%

2 Hold-time

Hold-time means the time period to keep the lamp on 100%, after all motion has ceased (detection area vacated).

	1	2	3	4	
I	●	●	●	●	5s
II	○	●	●	●	30s
III	●	○	●	●	1min
IV	●	●	○	●	5min
V	●	●	●	○	10min
VI	●	●	○	○	20min
VII	○	○	○	○	30min

I – 5s
II – 30s
III – 1min
IV – 5min
V – 10min
VI – 20min
VII – 30min

3 Daylight sensor

The daylight threshold can be set on DIP switches, to fit for particular application.

	1	2	3	4	
I	●	●	●	●	Disable
II	○	●	●	●	50Lux
III	●	○	●	●	30Lux
IV	●	●	○	●	10Lux
V	○	○	○	○	2Lux

I – Disable
II – 50Lux
III – 30Lux
IV – 10Lux
V – 2Lux

Technical Data

Operating voltage	120-277Vac 50Hz/60Hz
Switched power	Capacitive load: 400W@120Vac; 1000W@277Vac Resistive load: 700W@120Vac; 1600W@277Vac
Standby power	<0.5W
Warm time	20s
Detection area	10/30/50/75/100%, can be customized
Hold time	5s/30s/1min/5min/10min/20min/30min, can be customized
Daylight threshold	2~50Lux; disable
Sensor principle	High frequency (microwave)
HF (microwave) frequency	5.8GHz+/-75MHz
HF (microwave) power	<0.2mW
Detection range	Max. (∅xH): 1.2m x 6m
Detection angle	30°~150°
Mounting height	Max. 6m
Operating temperature	-35°C ~ +70°C
IP rating	IP20 IP65(mounting in Hytronik special box)
Certificate	cULus listed, FCC