

Palm Grips · DIN 6335 stainless steel, die-cast
24631.0050



Product Description

These palm grips are manufactured according to DIN 6335.

Material

Handle

- Stainless steel A2, dull blasted

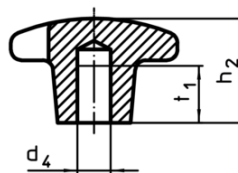
Drawing



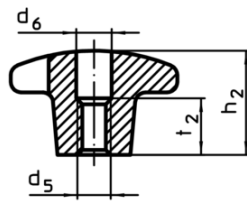
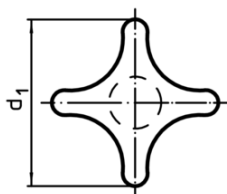
picture 1



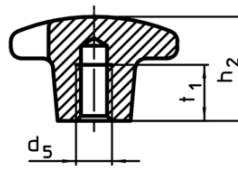
picture 2



picture 3



picture 4

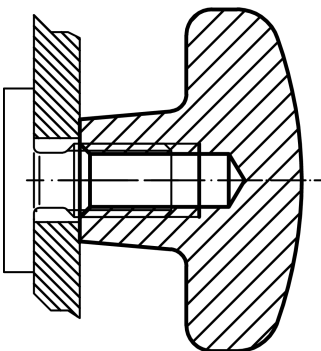


picture 5

Order information

d ₁	d ₂	Dimensions		h ₁	h ₃	[g]	Art. No.
		[mm]					
raw part, form A – picture 1							
50	18			34	20	128	24631.0050

Application example



Compliance

RoHS compliant

Compliant according to Directive 2011/65/EU and Directive 2015/863

Does not contain SVHC substances

No SVHC substances with more than 0.1% w/w contained - SVHC list [REACH] as of 10.06.2022

Does not contain Proposition 65 substances

No Proposition 65 substances included

<https://www.P65Warnings.ca.gov/>

Free from Conflict Minerals

This product does not contain any substances designated as "conflict minerals" such as tantalum, tin, gold or tungsten from the Democratic Republic of Congo or adjacent countries.