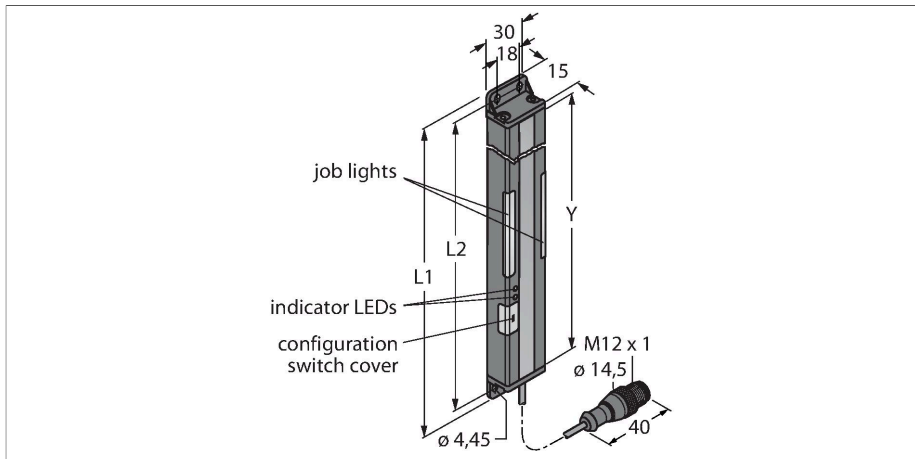


# PVA100P6RQ

## Pick-to-Light – Placement Sensor

### Light Grid



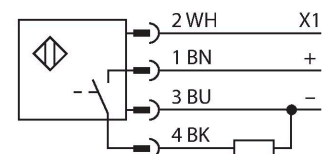
#### Technical data

Type	PVA100P6RQ
ID	3051917
<b>Signal and display data</b>	
Purpose	Pick-to-Light
Function	Opposed mode sensor
Max. range	2000 mm
Scan field	100 mm
Number of beams	5
Optical resolution	25 mm
Switch Function	Momentary
Features of color 1	Green, Can be set via DIP switches
<b>Electrical data</b>	
Operating voltage	12...30 VDC
Max. current consumption per color	62 mA
Output function	NO/NC, PNP
Input type	Bipolar (PNP/NPN)
Response time typical	< 20 ms
<b>Mechanical data</b>	
Design	Rectangular, PVA
Dimensions	137.8 x 30 x 15 mm
Housing material	Metal, AL, Black
Window material	Acrylic, clear
Electrical connection	Cable with connector, M12 x 1, 0.15 m, PVC
Number of cores	4

#### Features

- Scan field Y: 100 mm
- Total height 137.8 mm
- 5-beam system, beam spacing 25 mm
- Receiver
- Range max. 2 m
- Light / Dark operation
- Selectable frequency as protection against crosstalk
- Operating voltage 12...30 VDC
- PNP switching output of the receiver
- Input of operation request light +24 VDC
- Protection class IP62

#### Wiring diagram



#### Functional principle

This light screen used for fault detection and assembly sequences, has good visible job lights at the emitter and the receiver, guiding the operator through the picking sequence. Missing parts and incorrect assembly are thus avoided. A control unit issues the work sequence and indicates the next work step after receiving feedback from the light screen. Misspick is immediately detected and indicated by a red flashing light.


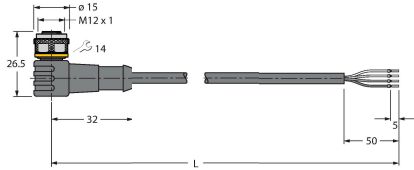
## Technical data

Ambient temperature	0...+50 °C
Protection class	IP62
<b>Tests/approvals</b>	
Approvals	CE, cURus

## Accessories

<p><b>SMBPVA5</b></p>	<p><b>3056500</b></p> <p>Mounting bracket, for PVA100, cold-rolled steel, cut-out for DIP switch block</p>	<p><b>SMBPVA5A</b></p>	<p><b>3062446</b></p> <p>Mounting bracket, for PVA100, cold-rolled steel, cut-out for DIP switch block, protection for light</p>
<p><b>SMBPVA5AB</b></p>	<p><b>3070805</b></p> <p>Mounting bracket, for PVA100, cold-rolled steel, no cut-out for DIP switch block, protection for light</p>	<p><b>SMBPVA1</b></p>	<p><b>3056884</b></p> <p>Mounting bracket, for PVA and PVD, stainless steel; set consisting of two brackets and screws</p>

Accessories

Dimension drawing	Type	ID	
	RKC4.4T-2/TEL	6625013	Connection cable, female M12, straight, 4-pin, cable length: 2 m, sheath material: PVC, black; cULus approval; other cable lengths and qualities available, see <a href="http://www.turck.com">www.turck.com</a>
	WKC4.4T-2/TEL	6625025	Connection cable, female M12, angled, 4-pin, cable length: 2 m, sheath material: PVC, black; cULus approval; other cable lengths and qualities available, see <a href="http://www.turck.com">www.turck.com</a>