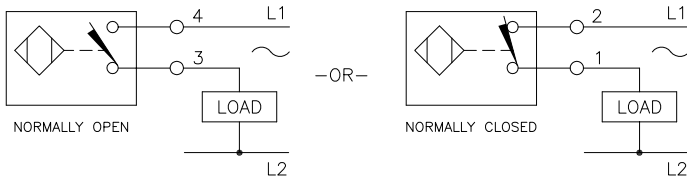
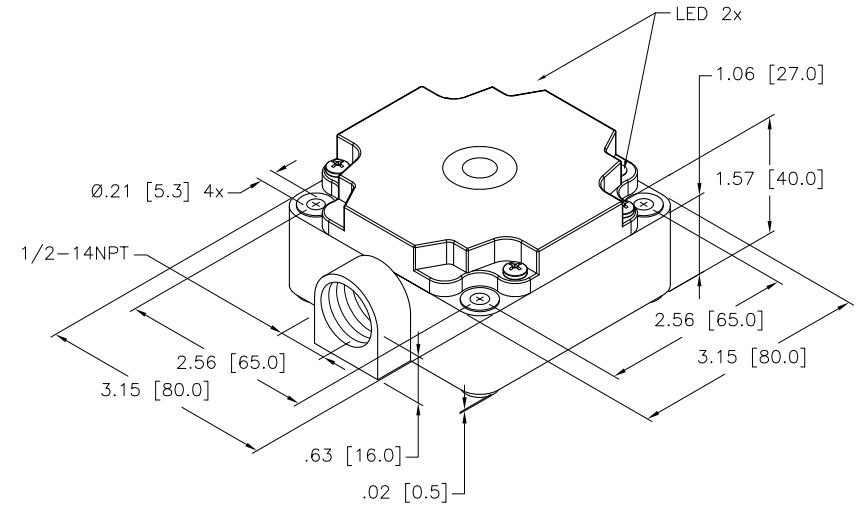


OPERATING VOLTAGE .....	2-WIRE AC/DC, 20-250 VAC/VDC
OUTPUT FUNCTION.....	CONNECTION PROGRAMMABLE
EMBEDDABLE .....	YES
RATED OPERATING DISTANCE.....	40 mm
APPROVAL OR CERTIFICATION.....	CSA (C US), CE
SHORT-CIRCUIT PROTECTION.....	NO
WELD-FIELD IMMUNITY.....	NO
SWITCHING FREQUENCY.....	20 Hz
LINE FREQUENCY.....	40-60 Hz
DIFFERENTIAL TRAVEL <HYSTERESIS>.....	3-15% (5% TYPICAL)
VOLTAGE DROP ACROSS CONDUCTING SENSOR.....	≤7.0 V AT 500 mA
CONTINUOUS LOAD CURRENT.....	≤500 mA
OFF-STATE <LEAKAGE> CURRENT.....	≤1.7 mA
MINIMUM LOAD CURRENT.....	≥5.0 mA
INRUSH CURRENT.....	≤8.0 A (≤10 ms, 5% DUTY CYCLE)
TIME DELAY BEFORE AVAILABILITY.....	≤80 ms
POWER-ON EFFECT.....	PER IEC 947-5-2
TRANSIENT PROTECTION.....	PER EN 60947-5-2
OPERATING TEMPERATURE.....	-25°C TO +70°C (-13°F TO + 158°F)
SHOCK.....	.30 g, 11 ms
VIBRATION.....	55 Hz, 1 mm AMPLITUDE (ALL 3 PLANES)
REPEATABILITY.....	≤2% OF RATED OPERATING DISTANCE
NUMBER OF LEDS.....	2
LED FUNCTION <RED>.....	OUTPUT ENERGIZED
LED FUNCTION <GREEN>.....	POWER ON
ENCLOSURE.....	MEETS NEMA 1,3,4,6,13, AND IEC IP 67
CONNECTION.....	½-14 NPT CONDUIT FITTING
HOUSING MATERIAL.....	PBT-GF30-V0 PLASTIC
TERMINAL CHAMBER COVER MATERIAL.....	TROGAMID T



SOURCE DRAWING - FOR REFERENCE ONLY

CAUTION! NOT SHORT-CIRCUIT PROTECTED. AN ELECTRICAL SHOCK HAZARD EXISTS INSIDE OF TERMINAL CHAMBER-STYLE SENSORS WHENEVER POWER IS APPLIED. REMOVE ALL POWER TO THE SENSOR WHENEVER SENSOR WIRING IS EXPOSED.

NOTE: ALL DIMENSIONAL TOLERANCES ±1.0 mm.

RELATED DOCUMENTS		3RD ANGLE PROJECTION		THIS DRAWING IS PROPERTY OF TURCK INC. USE OF THIS DOCUMENT WITHOUT WRITTEN PERMISSION IS PROHIBITED.		<b>TURCK INC</b> High Technology Sensors and Automation Controls 3000 CAMPUS DRIVE MINNEAPOLIS, MN 55441 1-800-544-7769 (763) 553-7300 (763) 553-0708 fax turck.com	
1.				DRFT CBM		DATE 09/13/00	
2.				DSGN		SCALE NONE	
3.		ALL DIMENSIONS DISPLAYED ON THIS DRAWING ARE FOR REFERENCE ONLY		UNIT OF MEASUREMENT		DESCRIPTION	
4.				INCH [ MILLIMETER ]		Bi40-CP80-FZ3X2	
MATERIAL		CONTACT TURCK FOR MORE INFORMATION		IDENTIFICATION NO.		REV	
FINISH				M1340401		C	
DO NOT SCALE THIS DRAWING		FILE: M1340401		SHEET 1 OF 1			

C	UPDATE VOLTAGE SPEC FROM VAC	TR	07/12/07	18321
REV	DESCRIPTION	BY	DATE	ECO NO.