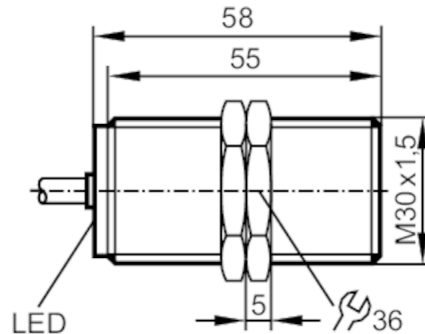




Inductive sensor

IIK3012BBPKG/1,03M/PH/packard

Article no longer available - archive entry



Product characteristics

Electrical design		PNP
Output function		normally open
Sensing range	[mm]	12
Housing		Threaded type
Dimensions	[mm]	M30 x 1.5 / L = 58

Application

System		Increased sensing range
--------	--	-------------------------

Electrical data

Operating voltage	[V]	10...36 DC
Current consumption	[mA]	< 15
Protection class		II
Reverse polarity protection		yes

Outputs

Electrical design		PNP
Output function		normally open
Max. voltage drop switching output DC	[V]	2.5
Permanent current rating of switching output DC	[mA]	250
Switching frequency DC	[Hz]	100
Short-circuit protection		yes
Type of short-circuit protection		yes (non-latching)
Overload protection		yes

Monitoring range

Sensing range	[mm]	12
Operating distance	[mm]	0...9.72
Increased sensing range		yes

II5956



Inductive sensor

IIK3012BBPKG/1,03M/PH/packard

Accuracy / deviations		
Correction factor	steel: 1 / stainless steel: 0.7 / brass: 0.5 / aluminum: 0.4 / copper: 0.3	
Hysteresis [% of Sr]	1...20	
Operating conditions		
Ambient temperature [°C]	-40...70	
Protection	IP 69K	
Tests / approvals		
EMC	Noise emission and noise interference according to the automotive directive 95/54/EC	
	noise immunity according to DIN ISO 11452-2	120 V/m
	EN 61000-4-2 ESD	4 kV CD / 8 kV AD
	EN 61000-4-3 HF radiated	10 V/m
	EN 61000-4-4 Burst	2 kV
	EN 61000-4-5 Surge	0,5 mains line to line
	EN 61000-4-6 HF conducted	10 V
Shock resistance	EN 55011 emission	class B
	EN 60068-2-27	150 g 11 ms half-sine; 3 shocks each in every direction along the three coordinate axes at -40 °C and 70 °C
Mechanical data		
Weight [g]	147	
Housing	Threaded type	
Mounting	flush mountable	
Dimensions [mm]	M30 x 1.5 / L = 58	
Thread designation	M30 x 1.5	
Material	threaded sleeve: brass white bronze coated; sensing face: PBT; end cap: TPU (urethane)	
Displays / operating elements		
Display	Switching status	1 x LED, yellow
Accessories		
Items supplied	lock nuts: 2	
Remarks		
Pack quantity	1 pcs.	

II5956



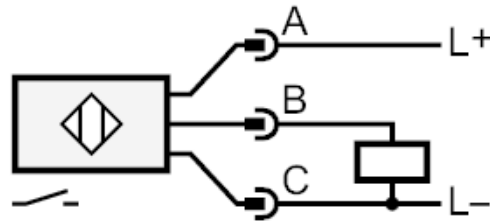
Inductive sensor

IIK3012BBPKG/1,03M/PH/packard

Electrical connection

Cable: 1.03 m, PUR, Ø 5.4 mm; 3 x 0.5 mm²

Connection



Connector: 1 x Weather-Pack ((12010717))