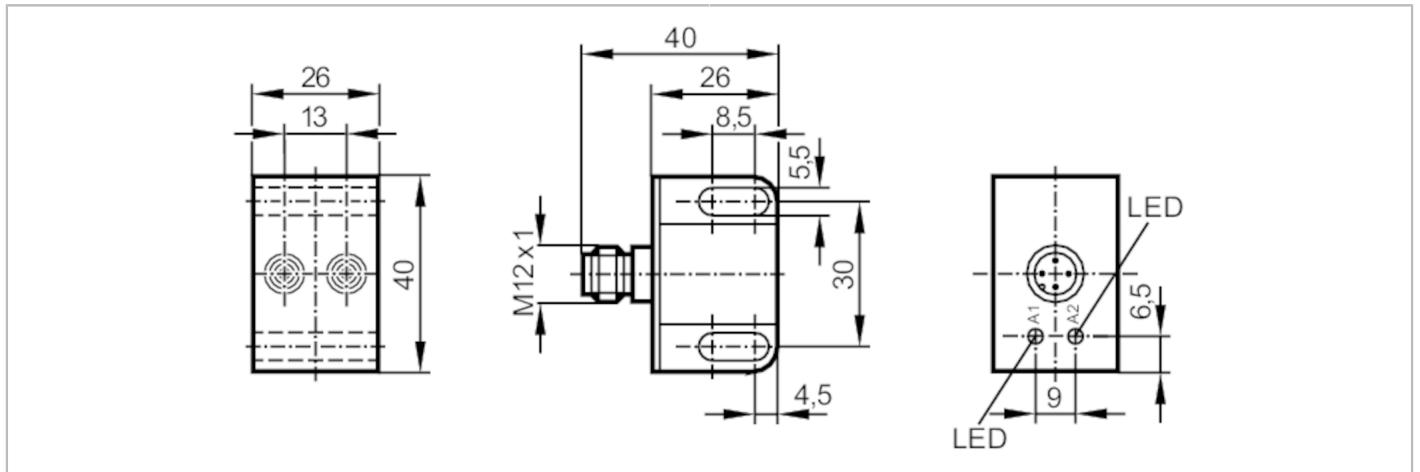


IN5416



Dual inductive sensor for valve actuators

IND3004DBPKG/US-100-KPV



Product characteristics

Electrical design		PNP
Output function		2 x normally open
Sensing range	[mm]	4
Housing		rectangular
Dimensions	[mm]	40 x 26 x 26

Application

System		gold-plated contacts
--------	--	----------------------

Electrical data

Operating voltage	[V]	10...36 DC
Rated insulation voltage	[V]	250
Current consumption	[mA]	< 15
Protection class		II
Reverse polarity protection		yes

Outputs

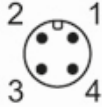
Electrical design		PNP
Output function		2 x normally open
Max. voltage drop switching output DC	[V]	2.5
Max. leakage current	[mA]	0.5
Permanent current rating of switching output DC	[mA]	250
Short-time current rating of switching output	[mA]	250
Switching frequency DC	[Hz]	1000
Short-circuit protection		yes
Overload protection		yes

IN5416



Dual inductive sensor for valve actuators

IND3004DBPKG/US-100-KPV

Monitoring range		
Sensing range	[mm]	4
Real sensing range Sr	[mm]	4 ± 10 %
Operating distance	[mm]	0...3.24
Accuracy / deviations		
Correction factor		steel: 1 / stainless steel: 0.7 / brass: 0.4 / aluminum: 0.3 / copper: 0.2
Hysteresis	[% of Sr]	1...15
Switch-point drift	[% of Sr]	-10...10
Operating conditions		
Ambient temperature	[°C]	-25...80
Protection		IP 67
Tests / approvals		
EMC		EN 60947-5-2
Mechanical data		
Weight	[g]	40
Housing		rectangular
Mounting		non-flush mountable
Dimensions	[mm]	40 x 26 x 26
Material		housing: PBT; cover: PC
Tightening torque	[Nm]	0.6...1.5; (knurled nut)
Displays / operating elements		
Display	Switching status	2 x LED, yellow
Remarks		
Pack quantity		1 pcs.
Electrical connection - plug		
Connector: 1 x M12; coding: A; Contacts: gold-plated		
		

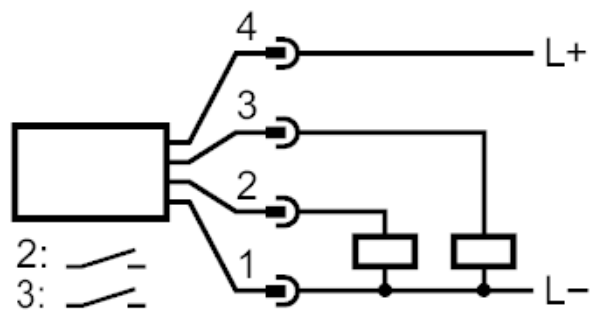
IN5416



Dual inductive sensor for valve actuators

IND3004DBPKG/US-100-KPV

Connection



2: OUT 1

3: OUT 2