

KT5301



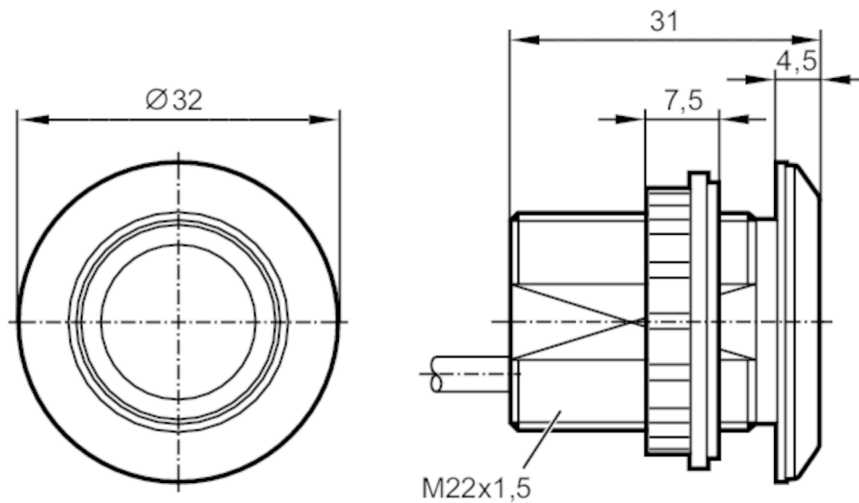
Capacitive illuminated pushbutton

KTMDF-E-RBPKG/0,3M

Article to be discontinued

Alternative articles: KT5309

When selecting an alternative article and accessories please note that technical data may differ!



Product characteristics

Electrical design	PNP
Output function	normally open
Dimensions [mm]	Ø 32 / L = 31

Application

Principle of operation	dynamic
------------------------	---------

Electrical data

Operating voltage [V]	12...30 DC
Current consumption [mA]	30
Protection class	III
Reverse polarity protection	yes
Max. power-on delay time [ms]	500

Outputs

Electrical design	PNP
Output function	normally open
Permanent current rating of switching output DC [mA]	200
Short-circuit protection	yes
Overload protection	yes
Length of output signal [ms]	300

Reaction times

Response time [ms]	35
--------------------	----

KT5301



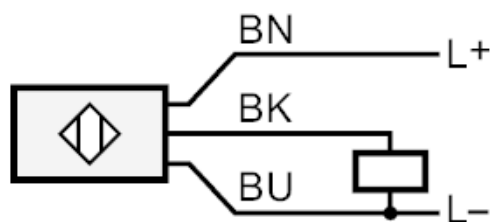
Capacitive illuminated pushbutton

KTMDF-E-RBPKG/0,3M

Operating conditions		
Ambient temperature	[°C]	-40...85
Protection		IP 65; IP 67; IP 69K; (on the front)
Mechanical data		
Weight	[g]	65.2
Dimensions	[mm]	Ø 32 / L = 31
Material		stainless steel (1.4404 / 316L); actuating surface: PA Grilamid TR 90UV
Displays / operating elements		
Display	Switching status	1 x LED, red
	Power	1 x LED, green
Accessories		
Items supplied	lock nuts:	1
	Gasket:	1
Accessories (optional)	Symbol disc	
Remarks		
Pack quantity		1 pcs.

Electrical connection	
Cable: 0.3 m, PUR	

Connection



	Core colors :
BK =	black
BN =	brown
BU =	blue