

# FLASHING WARNING LIGHTS 5 J WBL/WBS | WBL-PX



The classics of flashing lights.

- Sturdy metal housing.
- Universally usable.
- Also available with GL approval.
- Housing and fixing bracket made of sturdy anodised aluminium.
- Aggressive environmental conditions or driving rain cannot damage the light.
- Impact-proof lens.
- Ideally suited for tough industrial environments.
- Flash tube additionally secured by a steel clamp.



protection system



operating temperature



WBL-PX



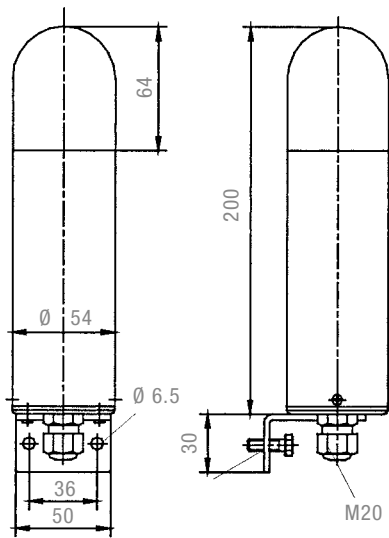
PRODUCT	AC	WBL					WBL-PX
DATA							
Rated voltage	230 V	110 V	48 V	42 V	24 V	230 V	
	AC 50   60 Hz	AC 50   60 Hz	AC 50   60 Hz	AC 50   60 Hz	AC 50   60 Hz	AC 50   60 Hz	
Operating range	185–255 V	90–135 V	40–54 V	35–50 V	20–30 V	185–255 V	
Nominal current consumption	0.07 A	0.1 A	0.47 A	0.5 A	0.77 A	0.055 A	
Initial current limited to						≤ 6 A / 110 μs	

PRODUCT	DC	WBS				
DATA						
Rated voltage	110 V DC	80 V DC	60 V DC	48 V DC	24 V DC	12 V DC
Operating range	88–132 V	64–96 V	50–72 V	40–60 V	18–35 V	10–15 V
Nominal current consumption	0.09 A	0.11 A	0.13 A	0.18 A	0.25 A	0.6 A

PRODUCT	WBL	WBS	WBL-PX
Flash rate	1 Hz = 60 flashes/min		
Flash energy	5 J		
Light intensity (DIN 5037) <sup>1</sup>	61 cd		
Max. viewing distance	181 m		
Operating temperature	–40 °C ... +55 °C		
Storage temperature	–40 °C ... +70 °C		
Relative humidity	90 %		
Protection system (EN 60529)	IP 54 (vertical mounting)		
Duty cycle	100 %		
Service life of the light source	light emission still 70 % after 8,000,000 flashes		
Material	lens	polycarbonate (PC)	
	housing	aluminium (Al Mg Si 1), yellow anodised	
	base	polycarbonate (PC) with fibre glass	
Cable entry	M20x 1.5		
Connecting terminal	single wire 0.5–2.5 mm <sup>2</sup> , fine wire 0.5–1.5 mm <sup>2</sup> , with cable end sleeves DIN 46228/1		
Weight	260 g	300 g	260 g

<sup>1</sup> with a clear lens

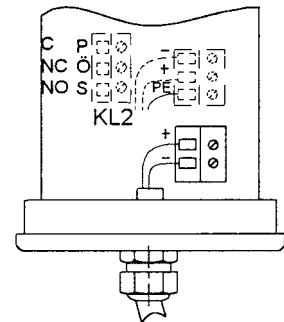
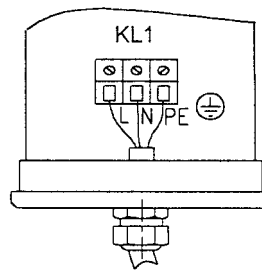
**DIMENSIONS**



**CONNECTION DIAGRAMS**

**WBL | WBL-PX**

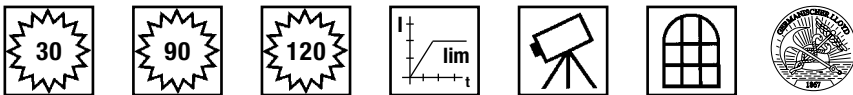
**WBS**



ARTICLE NO.	WBL		WBS	
	230 V AC	110 V AC	60 V DC	24 V DC
●	21003103000	21003163000	21003 653000	21003803000
●	21003104000	21003164000	21003 654000	21003804000
●	21003105000	21003165000	21003 655000	21003805000
ARTICLE NO.	WBL-PX			
LENS COLOUR	230 V AC			
●	21003103175			

Article numbers for other colours and voltages on request.

**OPTIONS/ACCESSORIES**



Article no.  
28710500041

**CONFORMITY TO STANDARDS**

The visual characteristics of flashing lights conform to the European standard DIN EN 842; “Machine safety – visual alarm signals”. Requirements contained in the DIN EN 981 standard; “Machine safety – system of acoustic and visual alarm and information signals”, can be fulfilled. The colours “red” for the emergency signal and “yellow” for the warning signal conform to the requirements of IEC 73 / DIN EN 60073 / VDE 0199; “Coding of display devices and control elements using colours and supplementary means”.  
References to visual alarm devices can be found in the following standards:  
EN 60825-1 Radiation safety of laser devices, identical to IEC 825 and DIN-VDE 0837  
DIN EN 54 Fire alarm systems  
DIN 54113-2 Radiation protection regulations for the technical operation of X-ray equipment up to 500 kV