



Diesel Engine Fire Pump Controllers Battery Charger Replacement Instructions

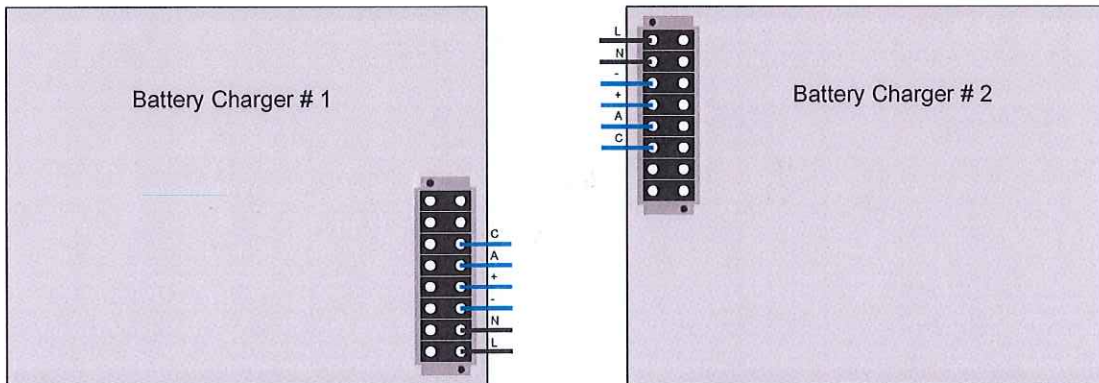
The instructions outline the steps required to retrofit existing FD100 Diesel Engine Controller Battery Chargers with retrofit kit # 4A55541G01.

WARNING

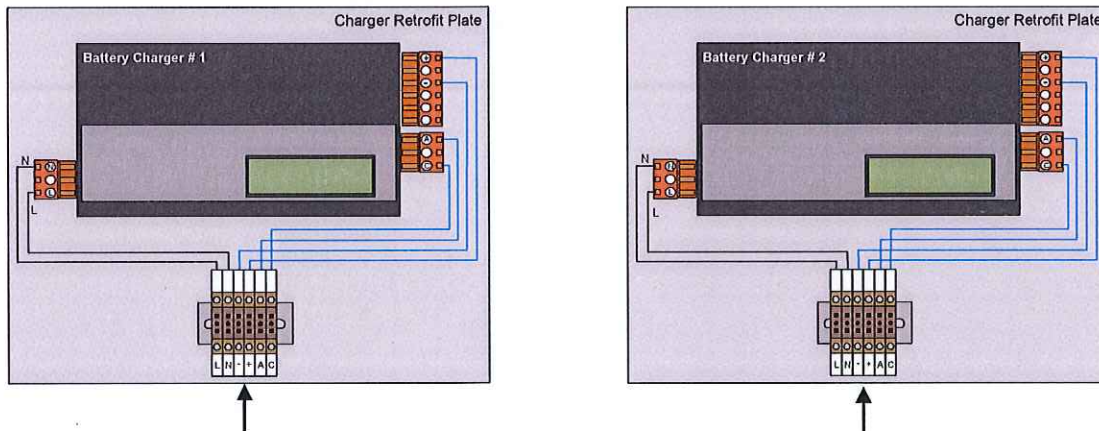
Only qualified personnel should complete this procedure.

1. Remove power from the fire pump controller.
2. Remove the wires marked C, A, +, -, L, N from the battery charger terminals.
3. Remove the crimp-on connector from each wire and strip the end of each wire so that it can be inserted into the appropriate wire terminal on the charger retrofit back pan.
4. Remove the existing battery charger(s) and install the charger retrofit kit(s).
5. Re-ground the ground wires attached to the old charger - to one of the four new charger installation bolts located on the corners of the retrofit kit.
6. Insert the wires into the appropriate terminals located at the bottom of the retrofit kit.

Existing Battery Chargers



Battery Charger Retrofit Kit



Insert wires from the existing charger into the terminals at the bottom of the retrofit plate.

Insert wires from the existing charger into the terminals at the bottom of the retrofit plate.