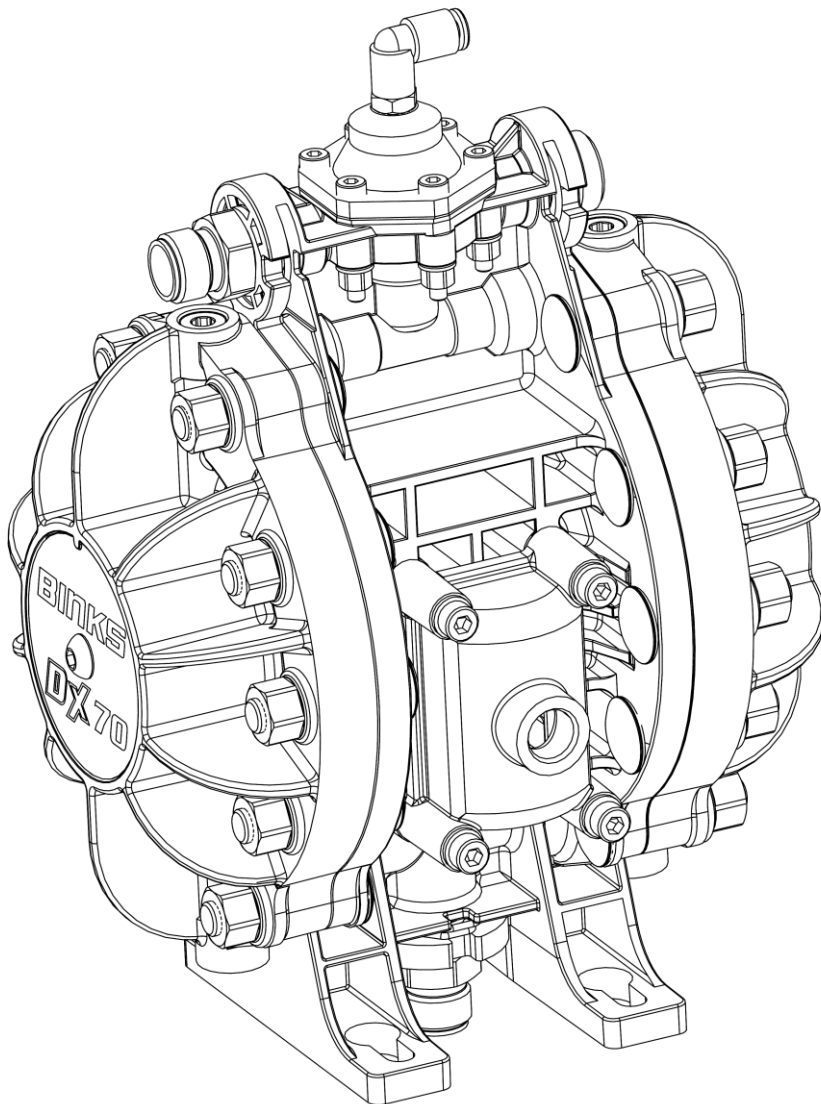


DX70 Diaphragm Pump



Product Description	Diaphragm Pumps - DX70 Bare pump and packages
This Product is designed for use with:	Solvent and Water based Materials
Suitable for use in hazardous area:	Zone 1 & 2
Protection Level:	II 2 G X IIB T4 (NB 0891)
Manufacturer:	Binks, Ringwood Road, Bournemouth, BH11 9LH. UK

EU Declaration of Conformity



We: Binks declare that the above product conforms with the Provisions of:

Machinery Directive 2006/42/EC

ATEX Directive 94/9/EC

by complying with the following statutory documents and harmonized standards:

EN ISO 12100: Safety of Machinery - General Principles for Design

EN ISO 4413: Hydraulic Fluid Power - General Rules and safety requirements

EN ISO 4414: Pneumatic Fluid Power - General Rules and safety requirements

EN 12621: Machinery for the supply and circulation of coating materials under pressure - Safety requirements

EN1127-1: Explosive atmospheres - Explosion prevention - Basic concepts



EN 13463-1: Non electrical equipment for use in potentially explosive atmospheres - Basic methods and requirements

EN 13463-5: Non electrical equipment for use in potentially explosive atmospheres - Protection by constructional safety

Providing all conditions of safe use stated within the product manuals have been complied with and that the final equipment into which this product is installed has been re-assessed as required, in accordance with essential health and safety requirements of the above standards, directives and statutory instruments and also installed in accordance with any applicable local codes of practice.

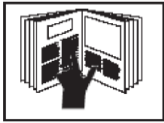
D Smith (General Manager)

1/4/13

 WARNING	 CAUTION	NOTE
Hazards or unsafe practices which could result in severe personal injury, death or substantial property damage.	Hazards or unsafe practices which could result in minor personal injury, product or property damage	Important installation, operation or maintenance information.

 **WARNING**

Read the following warnings before using this equipment.



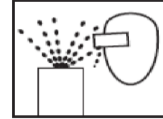
READ THE MANUAL. Before operating finishing equipment, read and understand all safety, operation and maintenance information provided in the operation manual.



AUTOMATIC EQUIPMENT. Automatic equipment may start suddenly without warning.



WEAR SAFETY GLASSES. Failure to wear safety glasses with side shields could result in serious eye injury or blindness.



PROJECTILE HAZARD. You may be injured by venting liquids or gases that are released under pressure, or flying debris.



DE-ENERGIZE, DE-PRESSURIZE, DISCONNECT AND LOCK OUT ALL POWER SOURCES DURING MAINTENANCE. Failure to de-energize, disconnect and lock out all power supplies before performing equipment maintenance could cause serious injury or death.



KNOW WHERE AND HOW TO SHUT OFF THE EQUIPMENT IN CASE OF AN EMERGENCY.



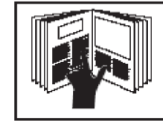
NOISE LEVELS. The A-weighted sound level of pumping and spray equipment may exceed 85 dB(A) depending on equipment settings. Actual noise levels are available on request. It is recommended that ear protection is worn at all times while equipment is in use.



PRESSURE RELIEF PROCEDURE. Always follow the pressure relief procedure in the equipment instruction manual.



INSPECT THE EQUIPMENT DAILY. Inspect the equipment for worn or broken parts on a daily basis. Do not operate the equipment if you are uncertain about its condition.



OPERATOR TRAINING. All personnel must be trained before operating finishing equipment.



EQUIPMENT MISUSE HAZARD. Equipment misuse can cause the equipment to rupture, malfunction or start unexpectedly and result in serious injury.



PACEMAKER WARNING. You are in the presence of magnetic fields which may interfere with the operation of certain pacemakers.



HIGH PRESSURE CONSIDERATION. High pressure can cause serious injury. Relieve all pressure before servicing. Spray from the gun, hose leaks or ruptured components can inject fluid into your body and cause extremely serious injury.



KEEP EQUIPMENT GUARDS IN PLACE. Do not operate the equipment if the safety devices have been removed.



STATIC CHARGE. Fluid may develop a static charge that must be dissipated through proper grounding of the equipment, objects to be sprayed and all other electrically conductive objects in the dispensing area. Improper grounding or sparks can cause a hazardous condition and result in fire, explosion or electric shock and other serious injury.



NEVER MODIFY THE EQUIPMENT. Do not modify the equipment unless the manufacturer provides written approval.



PROP 65 WARNING. WARNING: This product contains chemicals known to the state of California to cause cancer and birth defects or other reproductive harm.



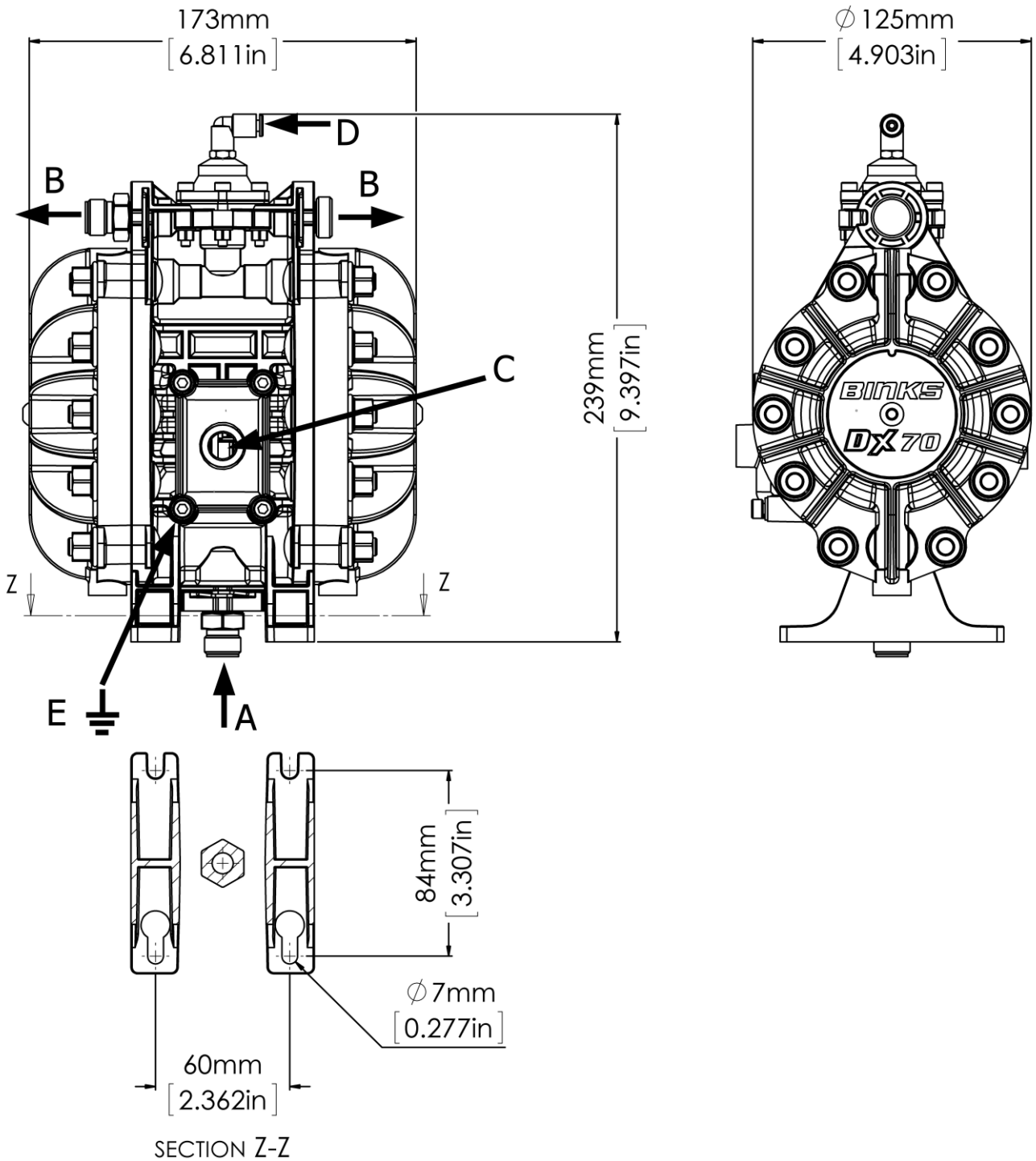
PINCH POINT HAZARD. Moving parts can crush and cut. Pinch points are any areas where there are moving parts.

IT IS THE RESPONSIBILITY OF THE EMPLOYER TO PROVIDE THIS INFORMATION TO THE OPERATOR OF THE EQUIPMENT.

Specification

	Ratio:	1:1
	Maximum air inlet pressure:	7 Bar [100 PSI]
	Maximum fluid pressure:	7 Bar [100 PSI]
	Displacement per cycle:	0.07 Litres [0.018 US Gall]
	Output @ 60 cycles / min:	4.2 Litres/min [1.1 US Gall/min]
	Maximum Recommended Continuous Cycle Rate (cycles / min):	10
	Maximum Recommended Intermittent Cycle Rate (cycles / min):	30
A	Fluid inlet connection:	3/8" Universal (BSPP/NPSM) Male or Female
B	Fluid outlet connection:	3/8" Universal (BSPP/NPSM) Male or Female
C	Air inlet connection:	1/4" Universal (BSPP/ NPSM) Female
D	Fluid regulator pilot connection:	Ø4mm [Ø5/32"]
	Maximum dry/wet Lift:	6.6m [21.8 feet]
	Air volume / cycle @ 6.9 Bar/100psi:	0.77L [0.027 SCFM]
	Air flow @ 10 cycles / min 6.9 bar / 100psi:	7.7L/min [0.27 SCFM/min]
	Air flow @ 30 cycles / min 6.9 bar / 100psi:	23.2L/min [0.82 SCFM/min]
	Recommended air quality ISO 8573.1 Class 3.3.2 #:	Dirt: 5 µm
		Water: -20°C@7bar (940ppm)
		Oil: 0.1mg/m ³
		Non Lubricated
	Noise Level @ 10 cycles/min & 7 bar [100 psi]:	68 dB LAeq
E	Earth connection resistance:	<1Ω
	Weight:	2.2 Kg [4.9 lbs]
	Temperature range	0 - 40 °C [32 - 104 °F]

Installation



Prior To Use

Re-torque end cap nuts to 8 Nm prior to use. Check periodically during use

This product should be flushed with a suitable compatible solvent prior to use.

Mount the pump securely and position the pump at a convenient height to allow for maintenance.

Attach flexible hoses to all connections. Connect a regulated air supply to the air connection.

Set the pump speed to a slow cycle rate and prime the pump to remove any air before increasing pressure.

Fluid Regulator Air Pilot

Set the air regulator pressure to give the desired fluid flow.

The pump inlet pressure should nominally be 1 bar (15 PSI) higher.

Pump Earthing

The pump must be earthed at all times. A resistance $<1\Omega$ when measuring with an ohm-meter at the earth point

Earth connection, Binks Part No. 0114-011798

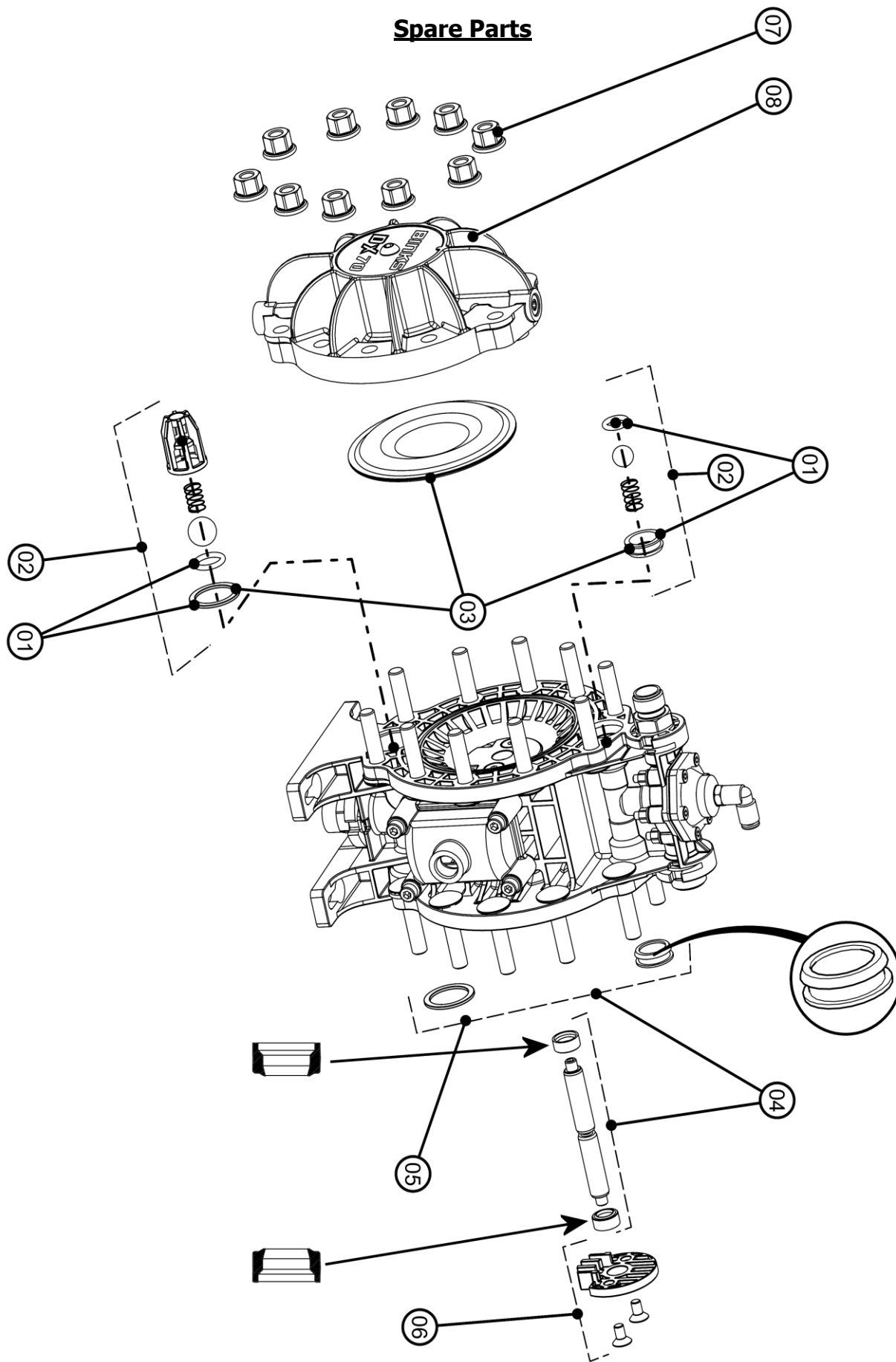
Paint section materials of construction

Item	Material
Pump body	Conductive acetal
End cap	Conductive acetal
Inlet & outlet connectors	Stainless steel
Diaphragms	PTFE
Seals	FKM/PE
Valve ball & spring	Stainless steel
End cap plugs	Stainless steel

Spare parts

Item	Part No.	Description
1	DXK-1	Check valve seal kit x4
2	DXK-2	Check valve kit x4
3	DXK-3	Diaphragm kit x2
4	DXK-4	Shaft & seal kit
5	DXK-5	End cap seal kit x2
6	DXK-6	Caps & screwsx2
7	DXK-7	End cap nuts x10
8	DXK-8	End cap

Spare Parts

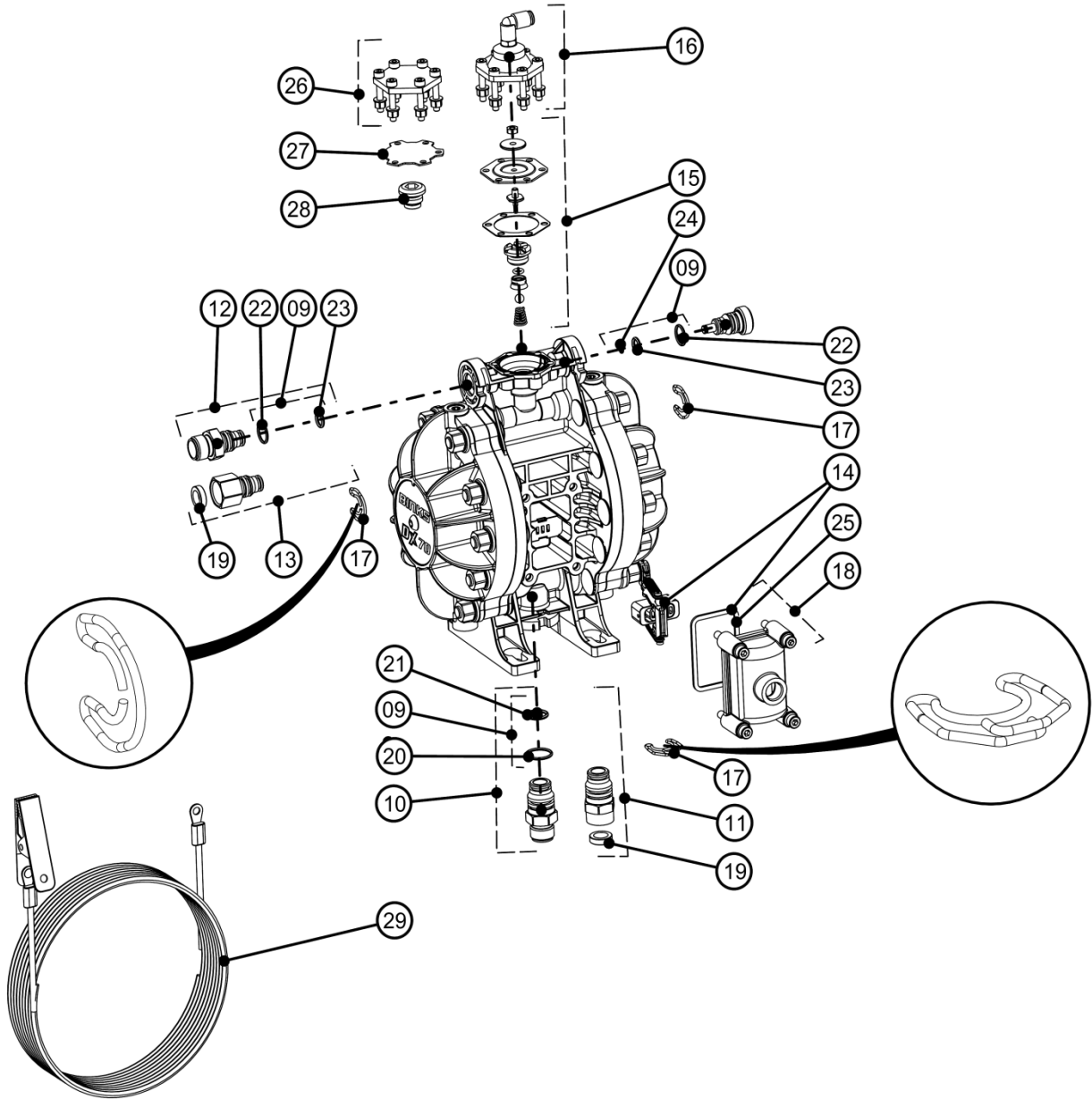


Spare Parts

Item	Part No.	Description
9	DXK-9	Inlet, outlet & plug connector seal kit
10	DXK-10	Male inlet connector kit
11	DXK-11	Female inlet connector kit
12	DXK-12	Male outlet connector kit
13	DXK-13	Female outlet connector kit
14	DXK-14	Air valve kit
15	DXK-15	Fluid regulator kit
16	DXK-16	Regulator cap & screws
17	DXK-17	Inlet (x2) & outlet (x2) clips
18	DXK-18	Cover, seal & screws
19	DXK-19	Female inlet / outlet thread seal x4
20	DXK-20	O-ring x5
21	DXK-21	O-ring x5
22	DXK-22	O-ring x5
23	DXK-23	O-ring x5
24	DXK-24	O-ring x5
25	DXK-25	Gasket x4
26	DXK-26	Blanking plate & screws ‡
27	DXK-27	Blanking gasket x 4 ‡
28	DXK-28	Insert ‡
29	0114-011798	Grounding cable 4m


‡ = parts for non-fluid regulator model

Spare parts



Maintenance

Key - Maintenance symbols

 = Order for dis-assembly (reverse for assembly)


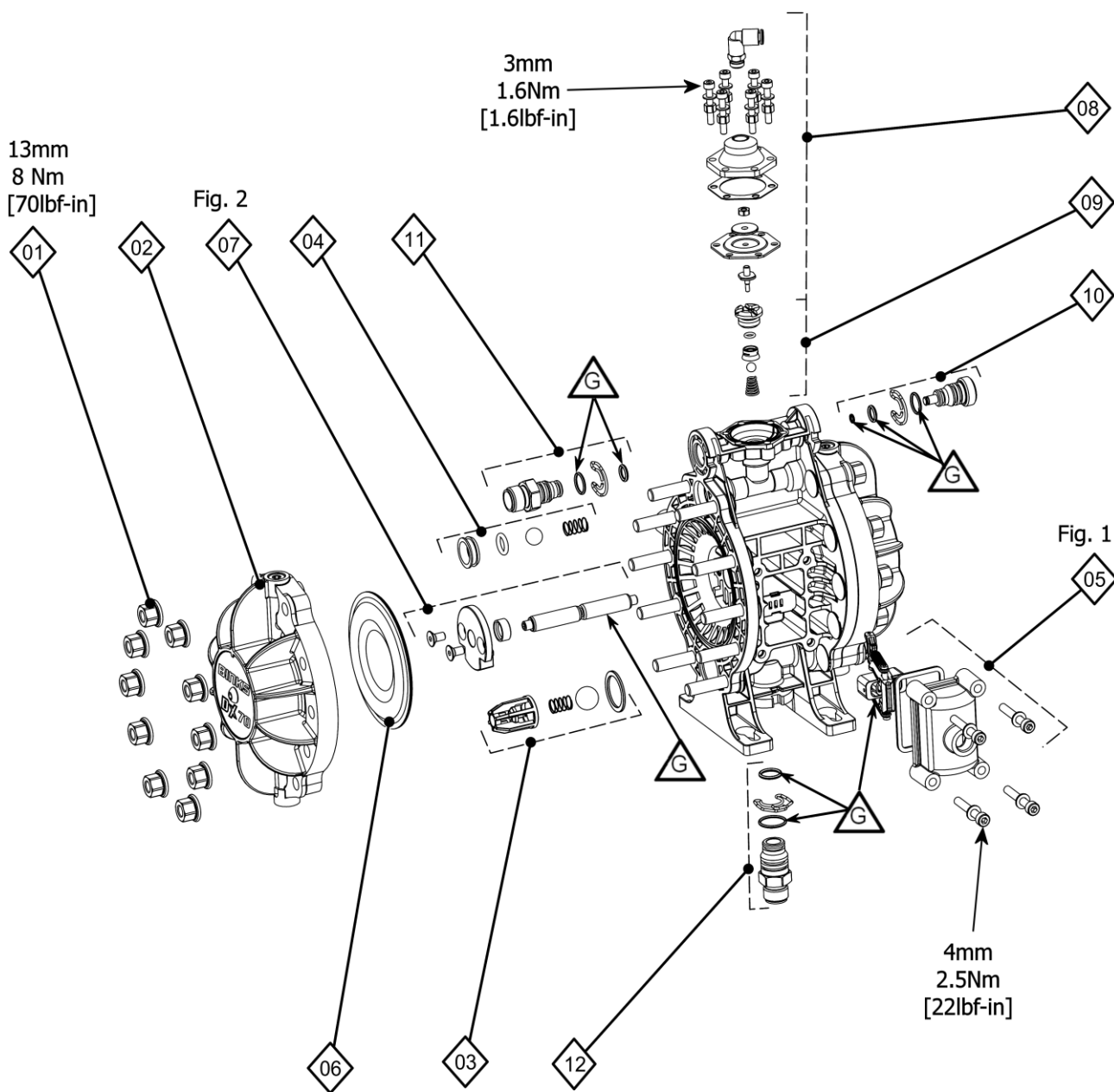
 = Grease (AGMD-010)

Fig. 1 = refer to figure

13MM = Spanner or socket size

8 Nm = Torque required



Maintenance

Figure 1

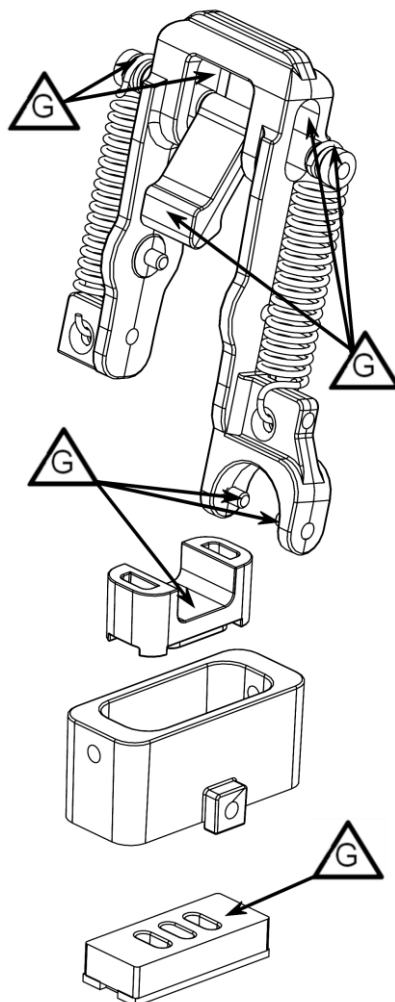
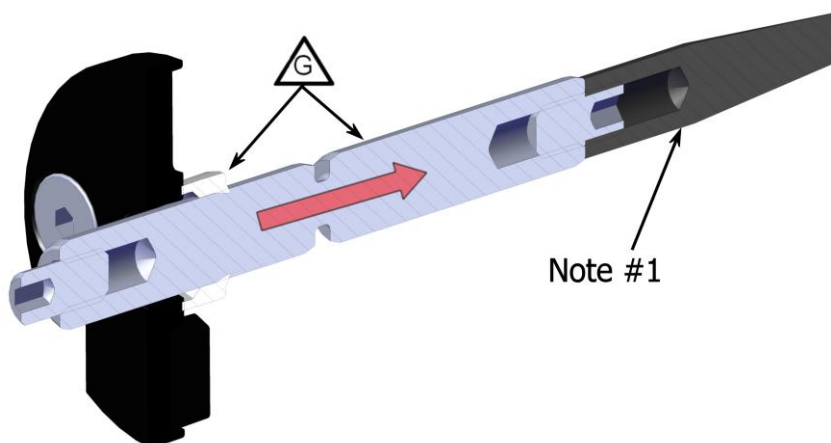


Figure 2



Note #1 - Shaft fitting tool included in spares kit DXK-4
This must be used when re-fitting centre shaft

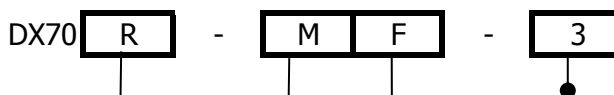
Maintenance schedule

Typical period	Recommended operation
Monthly	<ul style="list-style-type: none"> - Check for fluid or air leaks - Inspect Pump for Correct operation - Check for any excessive mechanical noise - Check for excessive fluid pressure pulsation
6 Months	<ul style="list-style-type: none"> - Perform a pump stop test to ensure correct operation, by ensuring pump stops when the spraygun trigger is closed and there is no fluid flow. If pump does not stop inspect ball check valves, replace as required. - Check fluid regulator adjusts fluid pressure correctly. Replace if faulty
12 Months	<ul style="list-style-type: none"> - Replace Diaphragms - Replace fluid regulator seat and diaphragm - Replace centre shaft and seals - Replace Check valves - Inspect and replace if required:- Air Valve module

Fault finding

Symptom	Possible Cause	Remedy
Pump will not 'Prime'	<ul style="list-style-type: none"> a. Air getting into the suction hose/manifold b. Check valve ball/seal damaged 	<ul style="list-style-type: none"> a. Check hose connections b. Inspect, clean/replace balls/seats
Pump will not run	<ul style="list-style-type: none"> a. No Air or Fluid supply b. Air valve worn or defective 	<ul style="list-style-type: none"> a. Check air and fluid supply ball valves and supply hoses. b. Replace valve module.
Pump runs but has excessive pulsation	<ul style="list-style-type: none"> a. Air getting into fluid line, air supply restricted. b. Fluid check valves damaged c. Worn centre shaft/seals d. Worn air valve 	<ul style="list-style-type: none"> a. Check seals and hose connections. Check air supply b. Remove, clean, and inspect seat, ball, and ball cage. Replace if suspect or worn. c. Replace shaft and seals. d. Replace air valve module

Bare pump selection



Fluid regulator

R	Regulator
N	No regulator

Air regulators For use with

-	No regulator	-
1	1 Regulator	DX70N
2	2 Regulators	DX70N
3	3 Regulators	DX70R

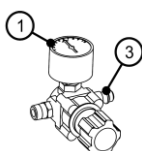
Inlet type

M	Male
F	Female

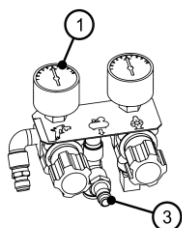
Outlet type

M	Male
F	Female

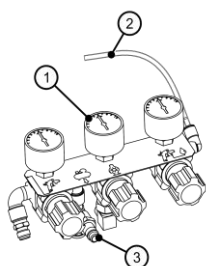
Air regulators



DXA-AC1 1 Regulator
- Pump



DXA-AC2 2 Regulators
- Pump
- Spraygun



DXA-AC3 3 Regulators
- Pump
- Spraygun
- Fluid regulator

Item	Part No.	Description
1	GA-382-P	Gauge
2	S-1817	Ø4mm Hose
3	ZZ-2417	QD stem 1\4" female

WARRANTY POLICY

Binks products are covered by Finishing Brands one year materials and workmanship limited warranty. The use of any parts or accessories, from a source other than Finishing Brands, will void all warranties. For specific warranty information please contact the closest Finishing Brands location listed below.

Finishing Brands reserves the right to modify equipment specifications without prior notice.
DeVilbiss, Ransburg, BGK, and Binks are registered trademarks of Finishing Brands.
© 2013 Finishing Brands. All rights reserved.



Binks is part of Finishing Brands, a global leader in innovative spray finishing technologies. For technical assistance or to locate an authorized distributor, contact one of our international sales and customer support locations below.

USA/Canada

www.binks.com
info@finishingbrands.com
Toll Free Tel: 1-800-992-4657
Toll Free Fax: 1-888-246-5732

Mexico

www.finishingbrands.com.mx
sales@finishingbrands.com.mx
Tel: 011 52 55 5321 2300
Fax: 011 52 55 5310 4790

Brazil

www.devilbiss.com.br
sales@devilbiss.com.br
Tel: +55 11 5641 2776
Fax: +55 11 5641 1256

United Kingdom

www.finishingbrands.eu
info@finishingbrands.eu
Tel: +44 (0)1202 571 111
Fax: +44 (0)1202 573 488

France

www.finishingbrands.eu
info@finishingbrands.eu
Tel: +33(0)475 75 27 00
Fax: +33(0)475 75 27 59

Germany

www.finishingbrands.eu
info@finishingbrands.eu
Tel: +49 (0) 6074 403 1
Fax: +49 (0) 6074 403 281

China

www.finishingbrands.com.cn
mkt@finishingbrands.com.cn
Tel: +8621-3373 0108
Fax: +8621-3373 0308

Japan

www.ransburg.co.jp
binks-devilbiss@ransburg.co.jp
Tel: 081 45 785 6421
Fax: 081 45 785 6517

Australia

www.finishingbrands.com.au
sales@finishingbrands.com.au
Tel: +61 (0) 2 8525 7555
Fax: +61 (0) 2 8525 7575

