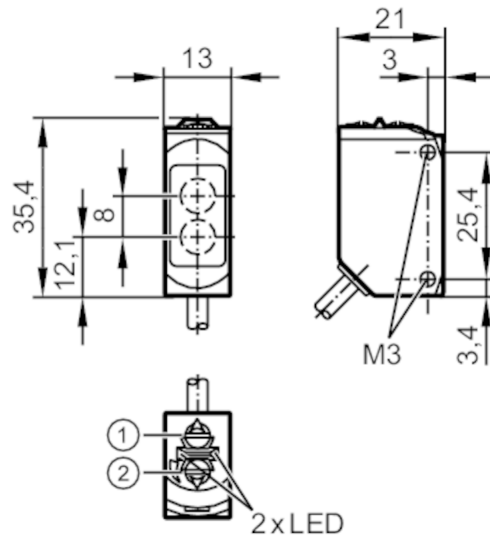


O6H200



Diffuse reflection sensors with background suppression

O6H-FPKG



- 1: output function switch
 - 2: potentiometer sensitivity
- Receiver in upper lens
transmitter in lower lens



Product characteristics	
Type of light	red light
Housing	rectangular
Application	
System	Background suppression
Function principle	Diffuse reflection sensor
Electrical data	
Operating voltage [V]	10...30 DC
Current consumption [mA]	22; ((24 V))
Protection class	III
Reverse polarity protection	yes
Type of light	red light
Wave length [nm]	633
Outputs	
Electrical design	PNP
Output function	light-on/dark-on mode; (selectable)
Max. voltage drop switching output DC [V]	2.5
Permanent current rating of switching output DC [mA]	100
Switching frequency DC [Hz]	1000
Short-circuit protection	yes
Type of short-circuit protection	yes (non-latching)

O6H200



Diffuse reflection sensors with background suppression

O6H-FPKG

Monitoring range		
Range	[mm]	2...200; (white paper 200 x 200 mm)
Range on white object (90 % remission)	[mm]	2...200
Range on grey object (18 % remission)	[mm]	4...200
Range on black object (6 % remission)	[mm]	8...200
Range adjustable		yes
Max. light spot diameter	[mm]	8
Light spot dimensions refer to		at maximum range
Background suppression available		yes
Operating conditions		
Ambient temperature	[°C]	-25...60
Protection		IP 65; IP 67
Tests / approvals		
EMC		EN 60947-5-2
MTTF	[years]	683
UL approval		UL approval number E008
Mechanical data		
Weight	[g]	59.8
Housing		rectangular
Dimensions	[mm]	35.4 x 13 x 21
Material		housing: ABS; PPSU; sealing: EPDM
Lens material		PMMA
Lens alignment		Side sensing
Tightening torque	[Nm]	0.5
Displays / operating elements		
Display	Switching status	1 x LED, yellow
	Power	1 x LED, green
Remarks		
Remarks		cULus - Class 2 source required
Pack quantity		1 pcs.

O6H200



Diffuse reflection sensors with background suppression

O6H-FPKG

Electrical connection

Cable: 2 m, PUR; 3 x 0.25 mm²

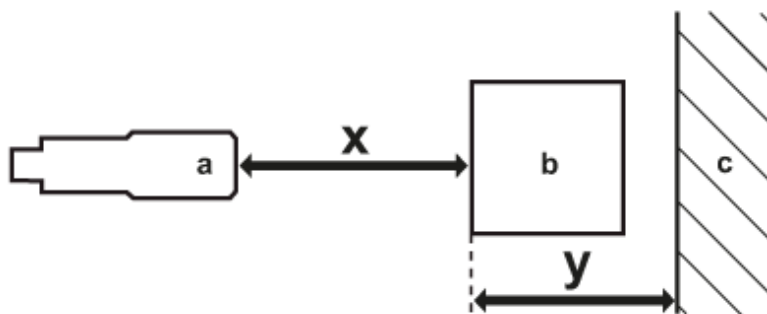
Connection



Core colors :

BN = brown
BK = black
BU = blue

Diagrams and graphs



a: sensor
b: object
c: background
x: distance sensor/object [mm]
y: min. distance object/background [mm]



Diffuse reflection sensors with background suppression

O6H-FPKG

Background suppression chart



x: distance sensor/object [mm]

y: min. distance object/background [mm]

1 = object black (6 % remission) , background (white 90 % remission)

2 = object grey (18 % remission) , background (white 90 % remission)

3 = object white (90 % remission) , background (white 90 % remission)