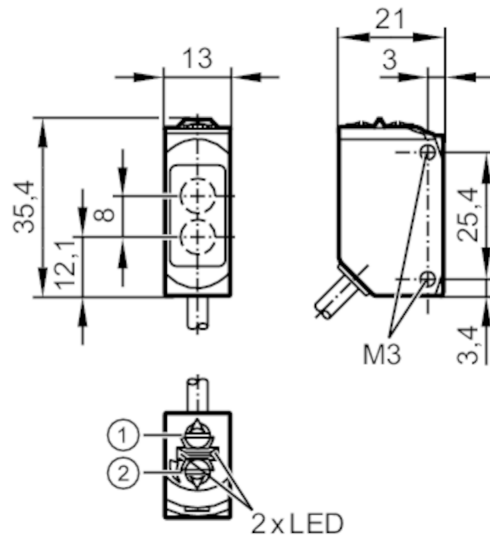


# O6T205



## Diffuse reflection sensor

O6T-FNKG/0,30m/US



- 1: output function switch
  - 2: potentiometer sensitivity
- Receiver in upper lens  
transmitter in lower lens



### Product characteristics

Type of light	red light
Housing	rectangular

### Application

Function principle	Diffuse reflection sensor
--------------------	---------------------------

### Electrical data

Operating voltage	[V]	10...30 DC
Current consumption	[mA]	16; ((24 V))
Protection class		III
Reverse polarity protection		yes
Type of light		red light
Wave length	[nm]	633

### Outputs


Electrical design		NPN
Output function		light-on/dark-on mode; (selectable)
Max. voltage drop switching output DC	[V]	2.5
Permanent current rating of switching output DC	[mA]	100
Switching frequency DC	[Hz]	1000
Short-circuit protection		yes
Type of short-circuit protection		yes (non-latching)

# O6T205



## Diffuse reflection sensor

O6T-FNKG/0,30m/US

Monitoring range		
Range	[mm]	5...500; (white paper 200 x 200 mm 90 % remission)
Range adjustable		yes
Max. light spot diameter	[mm]	15
Light spot dimensions refer to		at maximum range
Monitoring range final value	[mm]	100...500
Operating conditions		
Ambient temperature	[°C]	-25...60
Protection		IP 65; IP 67
Tests / approvals		
EMC		EN 60947-5-2
MTTF	[years]	897
UL approval		UL approval number E012
Mechanical data		
Weight	[g]	33
Housing		rectangular
Dimensions	[mm]	35.4 x 13 x 21
Material		housing: ABS; PPSU; sealing: EPDM
Lens material		PMMA
Lens alignment		Side sensing
Tightening torque	[Nm]	0.5
Displays / operating elements		
Display	Switching status	1 x LED, yellow
	Power	1 x LED, green
Remarks		
Remarks		cULus - Class 2 source required
Pack quantity		1 pcs.
Electrical connection		
Cable: 0.3 m, PUR; 3 x 0.25 mm <sup>2</sup>		
Connector: 1 x M12; coding: A		
		

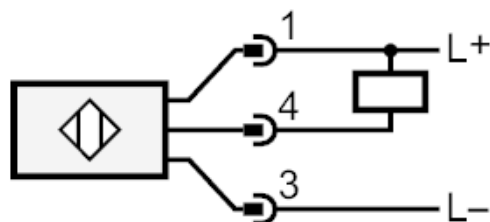
# O6T205



## Diffuse reflection sensor

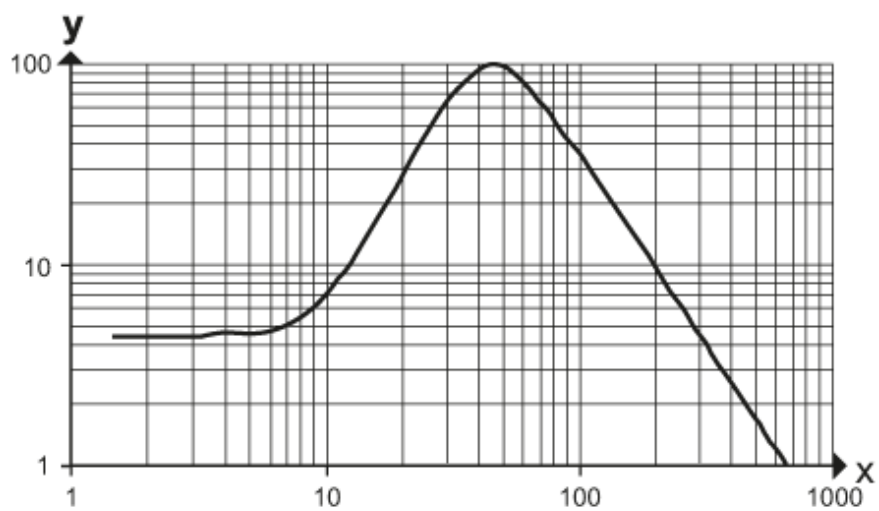
O6T-FNKG/0,30m/US

### Connection



### Diagrams and graphs

excess gain graph



x: distance [mm]

y: excess gain factor