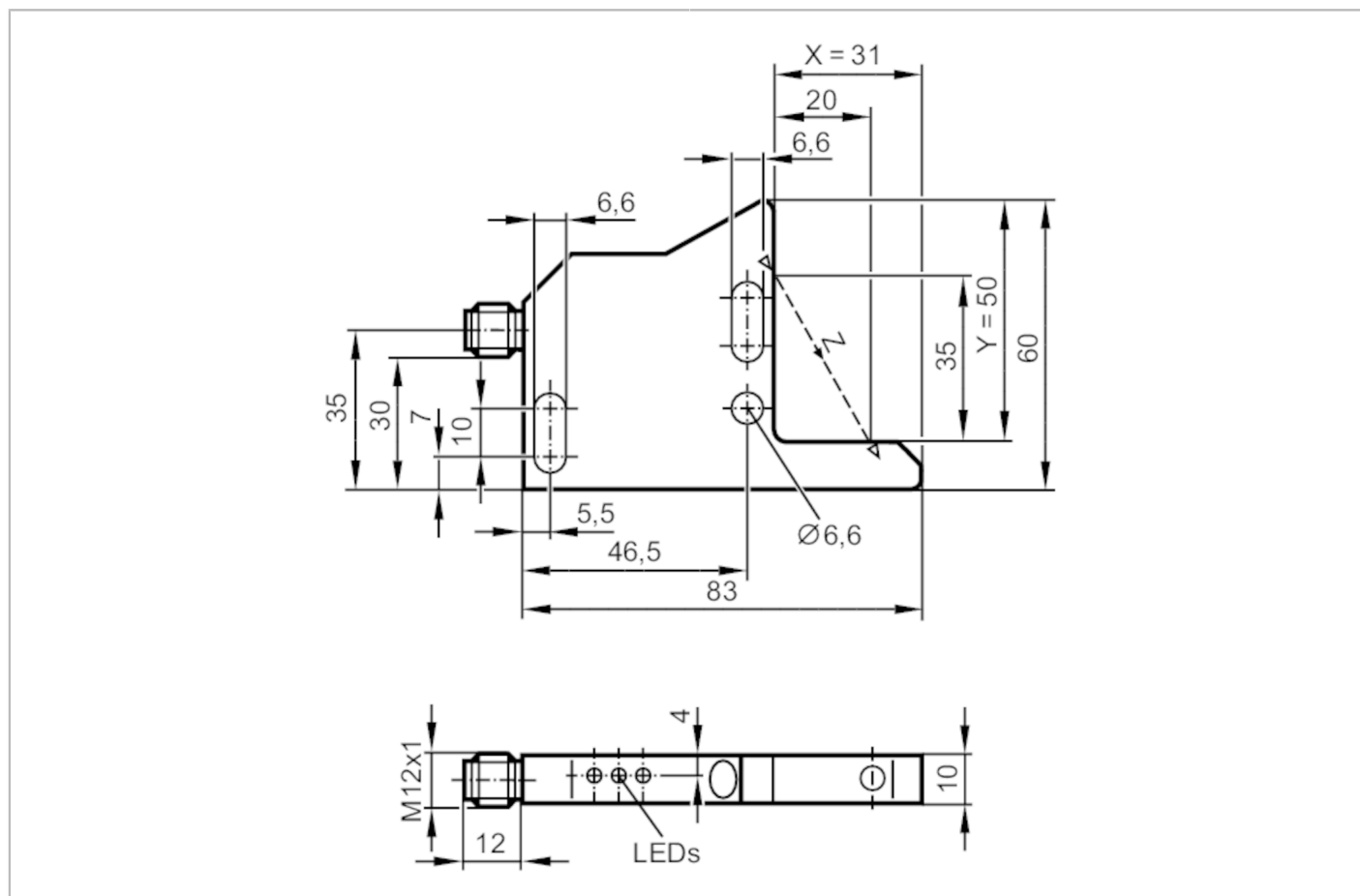


# OPL205



## Photoelectric angle sensor

OPL-DPKG/US



| Product characteristics     |   |
|-----------------------------|---|
| Type of light               | Infrared light                                |
| Application                 |   |
| System                      | Function check output                         |
| Electrical data             |   |
| Operating voltage [V]       | 10...35 DC; (cULus - Class 2 source required) |
| Current consumption [mA]    | < 45  |
| Protection class            | III   |
| Reverse polarity protection | yes   |
| Type of light               | Infrared light                                |
| Wave length [nm]            | 870   |

# OPL205



## Photoelectric angle sensor

OPL-DPKG/US

| Outputs  |                    |
|--|--------------------|
| Electrical design                                    | PNP                |
| Output function                                      | dark-on mode       |
| Max. voltage drop switching output DC [V]            | 2                  |
| Function check output                                | yes                |
| Max. current load for function check output [mA]     | 200                |
| Permanent current rating of switching output DC [mA] | 200                |
| Switching frequency DC [Hz]                          | 200                |
| Short-circuit protection                             | yes                |
| Type of short-circuit protection                     | yes (non-latching) |
| Overload protection                                  | yes                |

| Operating conditions     |          |
|--------------------------|----------|
| Ambient temperature [°C] | -10...60 |
| Protection               | IP 67    |

| Tests / approvals |              |
|-------------------|--------------|
| EMC               | EN 60947-5-2 |
| MTTF [years]      | 951          |

| Mechanical data     |                                    |
|---------------------|------------------------------------|
| Weight [g]          | 134.5                              |
| Dimensions [mm]     | 60 x 10 x 83                       |
| Side length X [mm]  | 31                                 |
| Side length Y [mm]  | 50                                 |
| Sensor width Z [mm] | 40.31                              |
| Material            | housing: diecast zinc; lens: glass |

| Displays / operating elements |                  |                 |
|-------------------------------|------------------|-----------------|
| Display                       | Switching status | 1 x LED, yellow |
|                               | Power            | 1 x LED, green  |
|                               | Function         | 1 x LED, yellow |

| Remarks       |        |
|---------------|--------|
| Pack quantity | 1 pcs. |

### Electrical connection

Connector: 1 x M12; coding: A



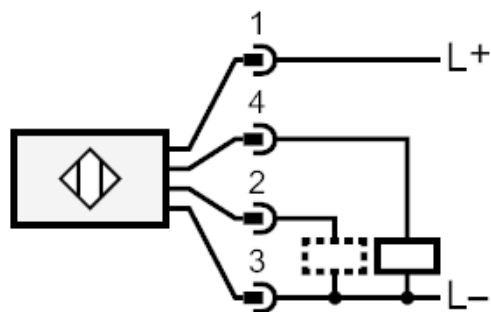
# OPL205



## Photoelectric angle sensor

OPL-DPKG/US

### Connection



2

Function check output