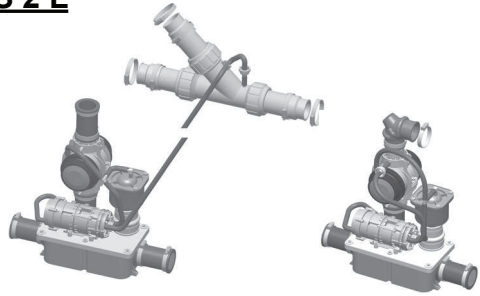


2. VACUUM INTERFACE VALVES

2.1 VACUUM INTERFACE UNITS 2 L

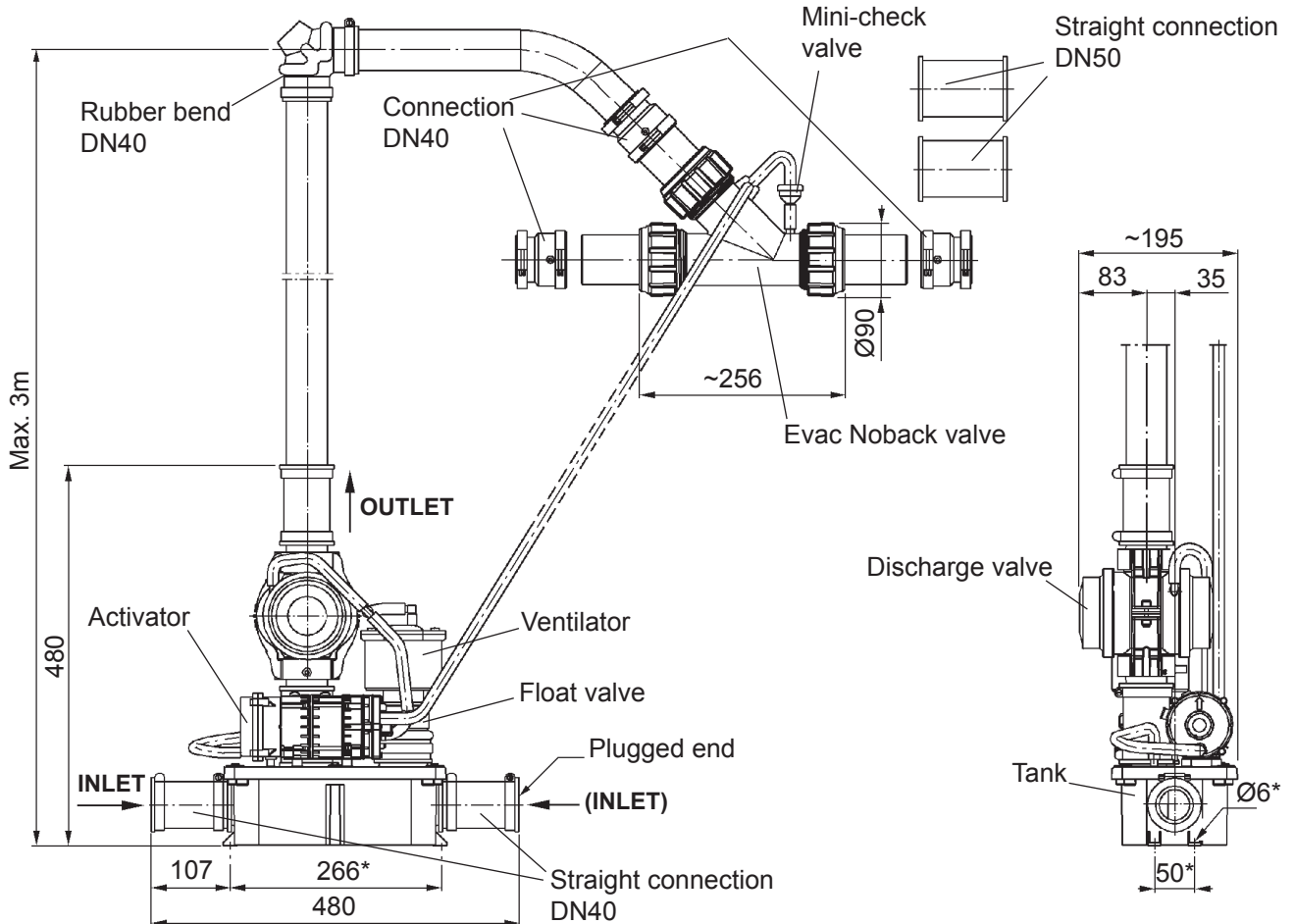


VACUUM INTERFACE UNIT 2 L, CONNECTION UPWARDS

VACUUM INTERFACE UNIT 2 L, CONNECTION DOWNWARDS / SIDEWARDS

VACUUM INTERFACE VALVE

6543521 VACUUM INTERFACE UNIT 2 L, CONNECTION UPWARDS



* Fixing points on floor

Materials

- Tank: PP
- Float valve: Rubber
- Discharge valve: Polyacetal
- Activator: Rigid PVC and polyasetal
- Ventilator: Acetal / PVC
- Mini-check valve: Actetal
- Flexible tubing: EPDM
- Connections: EPDM
- EvacNoback valve body: PP

Operating data

- Operating vacuum: -30 ... -60 kPa
- Max. lifting height: 3 m
- Minimum operating vacuum: -25 kPa
- Nominal activating head: 80 mm
- Activating volume: 2.0 l

Capacity

- 50 kPa: 2.00 l/s (instantaneous value)
- 30 kPa: 1.20 l/s (instantaneous value)

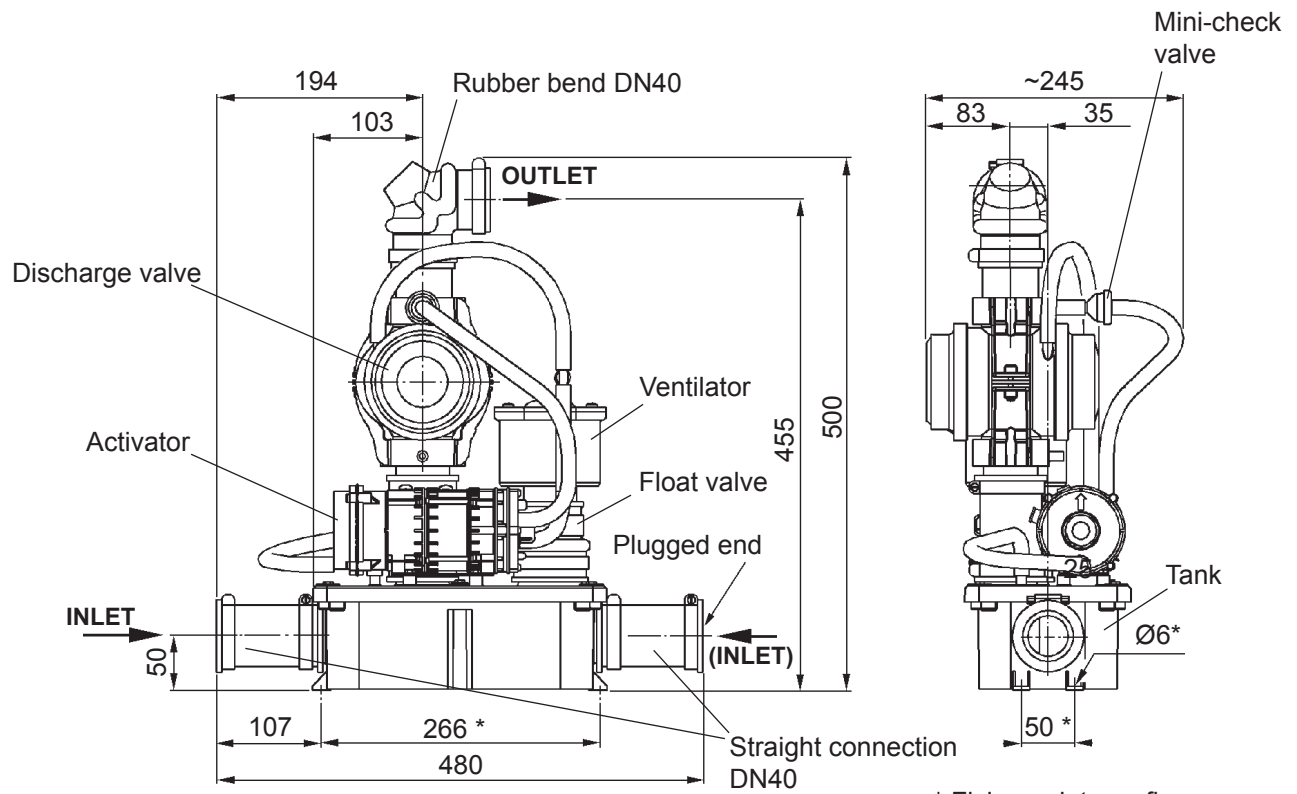
Connections

- Outlet / vacuum line: Rubber bend connection to pipe DN40/DN50
- Inlet / gravity line: Straght connection to pipe DN40

Shipping data Net weight: 5.5 kg

VACUUM INTERFACE VALVE

6543469 VACUUM INTERFACE UNIT 2 L, CONNECTION DOWNWARDS / SIDEWARDS



Materials	Tank: PP Float valve: Rubber Discharge valve: Polyacetal Activator: Rigid PVC and polyasetal Ventilator: Acetal / PVC Mini-check valve: Actetal Flexible tubing: EPDM Connections: EPDM
------------------	--

Operating data	Operating vacuum: -30 ... -60 kPa Minimum operating vacuum: -25 kPa Nominal activating head: 80 mm Activating volume: 2.0 l
-----------------------	--

Capacity	-50 kPa: 2.00 l/s (instantaneous value) -30 kPa: 1.20 l/s (instantaneous value)
-----------------	--

Connections	Outlet / vacuum line: Rubber bend connection to pipe DN40 Inlet / gravity line: Straght connection to pipe DN40
--------------------	--

Shipping data	Net weight: 3.5 kg
----------------------	--------------------

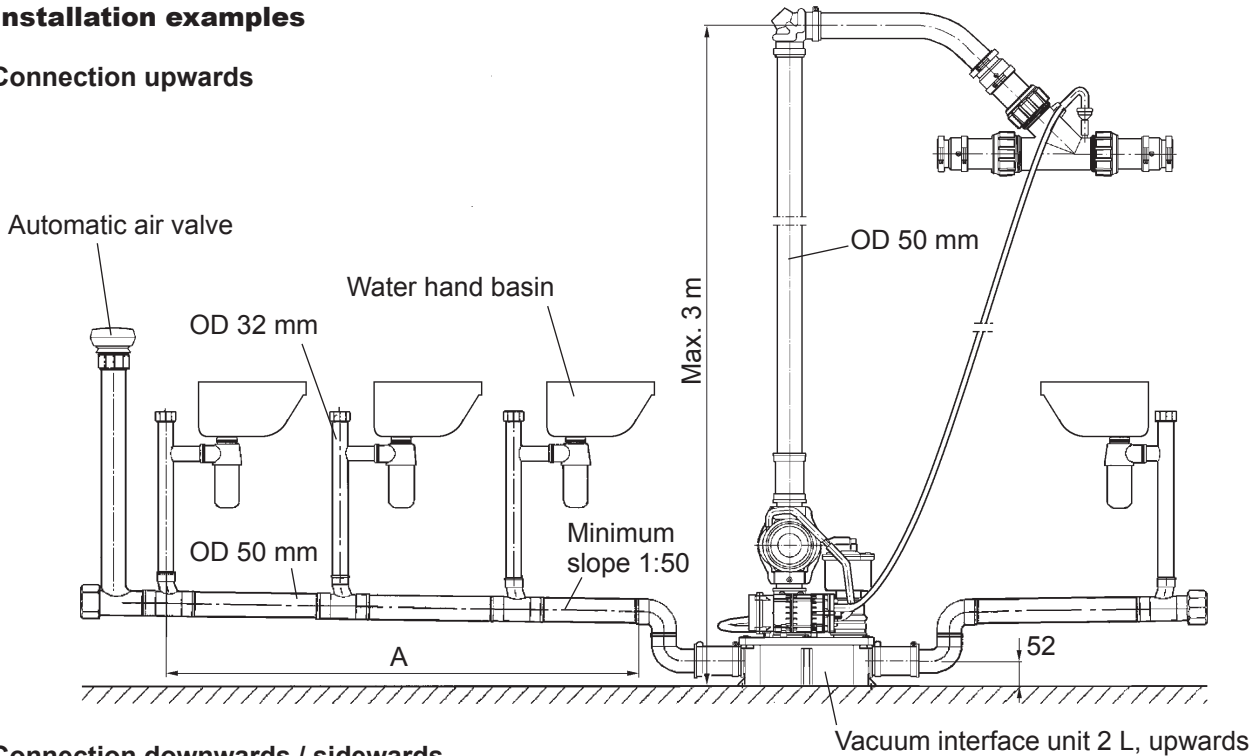
VACUUM INTERFACE VALVES

6543521 VACUUM INTERFACE UNIT 2 L, CONNECTION UPWARDS

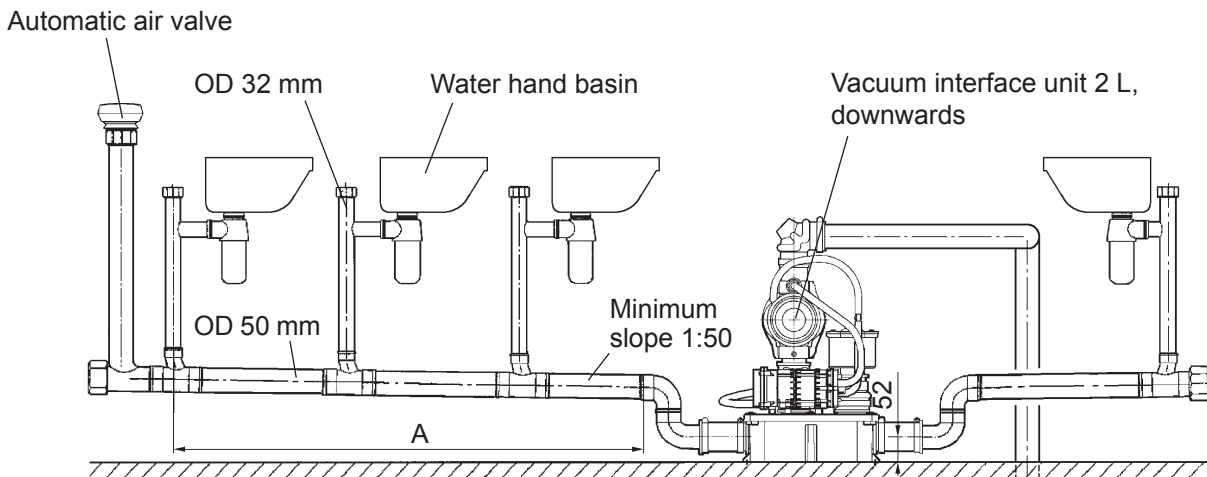
6543469 VACUUM INTERFACE UNIT 2 L, CONNECTION DOWNWARDS / SIDEWARDS

Installation examples

Connection upwards



Connection downwards / sideways



Pipe sizes

Gravity connection	Water trap unventilated	Water trap with automatic air valve
Maximum length A	3 m	5 m
Maximum size of vertical piping	OD 32 mm	OD 32 mm
Minimum size of horizontal piping	OD 50 mm	OD 50 mm

! NOTE: The maximum flow to the vacuum interface unit from all appliances must not exceed:

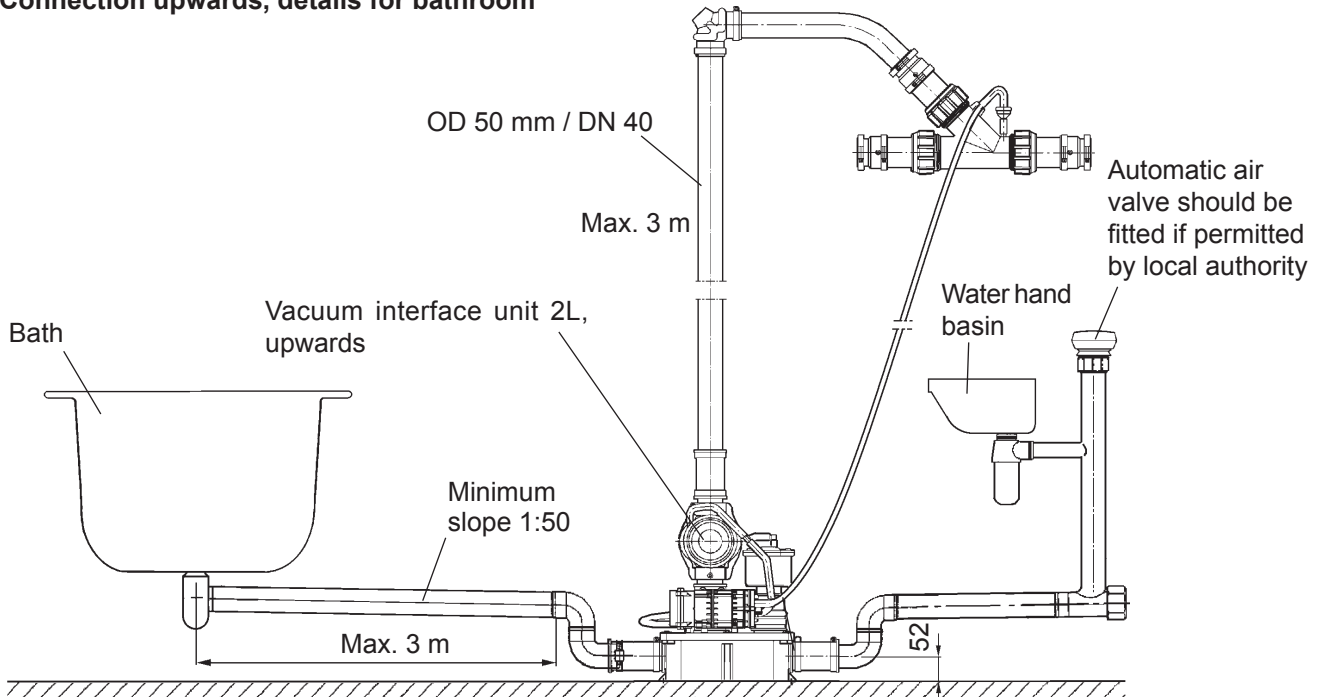
- 2.0 litres/second (not tested) at -50 kPa (3.0 m lift)
- 1.2 litres/second (not tested) at -30 kPa (3.0 m lift)

VACUUM INTERFACE VALVES

6543521 VACUUM INTERFACE UNIT 2 L, CONNECTION UPWARDS

6543469 VACUUM INTERFACE UNIT 2 L, CONNECTION DOWNWARDS / SIDEWARDS

Connection upwards, details for bathroom

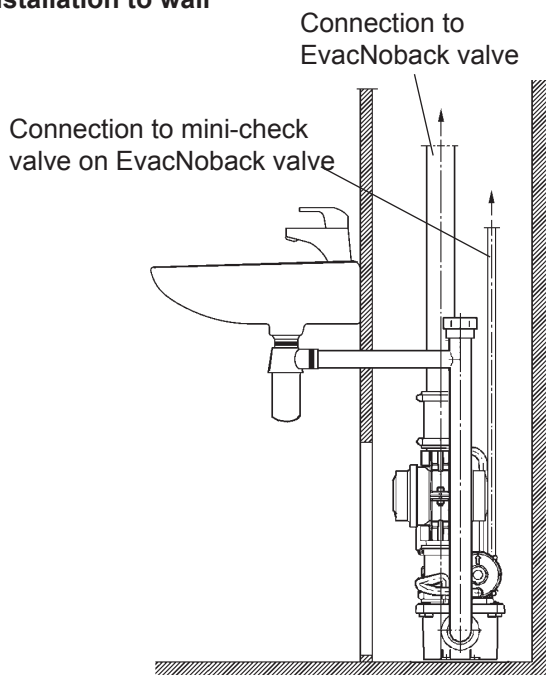


! NOTE: The maximum flow to the vacuum interface unit from all appliances must not exceed:

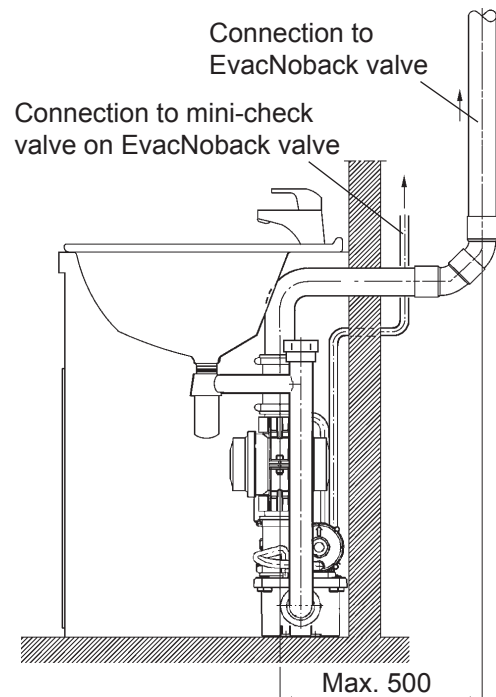
- 2.0 litres/second (not tested) at -50 kPa (3.0 m lift)
- 1.2 litres/second (not tested) at -30 kPa (3.0 m lift)

Connection upwards, wash basin installation

Installation to wall

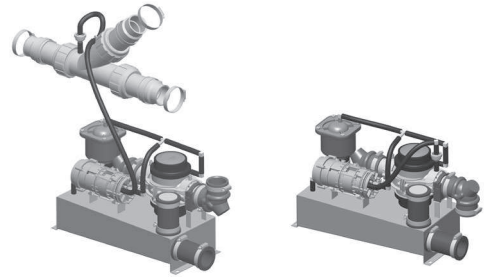


Installation to wash basin cabin



2. VACUUM INTERFACE VALVES

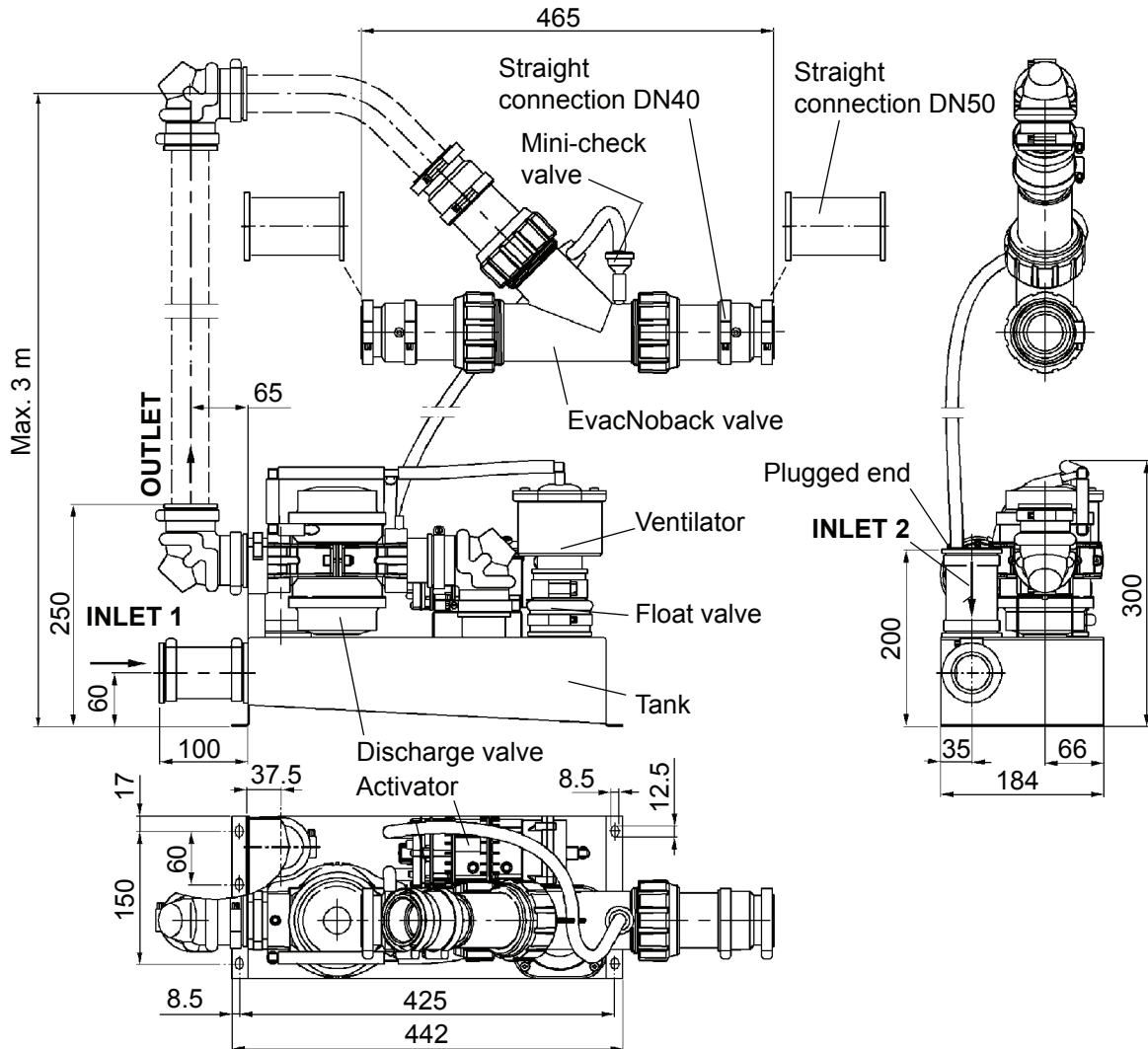
2.2 VACUUM INTERFACE UNITS 5 L



VACUUM INTERFACE UNIT 5 L, CONNECTION UPWARDS

VACUUM INTERFACE UNIT 5 L, CONNECTION DOWNWARDS / SIDEWARDS

VACUUM INTERFACE UNITS

6545872 VACUUM INTERFACE UNIT 5L, CONNECTION UPWARDS

Materials

Tank: Stainless steel EN 1.4404
 Float valve: rubber
 Discharge valve: Polyacetal
 Activator: Rigid PVC and polyacetal
 Ventilator: Acetal/PVC
 Mini-check valve: Acetal
 Flexible tubing: EPDM hose $\varnothing 14 \times 7$ mm
 EvacNoback valve body: PP

Operating data

Operating vacuum: -30... -60 kPa
 Minimum operating vacuum: -25 kPa
 Normal activating head: 75 mm
 Activating volume: 5.4 L

Capacity:

-50 kPa: 2.2 L/s
 -30 kPa: 1.2 L/s

Connections:

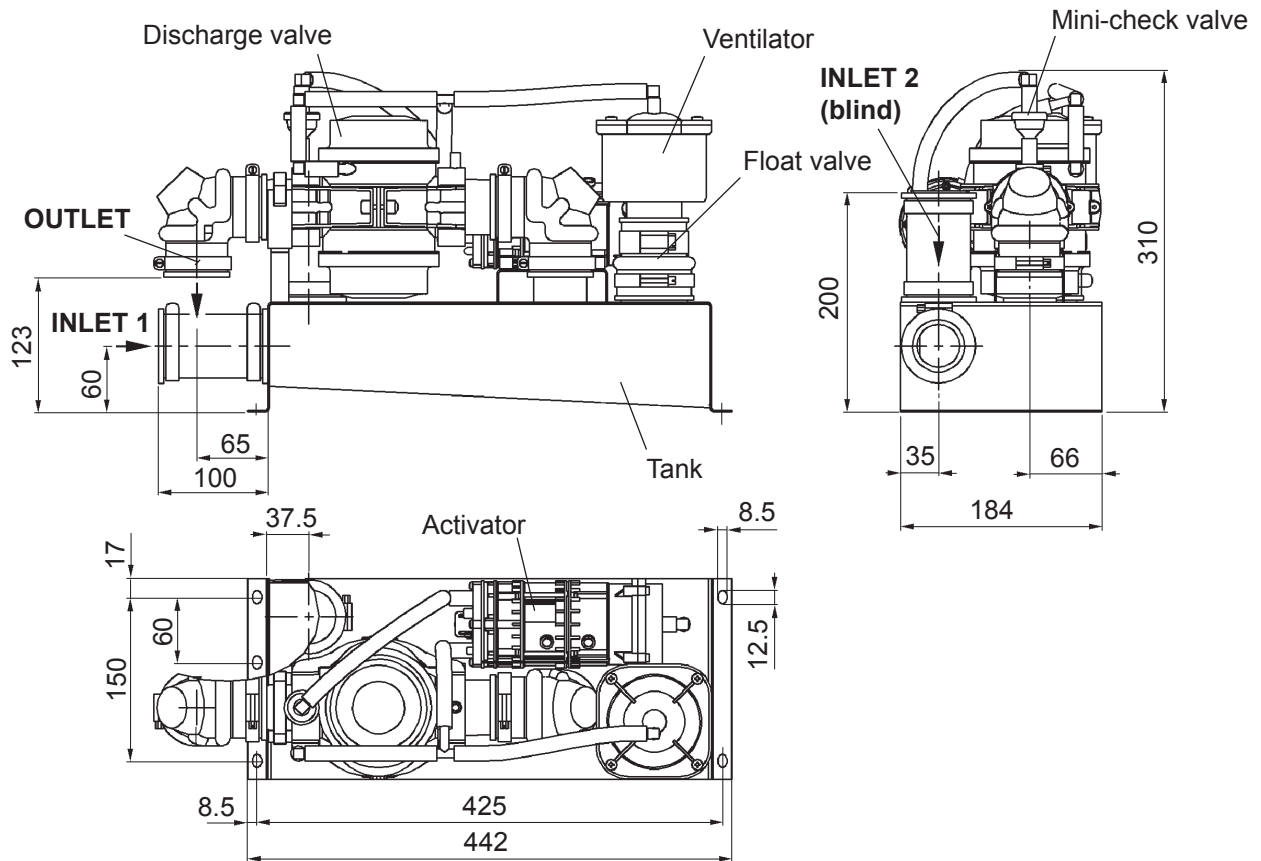
Outlet / vacuum line: Rubber sleeve connections to pipe DN40 and DN50 (EvacNoback valve)
 Inlet / gravity line: Rubber sleeve connection to pipe DN40

Shipping data:

Net weight: 7 kg
 Shipping weight: 8 kg
 shipping volume: 0.08 m³

VACUUM INTERFACE VALVE

6545873 VACUUM INTERFACE UNIT 5 L, CONNECTION DOWNWARDS



Materials

- Tank: Stainless steel EN 1.4404
- Float valve: Rubber
- Discharge valve: Polyacetal
- Activator: Rigid PVC and polyacetal
- Ventilator: Acetal
- Mini-check valve: Acetal
- Flexible tubing: EPDM hose $\varnothing 14 \times 7$ mm

Operating data

- Operating vacuum: -30... - 60 kPa
- Minimum operating vacuum: -25 kPa
- Normal activating head: 75 mm
- Activating volume: 5.4 L

Capacity:

- 50 kPa: 2.2 L/s
- 30 kPa: 1.2 L/s

Connections:

- Outlet / vacuum line: Rubber sleeve connection to pipe DN40
- Inlet / gravity line: Rubber sleeve connection to pipe DN40

Shipping data:

- Net weight: 6 kg
- Shipping weight: 7 kg
- shipping volume: 0.08 m³

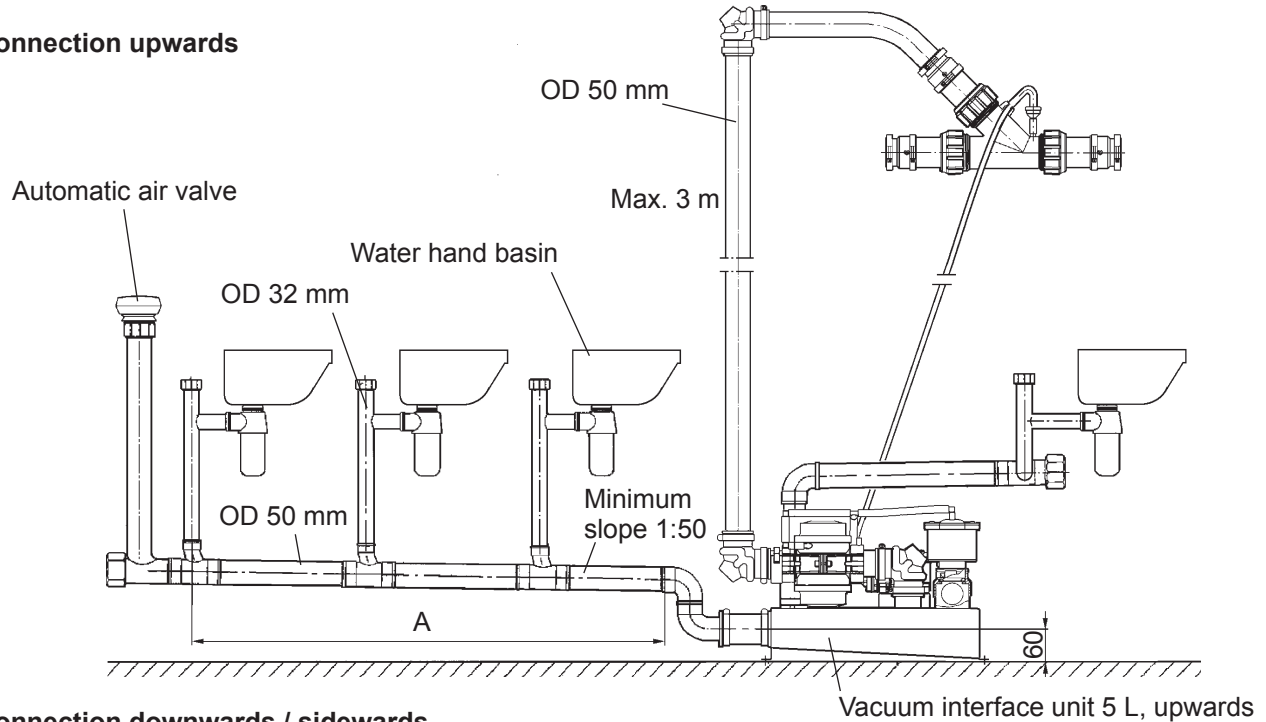
VACUUM INTERFACE VALVES

6545872 VACUUM INTERFACE UNIT 5 L, CONNECTION UPWARDS

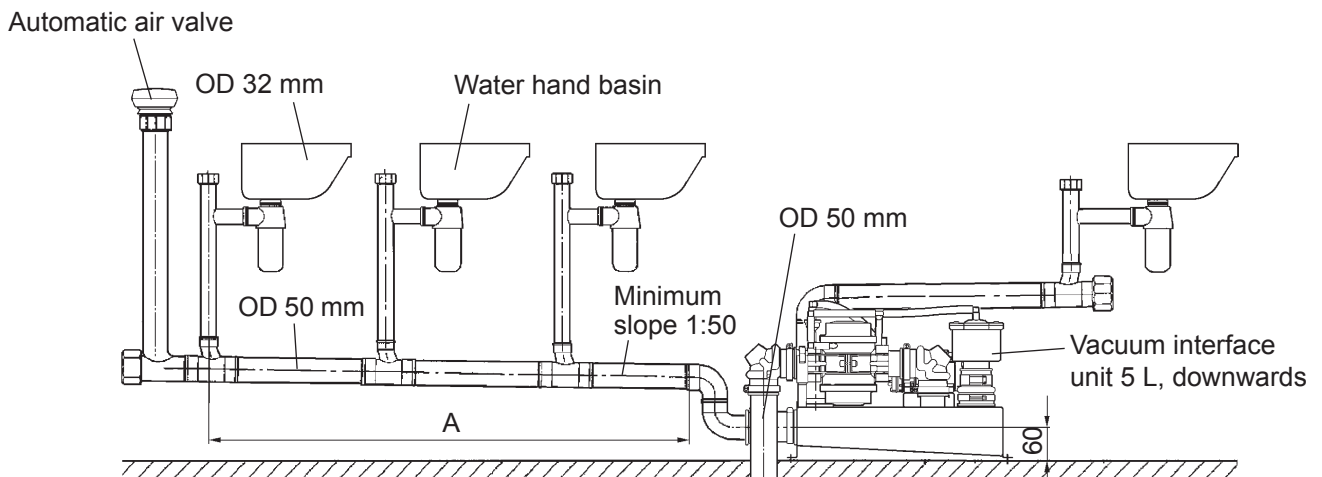
6545873 VACUUM INTERFACE UNIT 5 L, CONNECTION DOWNWARDS

Installation examples

Connection upwards



Connection downwards / sideways



Pipe sizes

Gravity connection	Water trap unventilated	Water trap with automatic air valve
Maximum length A	3 m	5 m
Maximum size of vertical piping	OD 32 mm	OD 32 mm
Minimum size of horizontal piping	OD 50 mm	OD 50 mm

! NOTE: The maximum flow to the vacuum interface unit from all appliances must not exceed:

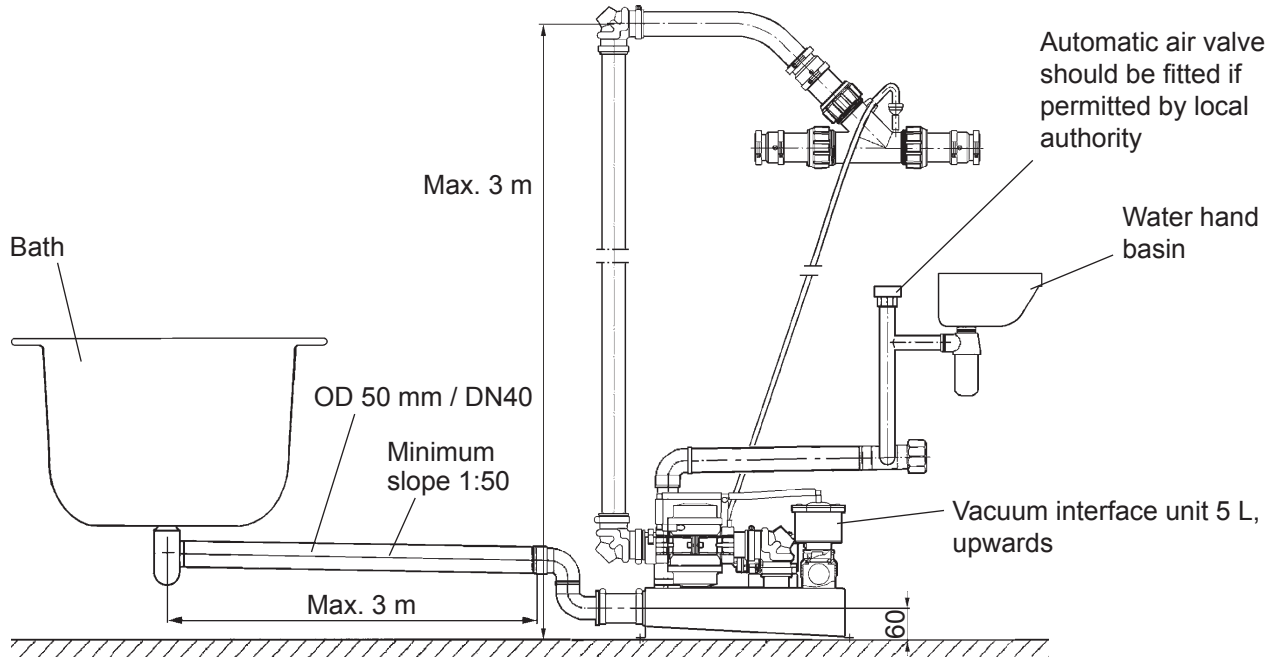
- 2.0 litres/second (not tested) at -50 kPa (3.0 m lift)
- 1.2 litres/second (not tested) at -30 kPa (3.0 m lift)

VACUUM INTERFACE VALVES

6545872 VACUUM INTERFACE UNIT 5 L, CONNECTION UPWARDS

6545873 VACUUM INTERFACE UNIT 5 L, CONNECTION DOWNWARDS

Connection upwards, details for bathroom

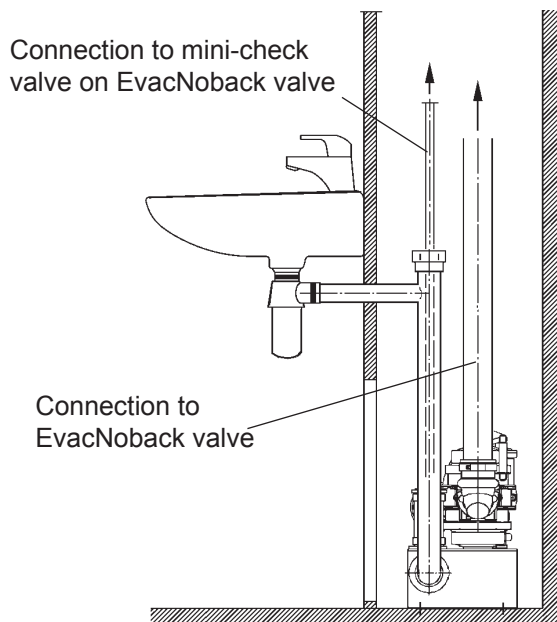


! NOTE: The maximum flow to the vacuum interface unit from all appliances must not exceed:

- 2.0 litres/second (not tested) at -50 kPa (3.0 m lift)
- 1.2 litres/second (not tested) at -30 kPa (3.0 m lift)

Connection upwards, wash basin installation

Installation on to wall



Installation to wash basin cabin

