

▶ Smart compact sensor for easy use



KROHNE
INOR

▶ OPTITEMP TRA-C30 – Compact sensor for general purpose

OPTITEMP TRA-C30 is a compact sensor for measuring gases, liquids and solid matter, in general applications such as: machine builders, OEM manufacturers, plant engineering. The small form factor and robust design makes it suitable for any application where space is a challenge.

With integrated transmitter preconfigured to fixed temperature ranges, the sensors are simple to order, easy to install and maintain. OPTITEMP TRA-C30 is a highly accurate sensor featuring great reliability over the long term, and excellent measuring stability.



OPTITEMP TRA-C30

Technical details (standard selection):

Material	1.4404 / 316L
Output connection	M12
Enclosure Class	IP67
Measuring element	Pt100 sensor, class A acc. to IEC 60751
Temperature range	0... +100°C / -50... +150°C
Ambient temperature	Operating: -40... +85°C
Response time	Water 0.4 m/s: $t_{0.5} = 3.2$ s $t_{0.9} = 9.0$ s
Process connection	G1/2" thread
Built-in transmitter	OPTITEMP OEM201
Output	4...20 mA, temperature linear
Sensor break	Upscale (≥ 21.0 mA)
Sensor short-circuit	Downscale (≤ 3.6 mA)
Vibration	4g acc. to IEC 60068
Shock	Acc. to IEC 60068
EMC	Acc. to EN/IEC 61 326-1*
Transmitter accuracy	$\pm 0.15^\circ\text{C}$ or $\pm 0.15\%$ of measuring span
Long-term stability	$\pm 0.1\%$ of span per year
Galvanic isolation	No
Power supply	7.5 to 32 VDC
Permissible load	700 Ω @ 24 VDC

* Typical EMI immunity 0.15% of the measuring span, for some $f_q > 1\%$

Ordering information:

Product number	Insertion Length (L1)	Extension tube (L2)	Configuration	Built-in Transmitter
4002908901	50	56	-50 ... +200°C	Without
4002908902	100	56	-50 ... +200°C	Without
4002908903	50	56	0 ... +100°C	With
4002908904	50	72	-50 ... +150°C	With
4002908905	100	56	0 ... +100°C	With
4002908906	100	72	-50 ... +150°C	With
4002908907	50	56	Configurable*2	With
4002908908	100	56	Configurable*2	With

*2 Configurable floating zeropoint -50...+50°C. Minimum span 50°C.

Other options are available on request. Please consult KROHNE INOR for further options.

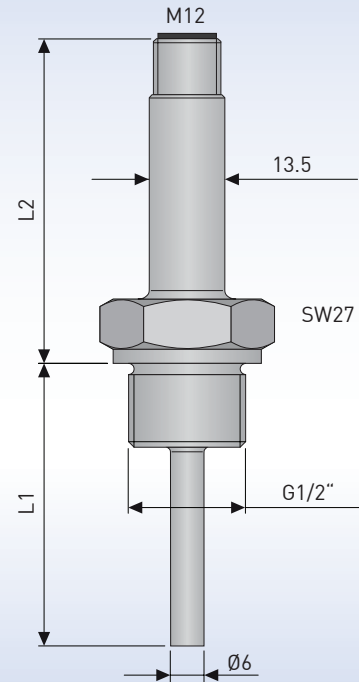
Typical industries:

- General applications
- Machine builders
- OEM
- Plant engineering

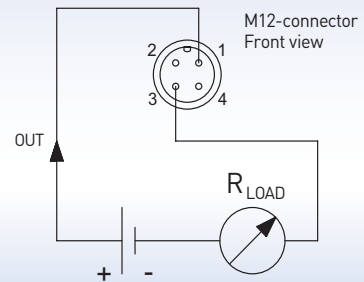
Contact

Inor Process AB
P.O. Box 9125
SE-200 39 Malmö
Sweden
Tel.: +46 40 312 560
Fax: +46 40 312 570
sales.krohneinor@krohne.com

Dimensions in mm:



Electrical connection with transmitter



Electrical connection without transmitter

