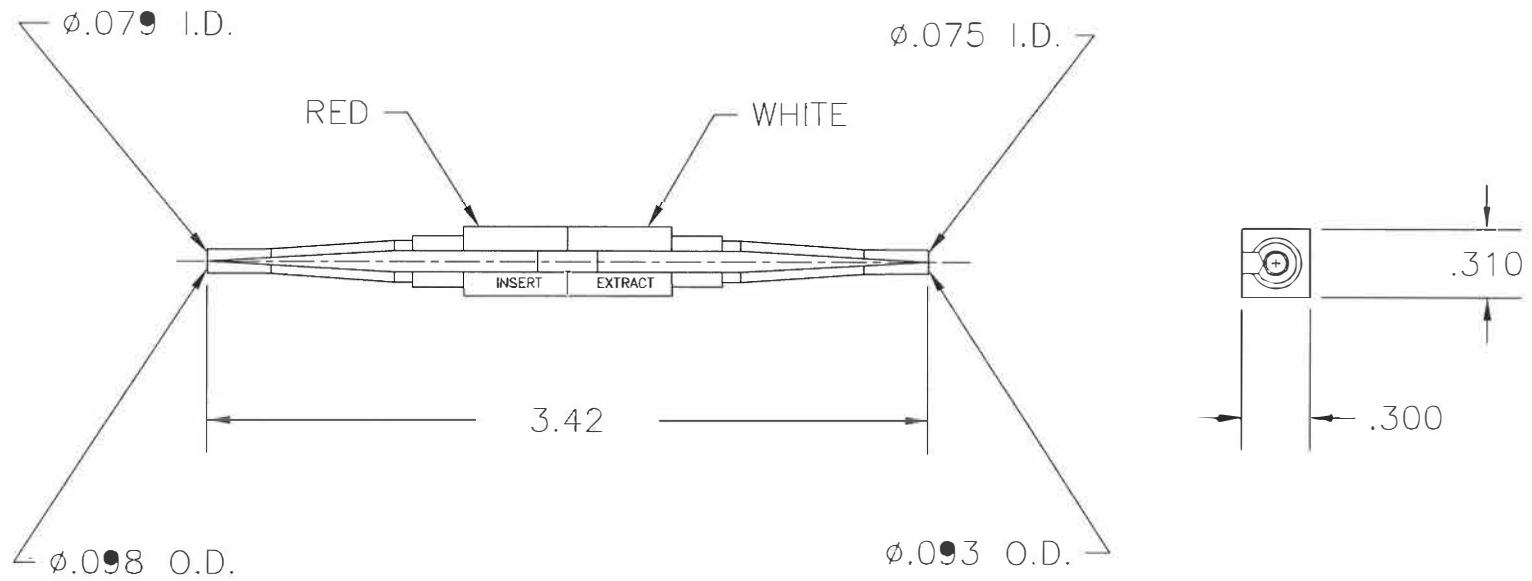


REVISIONS				
REV. SYM.	E.C.O. NUMBER	DESCRIPTION	BY DATE	APP'D DATE
1		ORIGINAL RELEASE	JWJ 1/5/00	RRR 1/5/00




**RESTRICTED & CONFIDENTIAL**

CONFIDENTIAL PROPERTY OF DANIELS MANUFACTURING CORP. NOT TO BE DISCLOSED TO OTHERS, REPRODUCED OR USED FOR ANY OTHER PURPOSE, EXCEPT AS AUTHORIZED IN WRITING BY DANIELS MANUFACTURING. MUST BE RETURNED TO DANIELS MANUFACTURING CORP. ON COMPLETION OF ORDER OR OTHER PURPOSE FOR WHICH LENT.

DO NOT SCALE DRAWING

MATERIAL	
HEAT TREAT	
FINISH	

ITEM	PART NO.	QTY.	DESCRIPTION/REMARKS
DRN. J. JOYCE			 <b>DANIELS MANUFACTURING CORP.</b> ORLANDO, FLORIDA CAGE 11851
CHK'D. RRR			
APP'D.			
APP'D.			
TITLE: <b>INSERTION/REMOVAL TOOL ENVELOPE DRAWING (MS27534-20)</b>			
NOTE: THIS DRAWING IS AN OUTLINE DRAWING OF THE RESPECTIVE DMC PART NUMBER INDICATED. ACTUAL DMC PART NUMBER IS DRAWING NUMBER WITHOUT THE "-ENV" SUFFIX.			
WHERE USED:		SIZE: A SCAL E: NTS POSTING:	CAD P/N: MS27534-20-ENV DWG. NO.: MS27534-20-ENV SHEET: 1 OF 1 REV.: 1

# Mouser Electronics

Authorized Distributor

Click to View Pricing, Inventory, Delivery & Lifecycle Information:

[Daniels Manufacturing:](#)

[M81969-14-02](#)