


REV. DATE	DESCRIPTION	MESSRS
REV. 01 REV. 02 REV. 03	SPECIFICATION 추가 - SBAG(R5) TYPE (1mA, 0~10 MΩ) 최대치에서 ∞ 사이 눈금치 삭제 CLASS : 1.0 (OPTION)	<p data-bbox="837 741 1422 837"> <b>INSULATION RESISTANCE METER</b>  <b>- MΩ METER -</b> </p> <p data-bbox="1235 1429 1477 1458">13 sheets with cover</p>
		<div data-bbox="815 1498 895 1547" style="display: inline-block;">  </div> <b>LUXCO CO., LTD.</b> #100, 3beon-gil, Hasinjungang-ro(980-17, Jangrim-dong) Saha-gu, Busan, Korea. TEL : +82-51-262-8588 FAX : +82-51-262-8538 <a href="http://www.luxco.co.kr">http://www.luxco.co.kr</a>
CLASS		
APPROVED BY		C. G. CHOI
CHECKED BY		M. S. KIM
DESIGNED BY		D. M. PARK
DATE		2016. 1. 13
DRAW No.		PDG1-1301

# CONTENTS

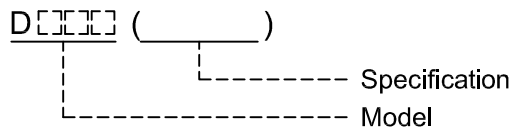
	<u>Sheet No.</u>
<b>1. GENERAL INFORMATION</b>	
GENERAL SPECIFICATIONS-----	02
ORDERING INFORMATION-----	02
<b>2. DIMENSION</b>	
D110A ( 110 x 110 ) -----	03
D80A ( 80 x 80 ) -----	04
D96A, D96B ( 96 x 96 ) -----	05
D72A ( 72 x 72 ) -----	06
<b>3. SPECIFICATION</b>	
1mA, 0~5M $\Omega$ -----	07
1mA, 0~10M $\Omega$ -----	08
1mA, 0~50M $\Omega$ -----	09
1mA, 0~1000M $\Omega$ -----	10
250 $\mu$ A, 0~1M $\Omega$ -----	11
250 $\mu$ A, 0~10M $\Omega$ -----	12

## GENERAL INFORMATION

### ■ GENERAL SPECIFICATIONS

- 1) Operating Temperature : -10°C ~ 55°C
- 2) Humidity : 80% RH
- 3) Operating Principle : Moving coil type
- 4) "0 MΩ" setting VR : Inclusion
- 5) Moving Method : Pivot & the spring-mounted jewel
- 6) Dielectric Strength : Between electric circuit and case 2000V, 1min.
- 7) Insulation Resistance : Between electric circuit and case 10MΩ

### ■ ORDERING INFORMATION

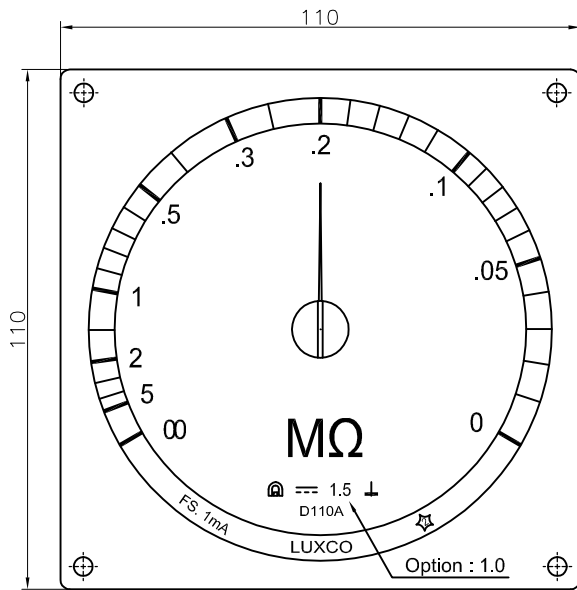


Model	Size	Scale
D110A	110 x 110	250°
D80A	80 x 80	250°
D96A	96 x 96	90°
D96B	96 x 96	250°
D72A	72 x 72	90°

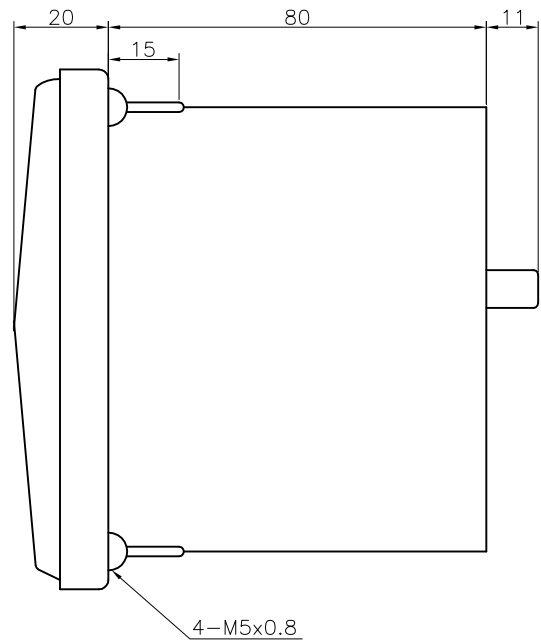
Specification		Applicable Ground Monitor Model
F.S.	Range(MΩ)	
1mA	0 ~ 5	SBAG - 102 / 202 / 402 SBAG - 102A / 202A / 402A ISA690A1 / ISA690A2 / ISA690M1 / ISA690M2
	0 ~ 10	SBAG - 102(R5) / 202(R5) / 402(R5)
	0 ~ 50	SBAG - 102(R2) / 202(R2) / 402(R2) SBAG - 102A(R2) / 202A(R2) / 402A(R2) ISA690A1(R2) / ISA690A2(R2)
	0 ~ 1000	SBAG - 102M / 202M / 402M ISA690MH1 / ISA690MH2 ISAH6600 - 1 / 2 , ISAH6600M - 1 / 2
250μA	0 ~ 1	ISD24L / ISD48L
	0 ~ 10	ISD125L / ISD250L

DIMENSION ( D110A )

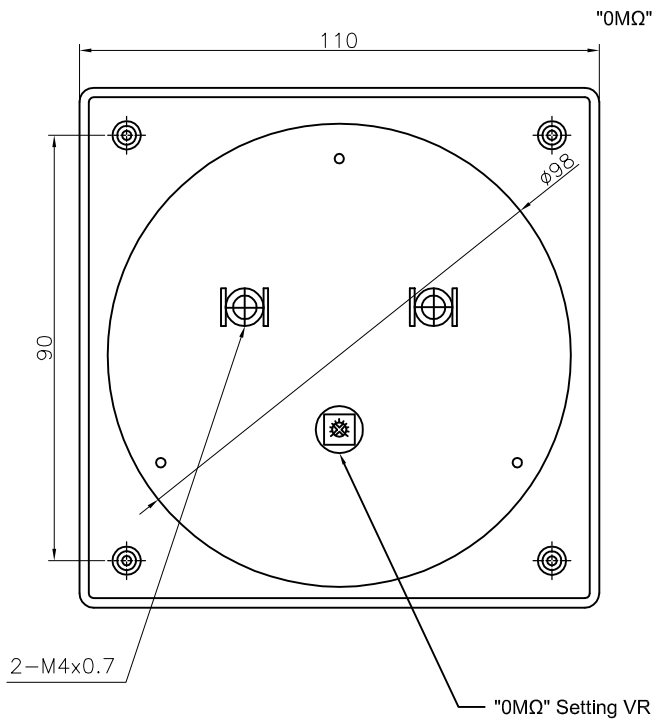
- FRONT VIEW



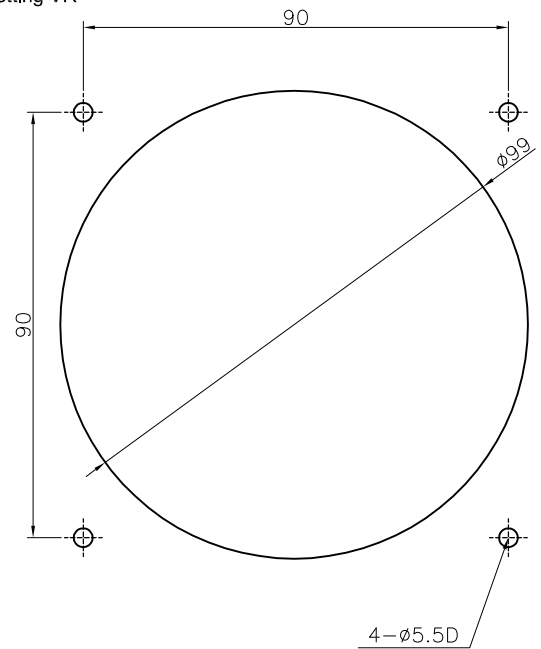
- SIDE VIEW



- REAR VIEW

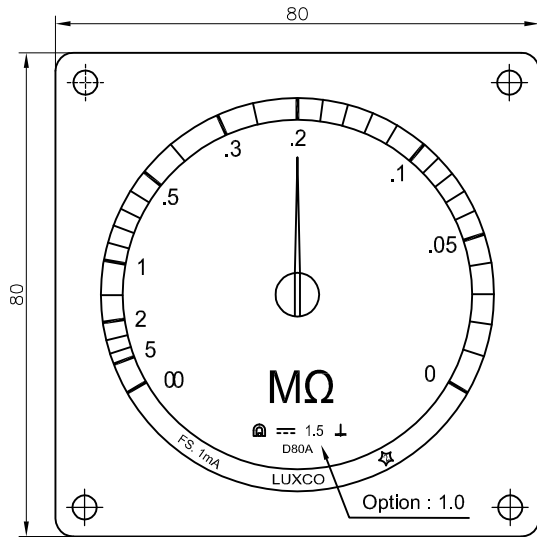


"0MΩ" Setting VR

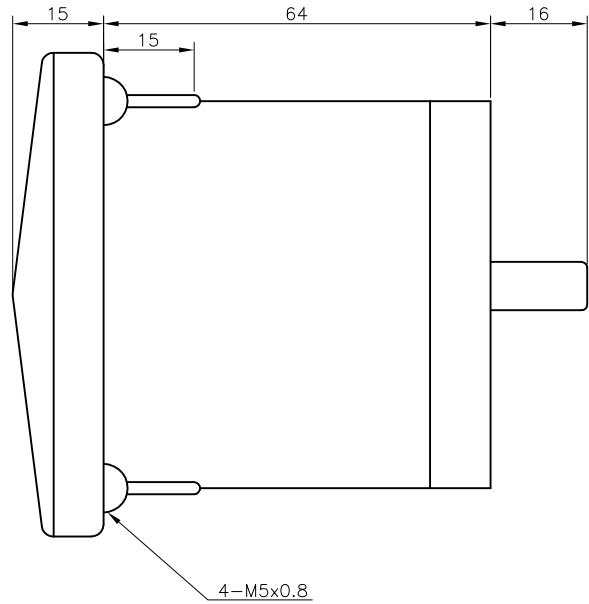


# DIMENSION ( D80A )

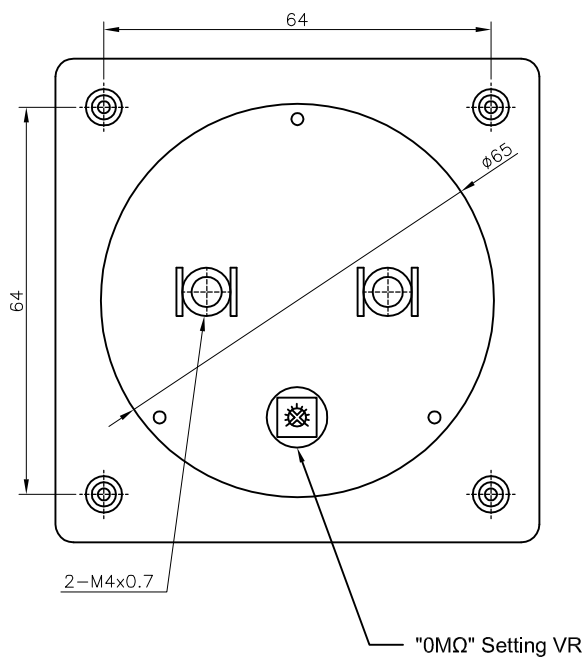
- FRONT VIEW



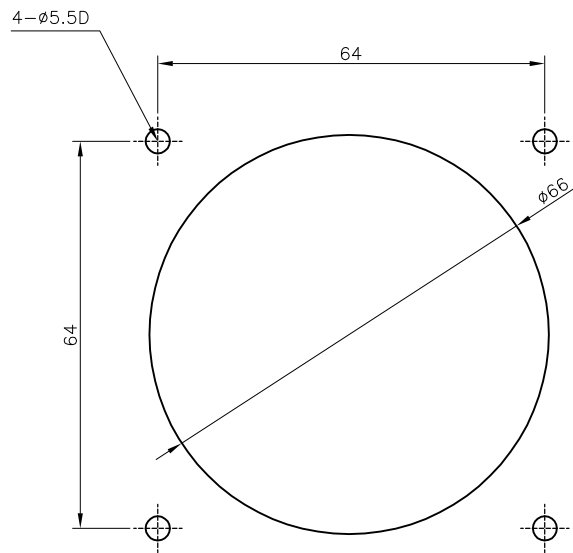
- SIDE VIEW



- REAR VIEW

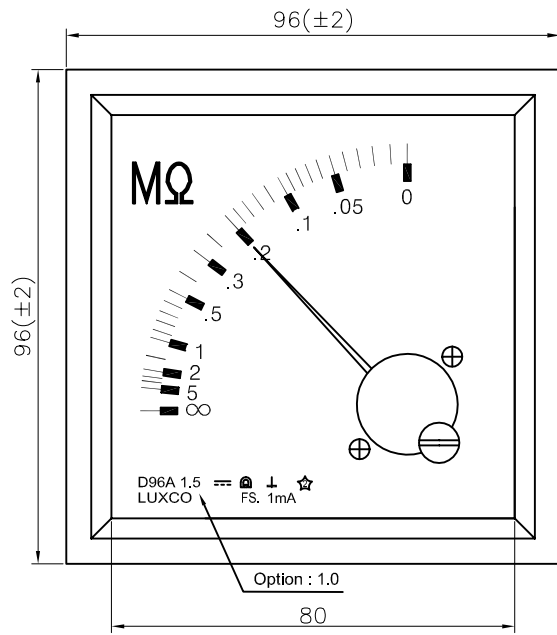


- CUTTING SIZE

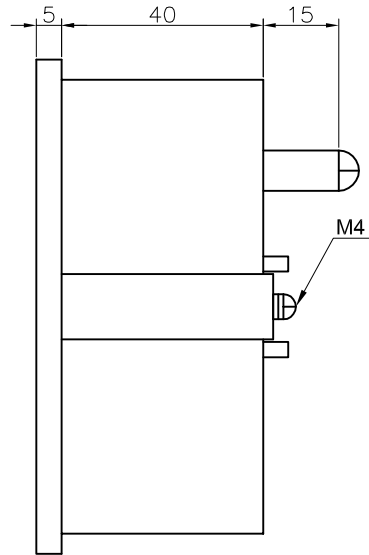


DIMENSION ( D96A, D96B )

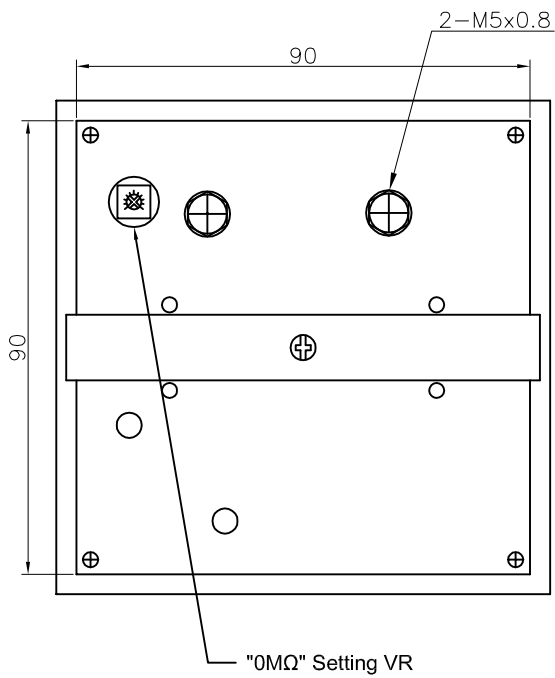
- FRONT VIEW



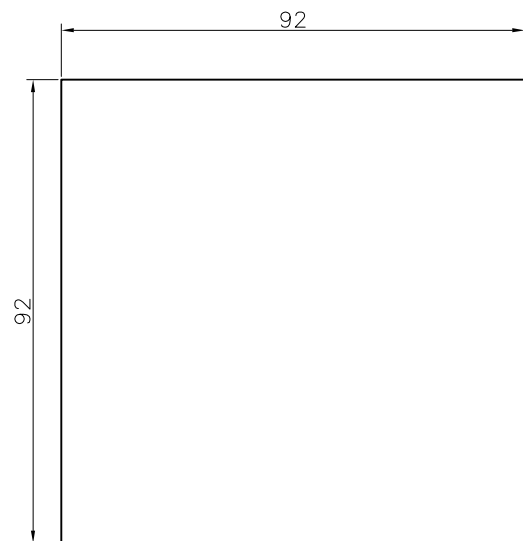
- SIDE VIEW



- REAR VIEW

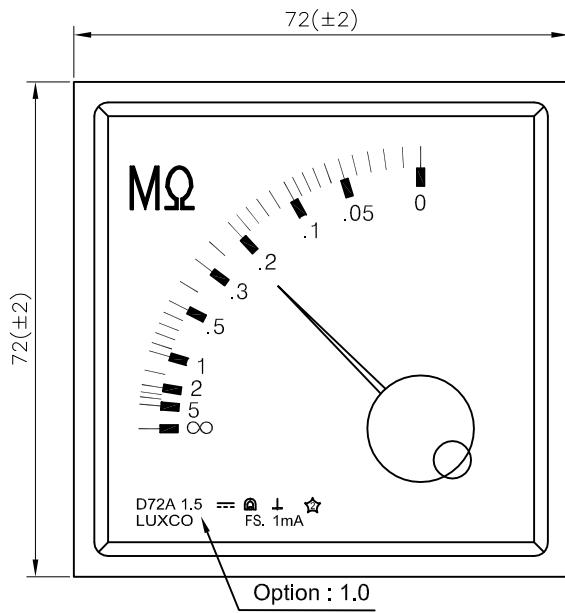


- CUTTING SIZE

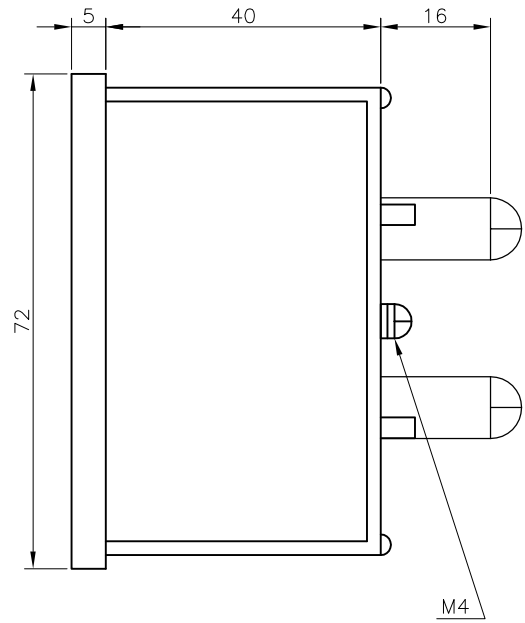


# DIMENSION ( D72A )

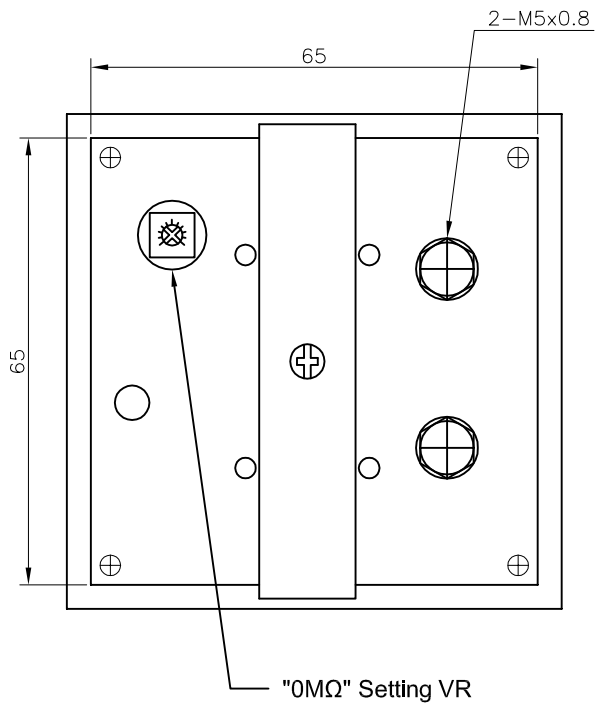
- FRONT VIEW



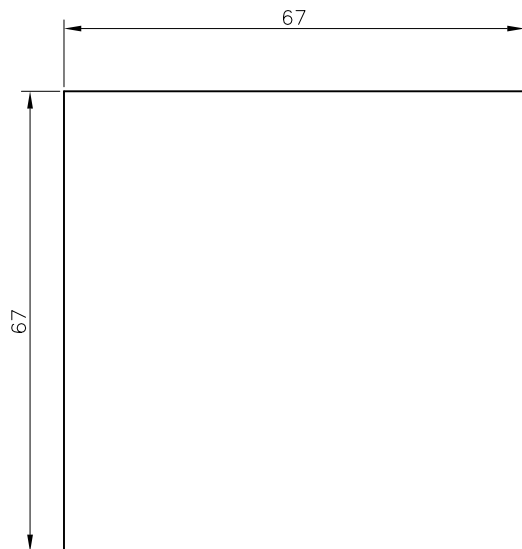
- SIDE VIEW



- REAR VIEW



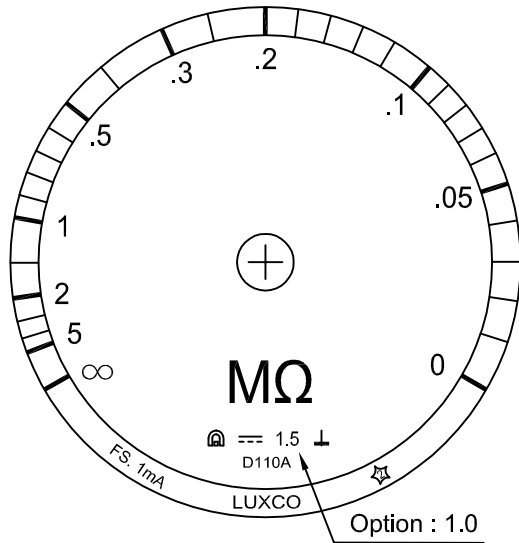
- CUTTING SIZE



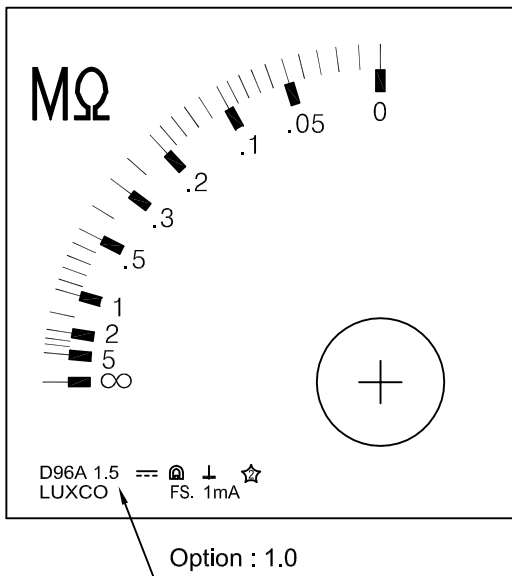
**SPECIFICATION ( 1mA, 0 ~ 5 MΩ )**

■ **SCALE**

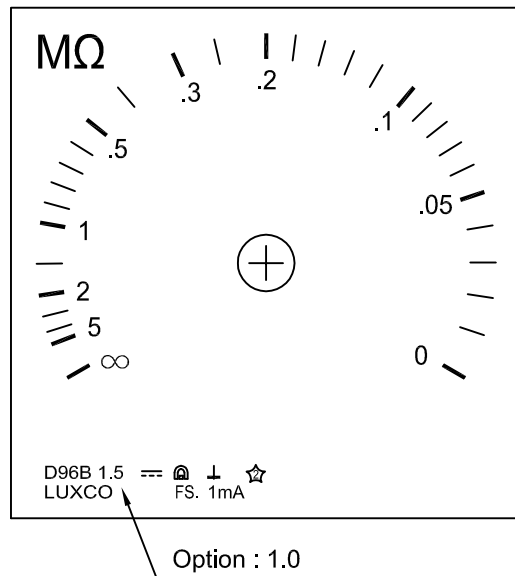
- D110A & D80A



- D96A & D72A



- D96B



■ **APPLICABLE GROUND MONITOR MODEL**

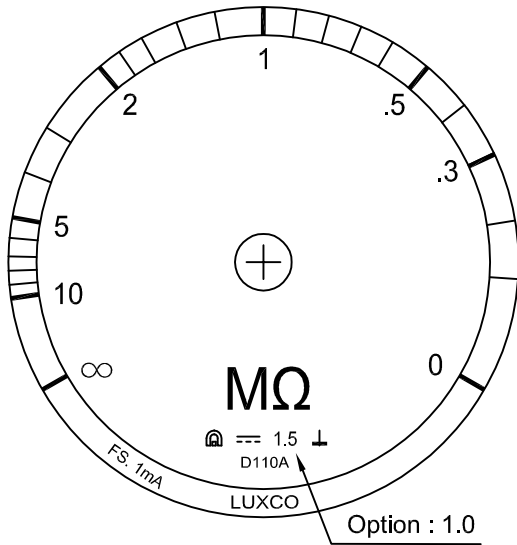
- SBAG-102 / 202 / 402
- SBAG-102A / 202A / 402A
- ISA690A1 / ISA690A2
- ISA690M1 / ISA690M2



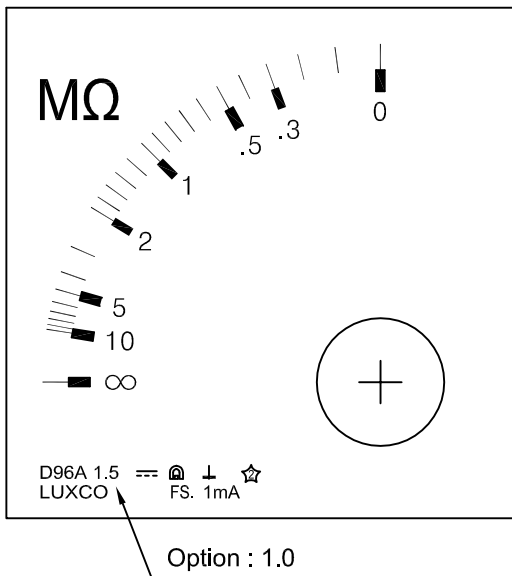
**SPECIFICATION ( 1mA, 0 ~ 10 MΩ )**

■ **SCALE**

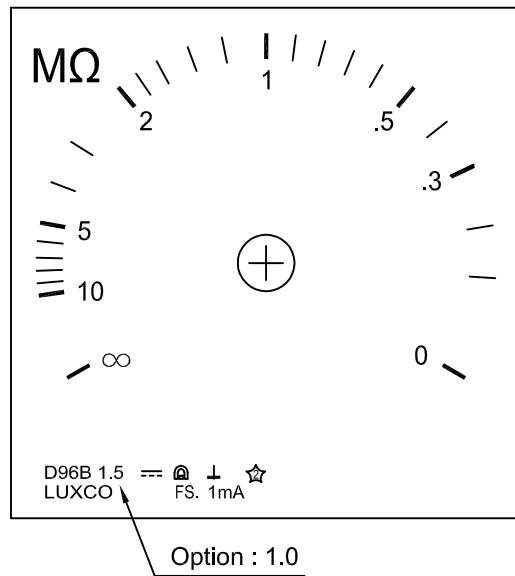
- D110A & D80A



- D96A & D72A



- D96B



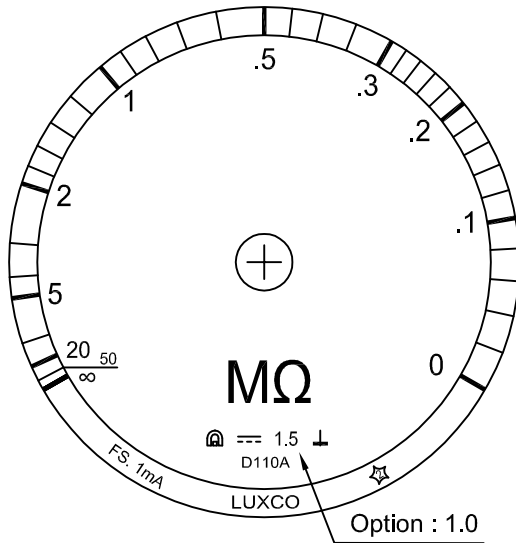
■ **APPLICABLE GROUND MONITOR MODEL**

- SBAG-102(R5) / 202(R5) / 402(R5)

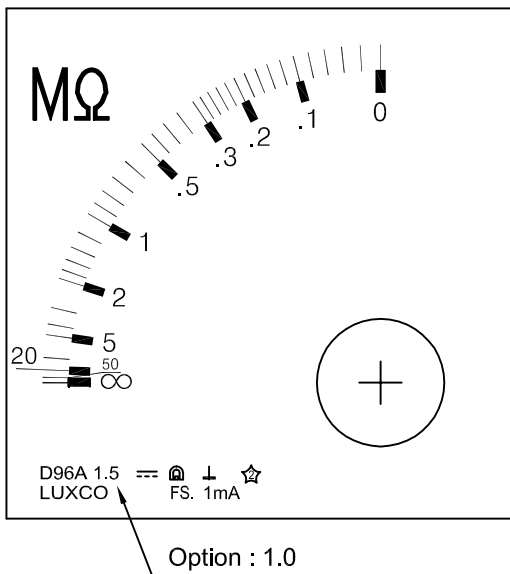
**SPECIFICATION ( 1mA, 0 ~ 50 MΩ )**

■ **SCALE**

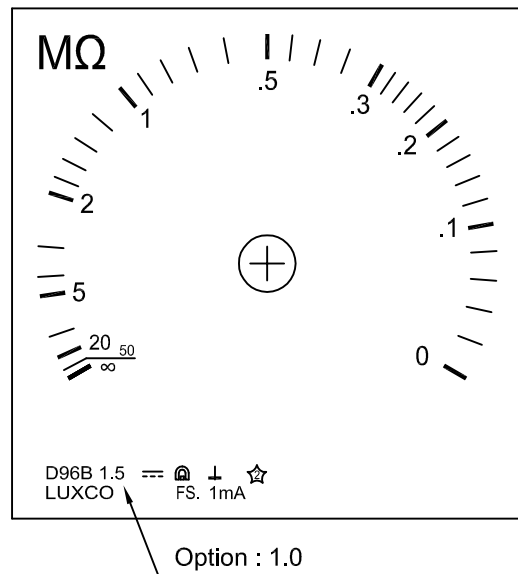
- D110A & D80A



- D96A & D72A



- D96B



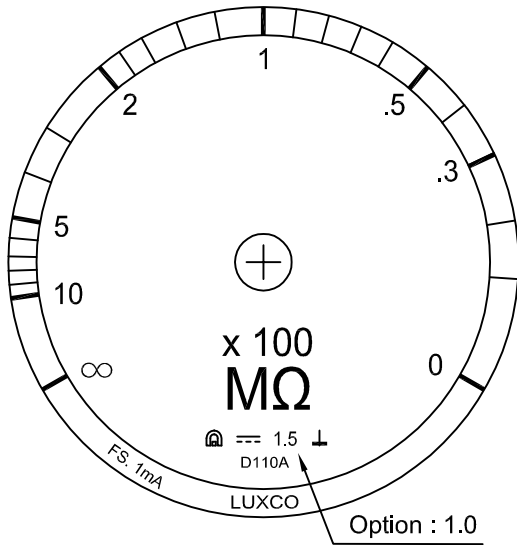
■ **APPLICABLE GROUND MONITOR MODEL**

- SBAG-102(R2) / 202(R2) / 402(R2)
- SBAG-102A(R2) / 202A(R2) / 402A(R2)
- ISA690A1(R2) / ISA690A2(R2)

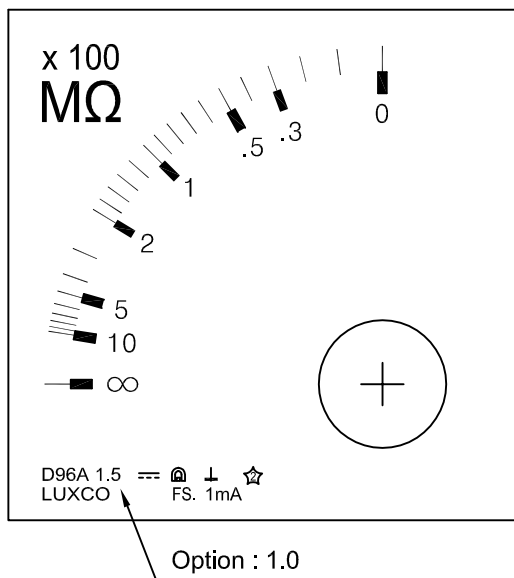
**SPECIFICATION ( 1mA, 0 ~ 1000 MΩ )**

■ **SCALE**

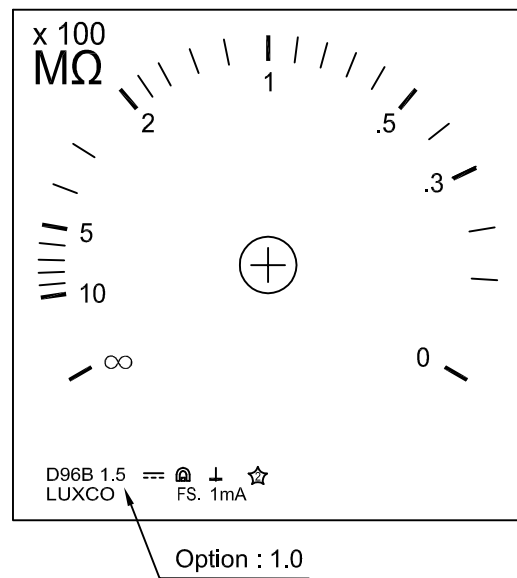
- D110A & D80A



- D96A & D72A



- D96B



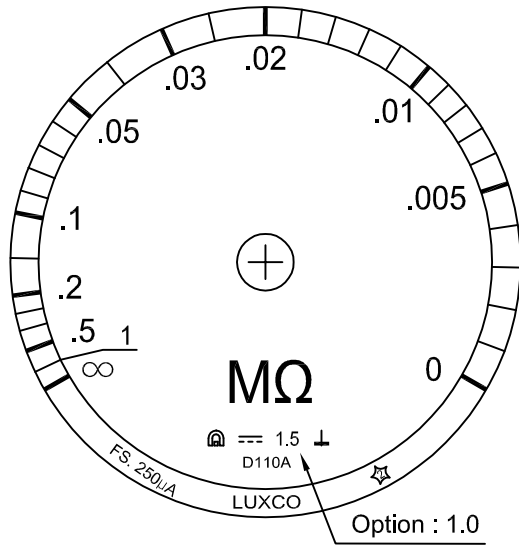
■ **APPLICABLE GROUND MONITOR MODEL**

- SBAG-102M / 202M / 402M
- ISA690MH1 / ISA690MH2
- ISAH6600-1 / 2, ISAH6600M-1 / 2

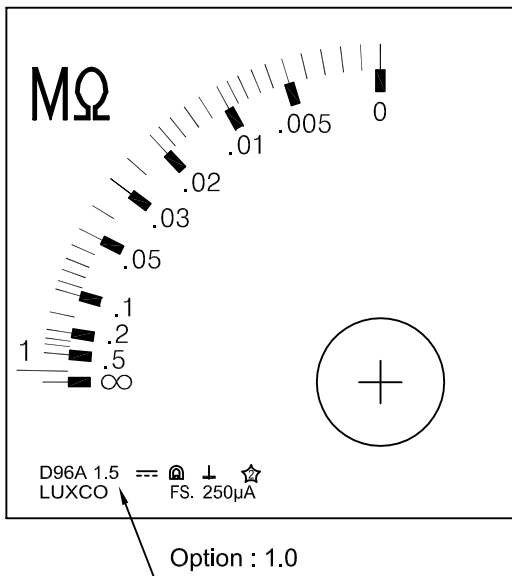
**SPECIFICATION ( 250 $\mu$ A, 0 ~ 1 M $\Omega$  )**

■ **SCALE**

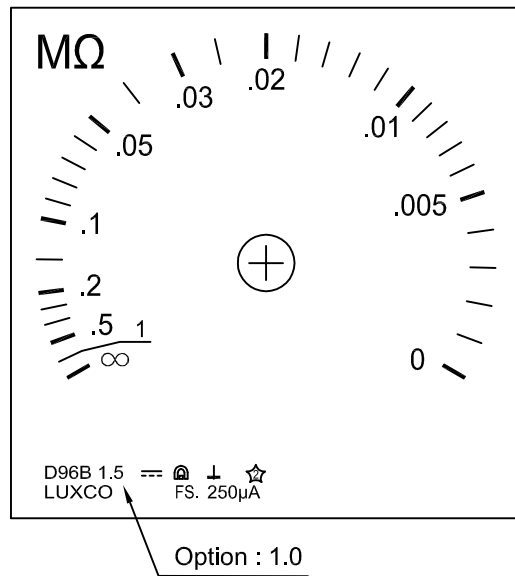
- D110A & D80A



- D96A & D72A



- D96B



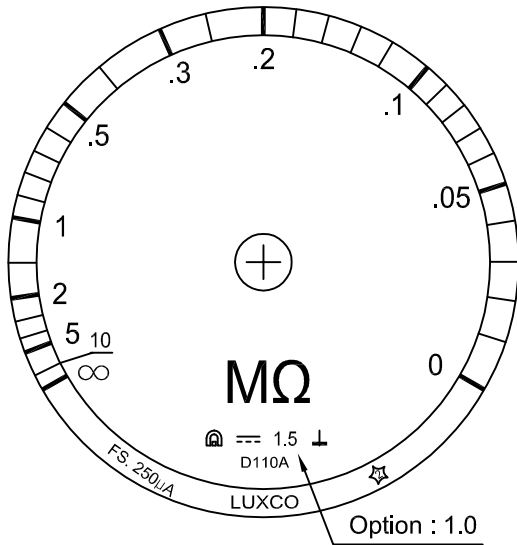
■ **APPLICABLE GROUND MONITOR MODEL**

- ISD24L / ISD48L

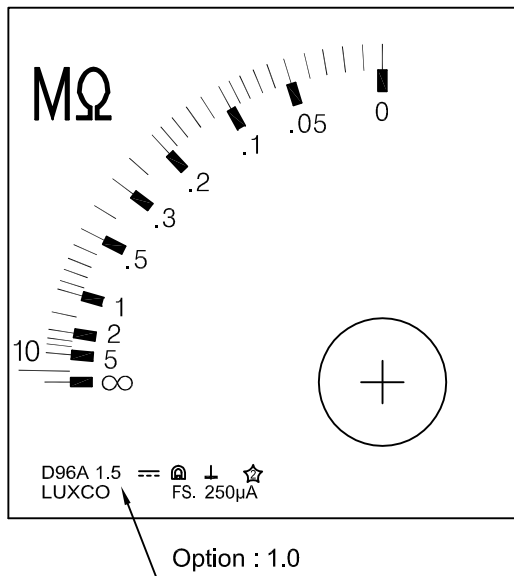
**SPECIFICATION ( 250 $\mu$ A, 0 ~ 10 M $\Omega$  )**

■ **SCALE**

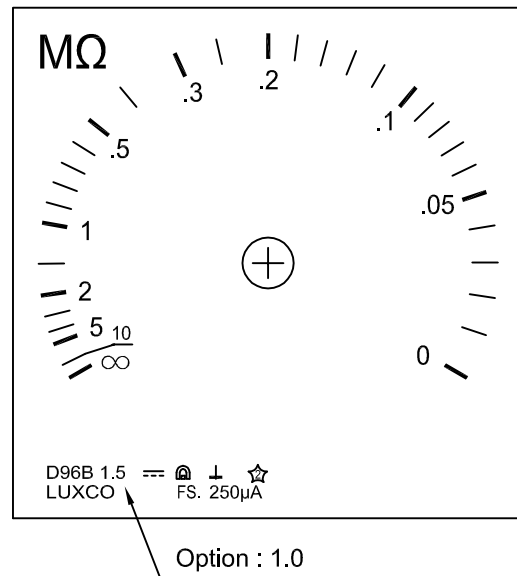
- D110A & D80A



- D96A & D72A



- D96B



■ **APPLICABLE GROUND MONITOR MODEL**

- ISD125L / ISD250L